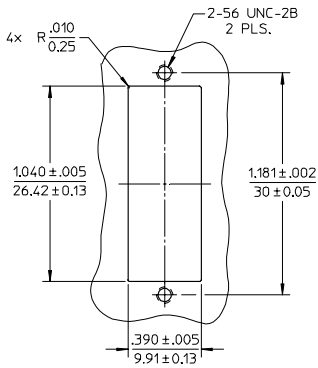
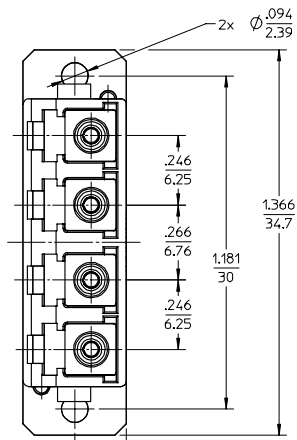
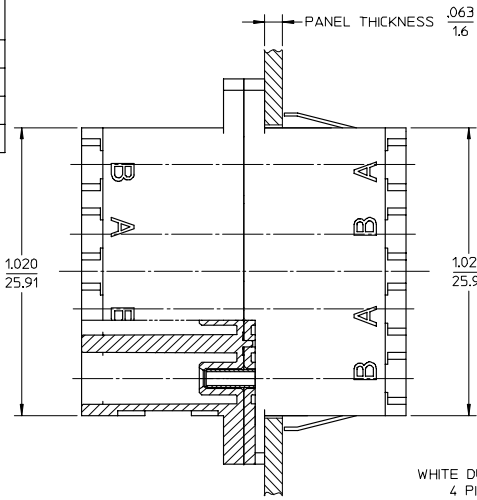
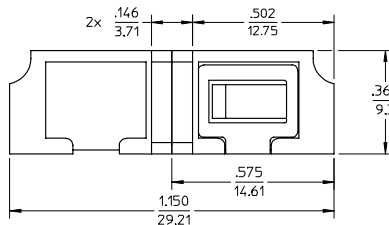


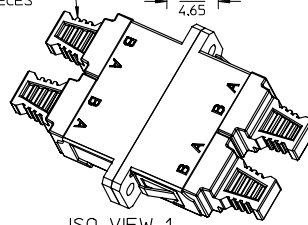
LC QUAD ADAPTER P/N	LC QUAD ADAPTER COLOR	SPLIT SLEEVE MATERIAL
106123-0100	BLUE	ZR
106123-1100	BEIGE	PHOSPHOR BRONZE
106123-2100	GREEN	ZR
106123-3100	AQUA	PHOSPHOR BRONZE



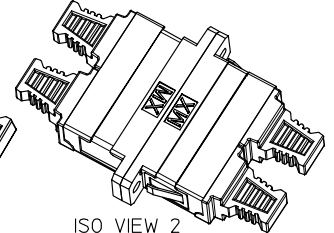
RECOMMENDED
MOUNTING PATTERN
SCALE 2:1



WHITE DUST CAP
4 PIECES



ISO VIEW 1
SCALE 15:1



ISO VIEW 2
SCALE 15:1

- NOTES:
- ALL DIMENSIONS ARE FOR REFERENCE.
 - DUST CAPS NOT SHOWN ON FRONT, BOTTOM AND RIGHT VIEW.
 - LC QUAD ADAPTER HAS SC DUPLEX ADAPTER FOOTPRINT.

ENTER DESCRIPTION EC NO: MF2006-0357 DRAWN: PGIBLIN 2005/11/06 CHKD: 2005/11/06 APPR: GIBLIN 2005/11/06 REV A	QUALITY SYMBOLS ▽=0 ▽=0	GENERAL TOLERANCES (UNLESS SPECIFIED)	DIMENSION STYLE IN/MM	SCALE 3:1	DESIGN UNITS INCH	THIRD ANGLE PROJECTION	
	4 PLACES ± --- ± --- 3 PLACES ± --- ± --- 2 PLACES ± --- ± --- 1 PLACE ± --- ± ---	mm INCH ± --- ± --- ± --- ± --- ± --- ± --- ± --- ± ---	DRAWN BY PGIBLIN 2005/11/21	DATE DATE	TITLE LC QUAD ADAPTER (SCREW AND SNAP MOUNT)		
	ANGULAR ± --- °	DRAFT WHERE APPLICABLE MUST REMAIN WITHIN DIMENSIONS	APPROVED BY DATE	MATERIAL NO. SEE TABLE	DOCUMENT NO. SD-106123-X100	MOLEX INCORPORATED	
	SIZE B	THIS DRAWING CONTAINS INFORMATION THAT IS PROPRIETARY TO MOLEX INCORPORATED AND SHOULD NOT BE USED WITHOUT WRITTEN PERMISSION			SHEET NO. 1 OF 1		