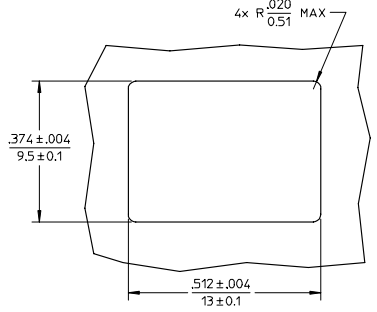
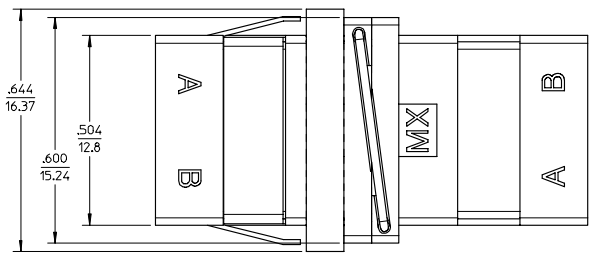
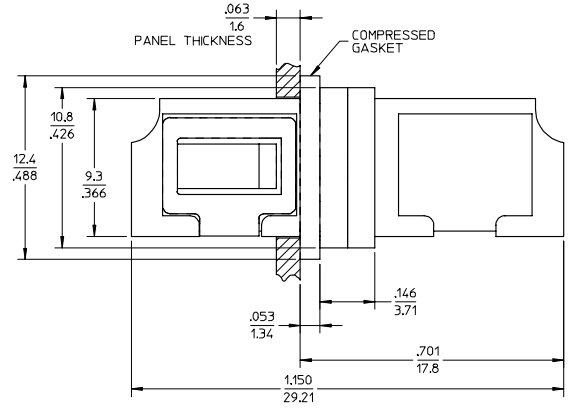
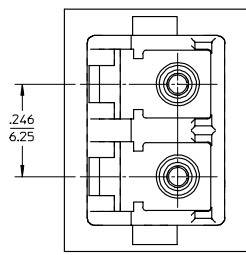
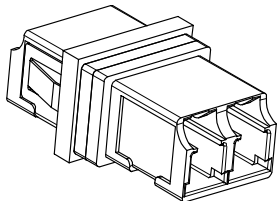


106115

ADAPTER P/N	SPLIT SLEEVE MATERIAL
106115-2100	Zr
106115-2106	Ph. Bronze



RECOMMENDED PANEL CUTOUT
PANEL THICKNESS - 1.6mm/.063"



- NOTES:
- ALL DIMENSIONS ARE FOR REFERENCE ONLY.
 - CONDUCTIVE FABRIC OVER FOAM GASKET IS SUPPLIED WITH PART.
 - PART IS DIECAST.
 - DUST CAPS NOT SHOWN.
 - ADAPTERS TO BE PACKAGED IN TRAY.

ENTER DESCRIPTION EC NO: MF2007-0628 DRAWN: GIMIN 2007/04/16 CHKD: GIMIN 2007/04/16 APPR: GIMIN 2007/04/16 REV:	QUALITY SYMBOLS	GENERAL TOLERANCES (UNLESS SPECIFIED) <table border="1"> <tr> <th></th> <th>mm</th> <th>INCH</th> </tr> <tr> <td>4 PLACES</td> <td>± .005</td> <td>± .0005</td> </tr> <tr> <td>3 PLACES</td> <td>± .004</td> <td>± .0004</td> </tr> <tr> <td>2 PLACES</td> <td>± .003</td> <td>± .0003</td> </tr> <tr> <td>1 PLACE</td> <td>± .002</td> <td>± .0002</td> </tr> </table> ANGULAR ±1/2° DRAFT WHERE APPLICABLE MUST REMAIN WITHIN DIMENSIONS		mm	INCH	4 PLACES	± .005	± .0005	3 PLACES	± .004	± .0004	2 PLACES	± .003	± .0003	1 PLACE	± .002	± .0002	DIMENSION STYLE IN/MM DRAWN BY PGIBLIN DATE 2005/12/08 CHECKED BY DATE APPROVED BY DATE	SCALE 4:1 DESIGN UNITS INCH THIRD ANGLE PROJECTION	TITLE LC-D EMI ADAPTER, (SNAP MOUNT)
			mm	INCH																
	4 PLACES		± .005	± .0005																
	3 PLACES		± .004	± .0004																
2 PLACES	± .003	± .0003																		
1 PLACE	± .002	± .0002																		
MOLEX INCORPORATED	MATERIAL NO. SEE TABLE	DOCUMENT NO. SD-106115-210X	SHEET NO. 1 OF 1																	
THIS DRAWING CONTAINS INFORMATION THAT IS PROPRIETARY TO MOLEX INCORPORATED AND SHOULD NOT BE USED WITHOUT WRITTEN PERMISSION																				