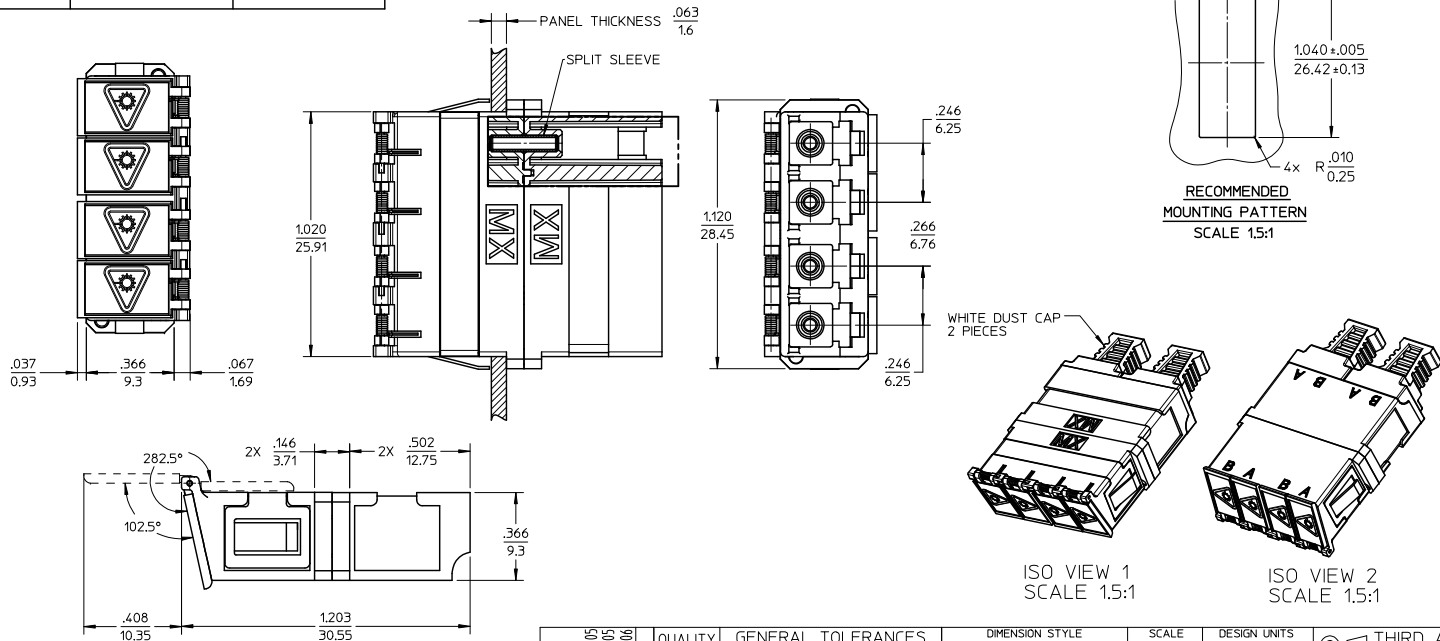


10	8	7	6	5	4	3	2	106123
LC QUAD ADAPTER P/N	LC QUAD ADAPTER COLOR	SPLIT SLEEVE MATERIAL						
106123-0450	BLUE	ZR						
106123-1450	BEIGE	PHOSPHOR BRONZE						
106123-3450	AQUA	PHOSPHOR BRONZE						
106123-2430	GREEN	ZR						



- NOTES:
1. ALL DIMENSIONS ARE FOR REFERENCE.
 2. DUST CAPS NOT SHOWN ON FRONT, BOTTOM AND RIGHT VIEW.
 3. LC QUAD ADAPTER HAS SC DUPLEX ADAPTER FOOTPRINT.

ENTER DESCRIPTION EC NO: MF2009-0447 DRAWN: BIEDNYAK 2009/03/05 CHKD: 2009/03/05 APPR: LIGUMIN 2009/03/06	QUALITY SYMBOLS ▽=0 ▽=0	GENERAL TOLERANCES (UNLESS SPECIFIED)		DIMENSION STYLE IN/MM	SCALE 2.5:1	DESIGN UNITS INCH	THIRD ANGLE PROJECTION
		4 PLACES ± --- ± --- 3 PLACES ± --- ± --- 2 PLACES ± --- ± --- 1 PLACE ± --- ± ---	mm INCH	DRAWN BY DATE LKATARZIENE 8.22.07	TITLE LC QUAD ADAPTER WITH SHUTTERS SMALL FLANGE SNAP MOUNT		
		ANGULAR ±1/2°		CHECKED BY DATE APPROVED BY DATE	MOLEX INCORPORATED		
		DRAFT WHERE APPLICABLE MUST REMAIN WITHIN DIMENSIONS		MATERIAL NO. 1061230450	DOCUMENT NO. SD-106123-0450	SHEET NO. 1 OF 1	
		THIS DRAWING CONTAINS INFORMATION THAT IS PROPRIETARY TO MOLEX INCORPORATED AND SHOULD NOT BE USED WITHOUT WRITTEN PERMISSION					