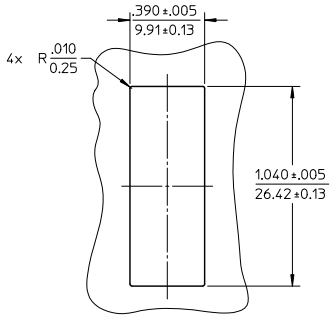
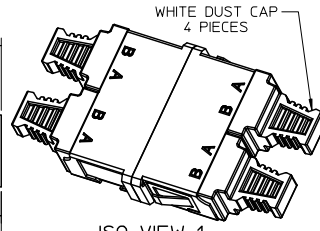
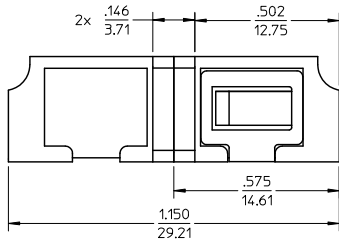
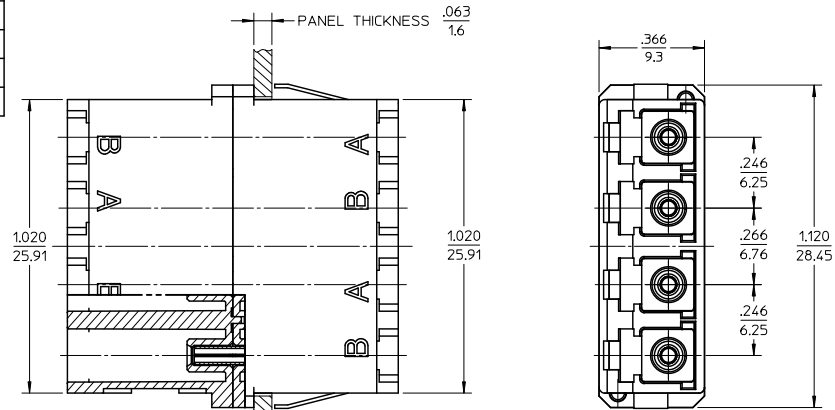


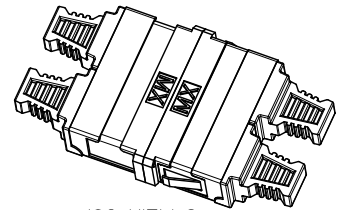
LC QUAD ADAPTER P/N	LC QUAD ADAPTER COLOR	SPLIT SLEEVE MATERIAL
106123-0300	BLUE	ZR
106123-1300	BEIGE	PHOSPHOR BRONZE
106123-2300	GREEN	ZR
106123-3300	AQUA	PHOSPHOR BRONZE
106123-1350	BLUE	PHOSPHOR BRONZE



RECOMMENDED MOUNTING PATTERN SCALE 2:1



ISO VIEW 1 SCALE 1.5:1



ISO VIEW 2 SCALE 1.5:1

- NOTES:
- ALL DIMENSIONS ARE FOR REFERENCE.
  - DUST CAPS NOT SHOWN ON FRONT, BOTTOM AND RIGHT VIEW.
  - LC QUAD ADAPTER HAS SC DUPLEX ADAPTER FOOTPRINT.

ENTER DESCRIPTION EC NO: MF2010-0392 DRAWN BY: ZVNER CHKD: 2010/03/16 APPR: LGUMIN 2010/03/17 A1	QUALITY SYMBOLS ▽=0 ▽=0	GENERAL TOLERANCES (UNLESS SPECIFIED)		DIMENSION STYLE IN/MM		SCALE 3:1	DESIGN UNITS INCH	THIRD ANGLE PROJECTION															
		<table border="1"> <tr> <th></th> <th>mm</th> <th>INCH</th> </tr> <tr> <td>4 PLACES</td> <td>± .---</td> <td>± .---</td> </tr> <tr> <td>3 PLACES</td> <td>± .---</td> <td>± .---</td> </tr> <tr> <td>2 PLACES</td> <td>± .---</td> <td>± .---</td> </tr> <tr> <td>1 PLACE</td> <td>± .---</td> <td>± .---</td> </tr> </table>			mm	INCH	4 PLACES	± .---	± .---	3 PLACES	± .---	± .---	2 PLACES	± .---	± .---	1 PLACE	± .---	± .---	DRAWN BY PGIBLIN DATE 2005/11/21		TITLE		
			mm	INCH																			
		4 PLACES	± .---	± .---																			
3 PLACES	± .---	± .---																					
2 PLACES	± .---	± .---																					
1 PLACE	± .---	± .---																					
DRAFT WHERE APPLICABLE MUST REMAIN WITHIN DIMENSIONS		CHECKED BY DATE		LC QUAD ADAPTER SMALL FLANGE SNAP MOUNT																			
APPROVED BY LGUMIN DATE 2010/03/16		MATERIAL NO. SEE TABLE		DOCUMENT NO. SD-106123-X300		MOLEX INCORPORATED		SHEET NO. 1 OF 1															