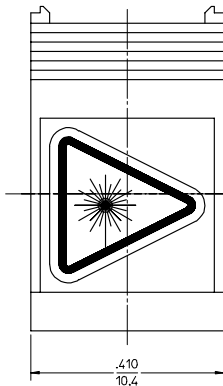
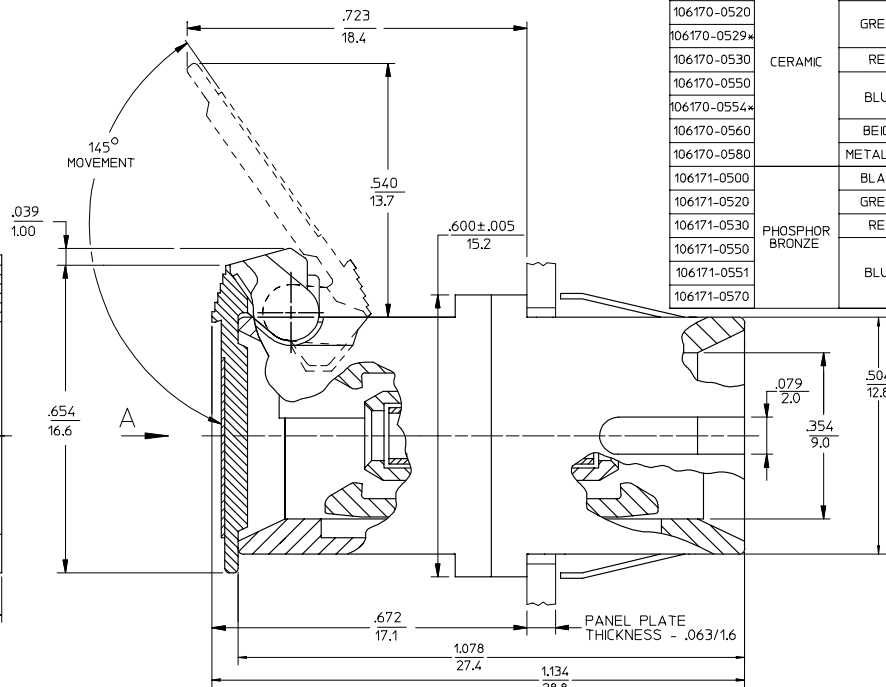


VIEW A
VERSION 2



VIEW A
VERSION 1



106170			
ADAPTER P/N	SPLIT SLEEVE MATERIAL	ADAPTER COLOR	METALIZED SHIELD
106170-0500	CERAMIC	BLACK	NO
106170-0520		GREEN	
106170-0529*		RED	
106170-0530		BLUE	
106170-0550		BEIGE	
106170-0560		METALIZED	
106171-0500	PHOSPHOR BRONZE	BLACK	NO
106171-0520		GREEN	
106171-0530		RED	
106171-0550		BLUE	
106171-0551			
106171-0570			YES

- NOTES:
1. LABEL MUST BE INSTALLED AND ORIENTED BY CUSTOMER (SEE VIEW A).
 2. DUST CAP IS NOT SHOWN, BUT INCLUDED.
 - *3. P/NS 106170-0529, 106170-0554, AND 106171-0551 ARE BULK PACKED IN QUANTITIES OF 100 PCS.

ENTER DESCRIPTION EC NO: MF2008-0173 DRAWN: SZENCZYK 2007/10/25 CHKD: 2007/10/25 APPR: GUMIN 2007/10/25	QUALITY SYMBOLS	GENERAL TOLERANCES (UNLESS SPECIFIED)	DIMENSION STYLE	SCALE	DESIGN UNITS	THIRD ANGLE PROJECTION															
	$\nabla=0$ $\sphericalangle=0$	<table border="1"> <tr> <th></th> <th>mm</th> <th>INCH</th> </tr> <tr> <td>4 PLACES</td> <td>± .125</td> <td>± .005</td> </tr> <tr> <td>3 PLACES</td> <td>± .150</td> <td>± .006</td> </tr> <tr> <td>2 PLACES</td> <td>± .175</td> <td>± .007</td> </tr> <tr> <td>1 PLACE</td> <td>± .200</td> <td>± .008</td> </tr> </table>		mm	INCH	4 PLACES	± .125	± .005	3 PLACES	± .150	± .006	2 PLACES	± .175	± .007	1 PLACE	± .200	± .008	IN/MM	5:1	INCH	
		mm	INCH																		
	4 PLACES	± .125	± .005																		
3 PLACES	± .150	± .006																			
2 PLACES	± .175	± .007																			
1 PLACE	± .200	± .008																			
DRAFT WHERE APPLICABLE MUST REMAIN WITHIN DIMENSIONS	DRAWN BY: RPACIFIC1 DATE: 2005/10/13 CHECKED BY: DATE:	APPROVED BY: DATE:	TITLE: SC ADAPTER, SMALL FLANGE WITH SHUTTER	MOLEX INCORPORATED	SHEET NO. 1 OF 01																
REV			MATERIAL NO.	DOCUMENT NO.																	
			SIZE B	SEE TABLE	SD-1061XX-05X0																
THIS DRAWING CONTAINS INFORMATION THAT IS PROPRIETARY TO MOLEX INCORPORATED AND SHOULD NOT BE USED WITHOUT WRITTEN PERMISSION																					