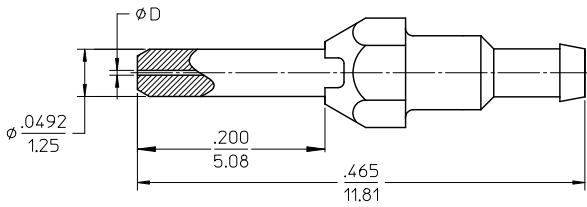
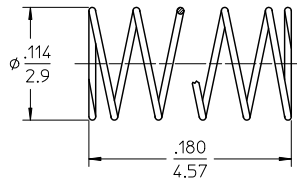


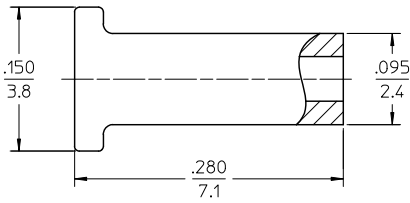
P/N	ØD in [mm]
106073-0022	.0049 [0.1255]
106073-0027	.0050 [0.126]



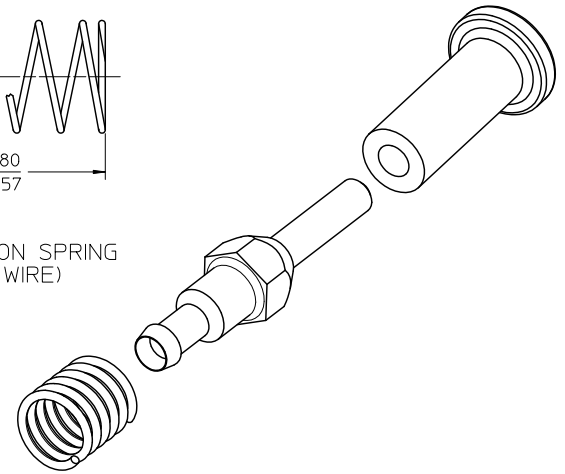
LC PLUG, METAL BODY
(ZIRCONIA CERAMIC FERRULE)



COMPRESSION SPRING
(MUSIC WIRE)



DUST CAP



ISOMETRIC VIEW
SCALE 8:1

NOTES:

1. ALL DIMENSIONS ARE FOR REFERENCE ONLY.
2. ALL PARTS ARE PACKED IN ONE BAG - 1 KIT PER BAG.
3. ALL PLASTIC MATERIALS ARE UL-94 V-0 RATED.

ENTER DESCRIPTION EC NO: MF2010-0576 DRAWN BY: BEDNYAK CHKD: 2010/06/29 APPR: MCHEN 2010/06/29	QUALITY SYMBOLS ▽=0 ▽=0	GENERAL TOLERANCES (UNLESS SPECIFIED)		DIMENSION STYLE IN/MM	SCALE 10:1	DESIGN UNITS INCH	THIRD ANGLE PROJECTION		
		4 PLACES ± --- ± --- 3 PLACES ± --- ± --- 2 PLACES ± --- ± --- 1 PLACE ± --- ± ---	mm INCH	DRAWN BY KP	DATE 01/25/2006	TITLE SNAP MATE PLUG (SM) AND COMPRESSION SPRING KIT			
		ANGULAR ±1/2°		CHECKED BY	DATE	APPROVED BY IGUMIN			
		DRAFT WHERE APPLICABLE MUST REMAIN WITHIN DIMENSIONS		MATERIAL NO. SEE TABLE	DATE 2010/03/18	MOLEX INCORPORATED		DOCUMENT NO. SD-106073-0022	SHEET NO. 1 OF 1
THIS DRAWING CONTAINS INFORMATION THAT IS PROPRIETARY TO MOLEX INCORPORATED AND SHOULD NOT BE USED WITHOUT WRITTEN PERMISSION									