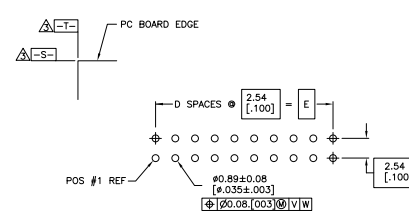
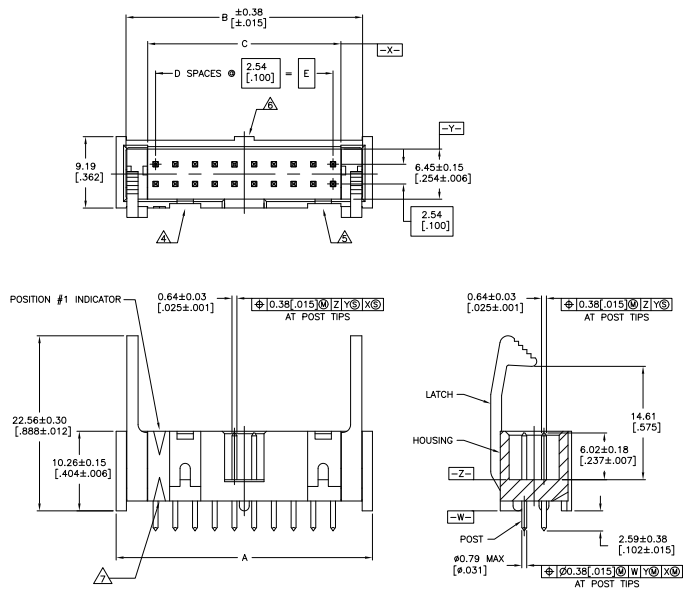


THIS DRAWING IS UNAPPROVED FOR PRODUCTION
 ALL RIGHTS RESERVED

REV	DATE	DESCRIPTION	BY	CHK	APP
00		REVISED PER EDD-11-004835			



RECOMMENDED PC BOARD LAYOUT
 (VIEWED FROM CONNECTOR SIDE)

- △ HOUSING: PBT, UL94V-0, COLOR (SEE TABLE).
- POSTS: PHOSPHOR BRONZE.
- LATCHES: ZINC ALLOY.
- △ POSTS: GOLD FLASH OVER PALLADIUM-NICKEL PLATE, 0.76µm[.000030] MIN TOTAL ON MATING AREA, 2.54µm[.000100] MIN TIN PLATE ON SOLDER-TAIL, ALL OVER 1.27µm[.000050] MIN NICKEL UNDERPLATE ON ENTIRE POST.
- OR
- 0.76µm[.000030] MIN GOLD PLATE ON MATING AREA, 2.54µm[.000100] MIN TIN PLATE ON THE SOLDER-TAIL, 1.27µm[.000050] MIN NICKEL UNDERPLATE ON THE ENTIRE POST.
- LATCHES: BLACK NICKEL OVER COPPER.
- △ DATUMS S & T TO BE ESTABLISHED BY CUSTOMER.
- △ NO KEYING SLOT ON THIS END FOR 6, 8, 10, 12 & 14 POSITION ASSEMBLIES.
- △ NO KEYING SLOT ON THIS END FOR 6, 8 & 10 POSITION ASSEMBLIES.
- △ NO STANDOFF FOR 6, 8, 10, 12, 14 & 16 POSITION ASSEMBLIES.
- △ ALTERNATE LOCATION/ORIENTATION OF POSITION #1 INDICATOR

BLUE	78.74	31	80.77	86.26	88.90	64	3-1761606-7
BLUE	73.66	29	75.69	81.18	83.82	60	3-1761606-6
BLUE	60.96	24	62.99	68.48	71.12	50	3-1761606-5
BLUE	48.26	19	50.29	55.78	58.42	40	3-1761606-3
OBSOLETE	43.18	17	45.21	50.70	53.34	36	3-1761606-2
OBSOLETE	40.64	16	42.67	48.16	50.80	34	3-1761606-1
OBSOLETE	35.56	14	37.59	43.08	45.72	30	3-1761606-0
BLUE	30.48	12	32.51	38.00	40.64	26	2-1761606-9
BLUE	27.94	11	29.97	35.46	38.10	24	2-1761606-8
BLUE	22.86	9	24.89	30.38	33.02	20	2-1761606-7
BLUE	17.78	7	19.81	25.30	27.94	16	2-1761606-6
BLUE	15.24	6	17.27	22.76	25.40	14	2-1761606-5
OBSOLETE	12.70	5	14.73	20.22	22.86	12	2-1761606-4
BLUE	10.16	4	12.19	17.68	20.32	10	2-1761606-3
BLUE	7.62	3	9.65	15.14	17.78	8	2-1761606-2
BLUE	5.08	2	7.11	12.60	15.24	6	2-1761606-1
BLACK	73.66	29	75.69	81.18	83.82	60	1-1761606-6
BLACK	48.26	19	50.29	55.78	58.42	40	1-1761606-3
BLACK	40.64	16	42.67	48.16	50.80	34	1-1761606-1
BLACK	35.56	14	37.59	43.08	45.72	30	1-1761606-0
BLACK	30.48	12	32.51	38.00	40.64	26	1761606-9
BLACK	27.94	11	29.97	35.46	38.10	24	1761606-8
BLACK	22.86	9	24.89	30.38	33.02	20	1761606-7
BLACK	17.78	7	19.81	25.30	27.94	16	1761606-6
BLACK	15.24	6	17.27	22.76	25.40	14	1761606-5
BLACK	10.16	4	12.19	17.68	20.32	10	1761606-3
HOUSING COLOR	E	D	C	B	A	NO OF POS	PART NUMBER

THIS DRAWING IS A CONTROLLED DOCUMENT. REFERENCE TO THIS DRAWING SHOULD BE MADE BY DRAWING NUMBER.

TE Connectivity
 TE CONNECTIVITY CORPORATION
 2900 UNIVERSITY AVENUE
 BERKELEY, CA 94704
 TEL: 925.864.7000
 FAX: 925.864.7001
 WWW.TECONNECTIVITY.COM

DATE: 00779
 SIZE: 4.1
 SHEET: 1 OF 1