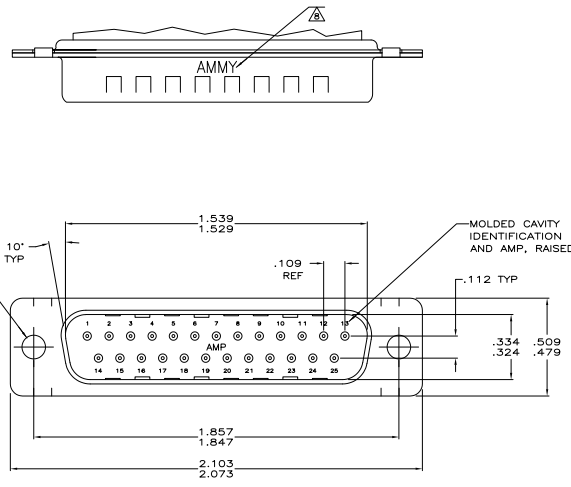
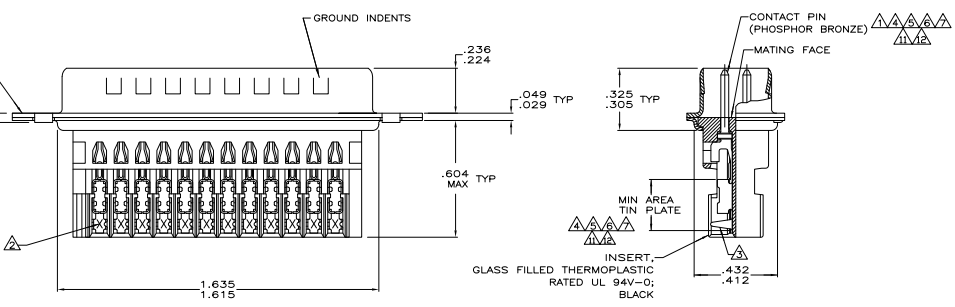


REV	DATE	DESCRIPTION	BY	CHK
00				
01		REVISED PER EDD-11-004835		



- △ HOUSING FULLY LOADED WITH CONTACTS.
- △ NUMBER ON CONTACT INDICATES WIRE RANGE.
- △ CONTACT INSULATION RANGE: .060 MAXIMUM O.D.
- △ CONTACTS GOLD PLATED FOR A LENGTH OF .150 MIN FROM MATING END, .00030 MIN GOLD IN MATED AREA, .000100-.000200 BRIGHT TIN OR BRIGHT TIN-LEAD IN AREA SHOWN, ALL OVER .000050 MIN NICKEL UNDERPLATE ON ENTIRE CONTACT.
- OR
- △ CONTACTS GOLD PLATED FOR A LENGTH OF .150 MIN FROM MATING END, GOLD FLASH OVER .00030 MIN PALLADIUM-NICKEL IN MATED AREA, .000100-.000200 BRIGHT TIN OR BRIGHT TIN-LEAD IN AREA SHOWN, ALL OVER .000050 MIN NICKEL UNDERPLATE ON ENTIRE CONTACT.
- △ CONTACTS PLATED GOLD FLASH FOR A LENGTH OF .150 MIN FROM MATING END, .000100-.000200 BRIGHT TIN OR BRIGHT TIN-LEAD IN AREA SHOWN, ALL OVER .000030 MIN NICKEL UNDERPLATE ON ENTIRE CONTACT.
- △ .000020 GOLD ON MATING END FOR .150 MIN LENGTH, .000100-.000200 BRIGHT TIN OR BRIGHT TIN-LEAD IN AREA SHOWN, .000050 NICKEL UNDERPLATE ON ENTIRE CONTACT.
- △ GOLD PLATED FOR LENGTH OF .150 MIN FROM MATING END, .000050 MIN GOLD IN MATED AREA, .000100-.000200 BRIGHT TIN OR BRIGHT TIN-LEAD IN AREA SHOWN, .000050 NICKEL UNDERPLATE ON ENTIRE CONTACT.
- △ SPECIAL DATE CODE IN THIS APPROXIMATE AREA.
 A: MM = MONTH; Y = LAST DIGIT OF YEAR.
- △ OBSOLETE PART NUMBER.
- △ SUPERSEDED BY 745496-5.
- △ CONTACTS GOLD PLATED FOR A LENGTH OF .150 MIN FROM MATING END, .00030 MIN GOLD IN MATED AREA, .000100-.000200 MATTE TIN IN AREA SHOWN, ALL OVER .000050 MIN NICKEL UNDERPLATE ON ENTIRE CONTACT.
- OR
- △ CONTACTS GOLD PLATED FOR A LENGTH OF .150 MIN FROM MATING END, GOLD FLASH OVER PALLADIUM-NICKEL, .00030 MIN TOTAL IN MATED AREA, .000100-.000200 MATTE TIN IN AREA SHOWN, ALL OVER .000050 MIN NICKEL UNDERPLATE ON ENTIRE CONTACT.
- △ CONTACTS PLATED GOLD FLASH FOR A LENGTH OF .150 MIN FROM MATING END, .000100-.000200 MATTE TIN IN AREA SHOWN, ALL OVER .000030 MIN NICKEL UNDERPLATE ON ENTIRE CONTACT.

SHELL, STEEL,
 PER QQ-S-698
 BRIGHT-TIN PLATED
 PER MIL-T-10727



STANDARD	QTY	AWG	WIRE RANGE	PART NUMBER
STANDARD	125 115	3	#20-22	2-745496-0
STANDARD	125 115	1	#26-30	1-745496-9
STANDARD	125 115	2	#22-26	1-745496-8
STANDARD	125 115	2	#22-26	1-745496-7
STANDARD	125 115	2	#22-26	1-745496-6
STANDARD	125 115	2	#22-26	1-745496-4
STANDARD	125 115	2	#22-26	1-745496-3
STANDARD	156 146	2	#22-26	1-745496-2
STANDARD	156 146	1	#26-30	1-745496-1
STANDARD	156 146	3	#20-22	745496-9
STANDARD	156 146	2	#22-26	745496-8
STANDARD	156 146	1	#26-30	745496-7
STANDARD	125 115	3	#20-22	745496-6
STANDARD	125 115	2	#22-26	745496-5
STANDARD	125 115	1	#26-30	745496-4
STANDARD	125 115	3	#20-22	745496-3
STANDARD	125 115	2	#22-26	745496-2
STANDARD	125 115	1	#26-30	745496-1
PACKAGING	H	CONTACT FINISH	AWG WIRE RANGE	PART NUMBER

THIS DRAWING IS A CONTROLLED DOCUMENT. SEE TABLE FOR IDENTIFICATION.

DATE: 11/18/87
 BY: M. WILMSLEY
 CHECKED: 108-40011
 APPROVED: 114-40002

PLUG ASSY, METAL SHELL, SIZE 3, 25 POSN, SERIES HDE-20 FOR MASS TERMINATION

AWG: 26-30
 CONTACT FINISH: A1
 PART NUMBER: 745496

DATE: 11/18/87
 BY: M. WILMSLEY
 CHECKED: 108-40011
 APPROVED: 114-40002