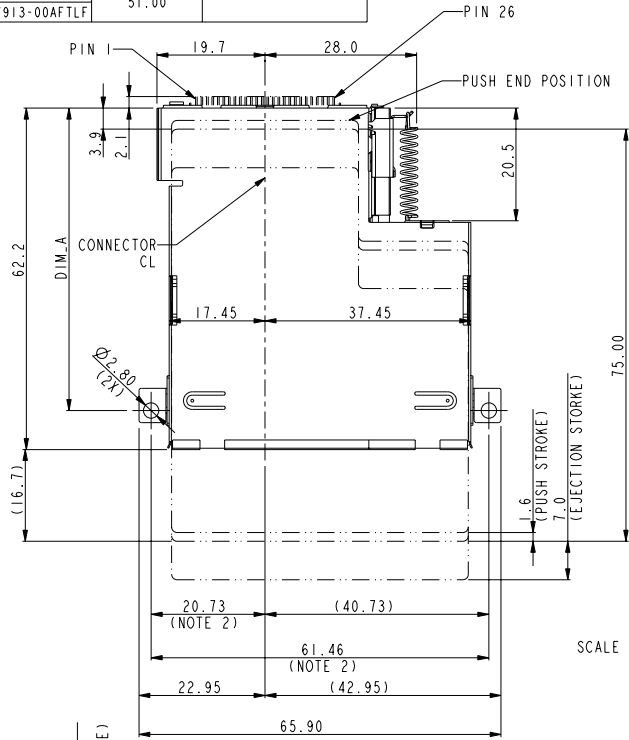


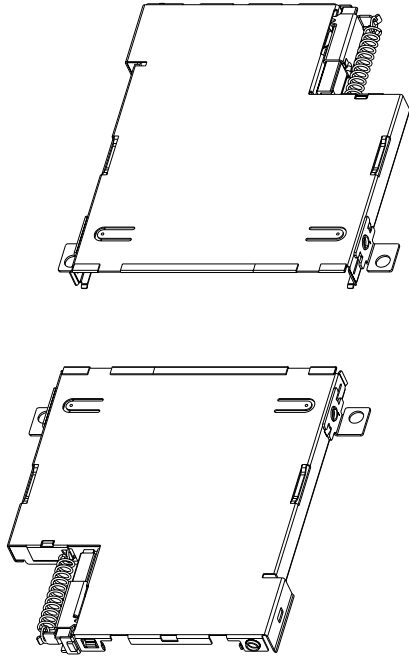
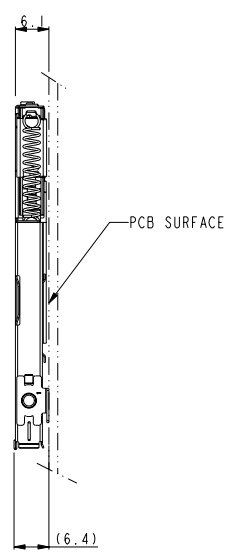


Copyright FCJ.

PART NO.	DIM. A	NOTE
10057913-00A		
10057913-00ALF	55.05	
10057913-00ATLF		
10057913-00AHLF		
10057913-00ASTLF	51.00	
10057913-00AFTLF		



SCALE 1.000

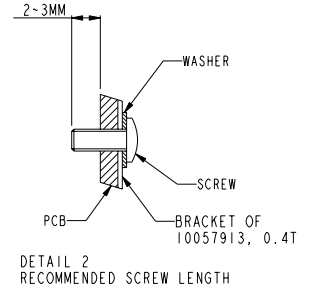
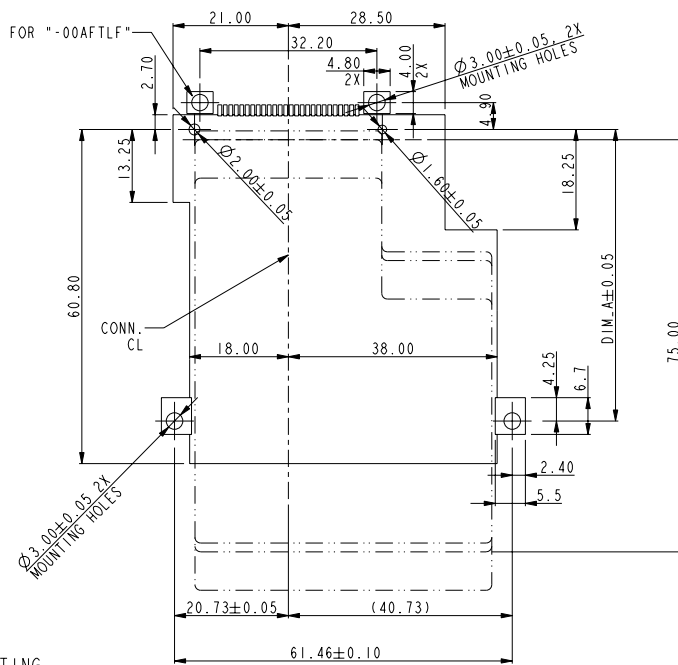


REV 1 - 2004-04-07

rev	ecn no	dr	date
H	T07-0007	TAI	2007-12-15
J	N07-0218	R.B	2007-09-07
K	N08-0235	R.B	2008/11/04
L	N09-0059	R.B	2009/02/26
F	T06-0126	TAI	2006-06-30
G	T07-0006	TAI	2007-02-02

www.fciconnect.com		surface	tolerance std	projection	MM
		ASME Y14.5	TOLERANCES UNLESS OTHERWISE SPECIFIED		
Dr	KENNY TAI	2005-07-04	ANGULAR	0.X	±.30
Eng	KENNY TAI	2005-07-04	LINEAR	0.XX	±.20
Chr	KENNY TAI	2005-07-04	0° ±2°	0.XXX	±
Appr	JOSEPH HSIA	2005-07-04	Product family	ECN	N09-0059
FCJ		TITLE		dwg no	Rev.
		TOP MOUNT, CARD PUSH		10057913	L
		EXPRESSCARD HOST MECH.		CUSTOMER	sheet 1 of 6
		catalog no	10057913		

PART NO.	MOUNTING	STAND-OFF	HOST CONN P/N	PRODUCT SPEC.	PACKING SPEC.	DIM_A	NOTE
10057913-00A	ABOVE	0MM	10058937-X00AXLF	GS-12-301	GS-14-295	53.05	LEAD FREE, LOW INSERTION FORCE 18.5N MAX.
10057913-00ALF						49.00	
10057913-00ATLF							
10057913-00AHLF							
10057913-00ASTLF							



□ NO MOUNTING PART AREA

- NOTE:
1. 2 M2*0.4P SCREWS WITH WASHER ARE REQUIRED.
 2. SHOW DIMENSION AFTER FASTENED TO PCB.
 3. SEE HOST CONNECTOR DRAWINGS FOR PCB LAYOUT DETAIL.
 4. RECOMMENDED TIGHTING TORQUE 1.6~1.8 KGF-CM.
 5. SEE DETAIL 2 FOR RECOMMENDED SCREW LENGTH.

www.fciconnect.com		surface	tolerance std	projection	MM
		ASME Y14.5	TOLERANCES UNLESS OTHERWISE SPECIFIED	MM	Scale
Dr	KENNY TAI	2005-07-04	ANGULAR	0.X	±.30
Eng	KENNY TAI	2005-07-04	LINEAR	0.XX	±.20
Chr	KENNY TAI	2005-07-04	0° ±2°	0.XXX	±
Appr	JOSEPH HSIA	2005-07-04	Product family	ECN	N09-0059
FCI		TOP MOUNT, CARD PUSH		Part no	10057913
EXPRESSCARD HOST MECH.		catalog no	10057913	CUSTOMER	sheet 2 of 6

3 PDM: Rev:L STATUS Released 4 Printed: Oct 12, 2010



Copyright FCI.

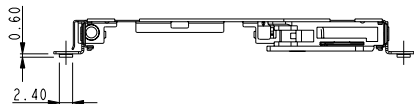
PART NO.	NOTE
10057913-00ATLFWITH M2 THREAD	

A

B

C

D

M2*0.4P
(2X)

NOTE:

- 2 M2*0.4P SCREWS WITH WASHER ARE REQUIRED.
- ALL DIMENSIONS ARE SAME WITH -00A & -00ALF EXCEPT THE 2 BRACKETS WITH M2 THREAD.

REV 1 - 2004-04-07

www.fciconnect.com		surface <input checked="" type="checkbox"/>	tolerance std ASME Y14.5	projection	MM
		TOLERANCES UNLESS OTHERWISE SPECIFIED			
Dr	KENNY TAI	2005-07-04	ANGULAR	0.X ±.30	size A4 Scale 1.000
Eng	KENNY TAI	2005-07-04	LINEAR	0.XX ±.20	
Chr	KENNY TAI	2005-07-04	0° ±2°	0.XXX ±	ECN N09-0059
Appr	JOSEPH HSIA	2005-07-04	Product family	Spec ref	
	TOP MOUNT, CARD PUSH EXPRESSCARD HOST MECH.		dwg no	10057913	Rev. L
	catalog no	10057913	CUSTOMER	sheet 3 of 6	

3PDM: Rev:L

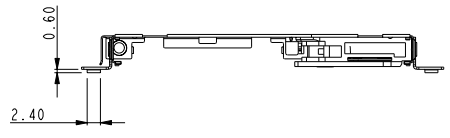
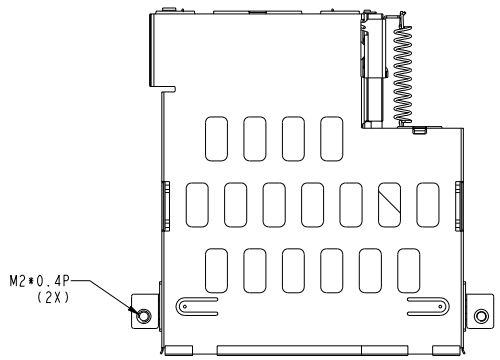
STATUS Released

4 Printed: Oct 12, 2010

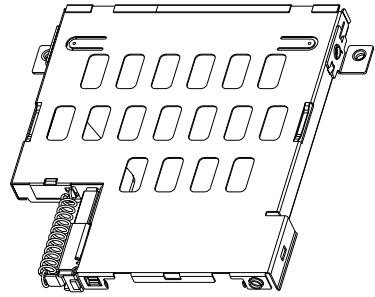
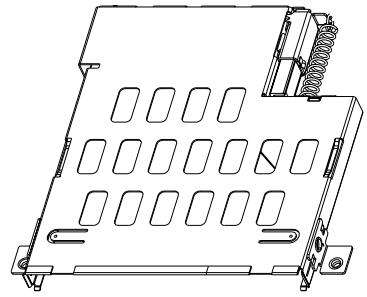


Copyright FCI.

PART NO.	NOTE
10057913-00AHLF	WITH M2 THREAD



NOTE:
 1. 2 M2*0.4P SCREWS WITH WASHER ARE REQUIRED.
 2. ALL DIMENSIONS ARE SAME WITH -00A & -00ALF EXCEPT THE 2 BRACKETS WITH M2 THREAD.

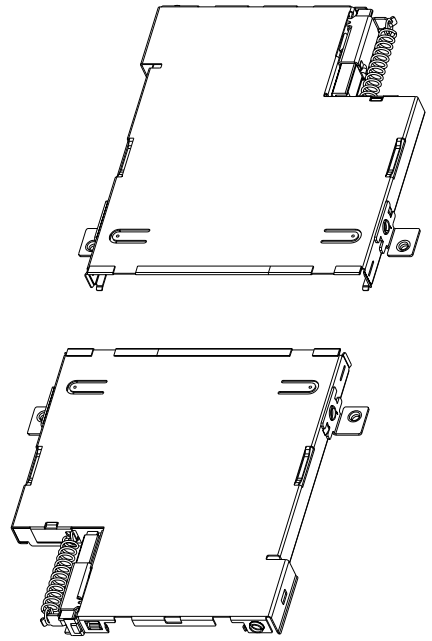
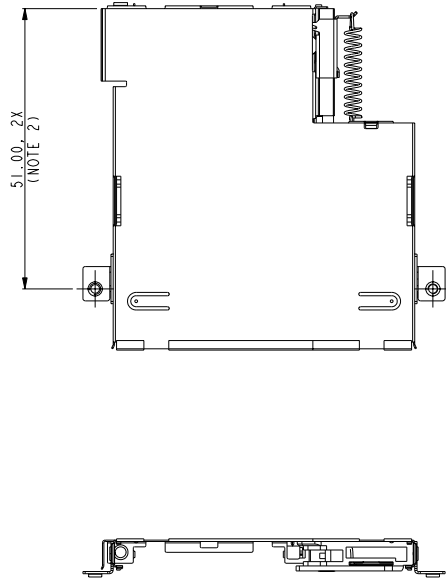


www.fciconnect.com		surface <input checked="" type="checkbox"/> ASME Y14.5	tolerance std	projection	MM
		TOLERANCES UNLESS OTHERWISE SPECIFIED			
Dr	KENNY TAI	2005-07-04	ANGULAR	0.X ±.30	size A4 Scale 1.000
Eng	KENNY TAI	2005-07-04	LINEAR	0.XX ±.20	
Chr	KENNY TAI	2005-07-04	0° ±2°	0.XXX ±	ECN N09-0059
Appr	JOSEPH HSIA	2005-07-04	Product family	Spec ref	
		TOP MOUNT, CARD PUSH		dwg no	10057913
		EXPRESSCARD HOST MECH.		Rev.	L
catalog no		10057913	CUSTOMER	sheet 4 of 6	

3PDM: Rev:L STATUS **Released** 4 Printed: Oct 12, 2010

REV 1 - 2004-04-07

PART NO.	NOTE
10057913-00ASTLF	SEE NOTE 2



NOTE:
 1. 2 M2*0.4P SCREWS WITH WASHER ARE REQUIRED.
 2. ALL DIMENSIONS ARE SAME WITH-00ATLF EXCEPT THE MOUNTING HOLE DIMENSION.

www.fciconnect.com		surface <input checked="" type="checkbox"/>	tolerance std ASME Y14.5	projection	MM
TOLERANCES UNLESS OTHERWISE SPECIFIED					
Dr	KENNY TAI	2005-07-04	ANGULAR	0.X	±.30
Eng	KENNY TAI	2005-07-04	LINEAR	0.XX	±.20
Chr	KENNY TAI	2005-07-04	0° ±2°	0.XXX	±
Appr	JOSEPH HSIA	2005-07-04	Product family	ECN	N09-0059
			Spec ref		
	TOP MOUNT, CARD PUSH		dwg no	10057913	Rev. L
EXPRESSCARD HOST MECH.		catalog no	10057913	CUSTOMER	sheet 5 of 6

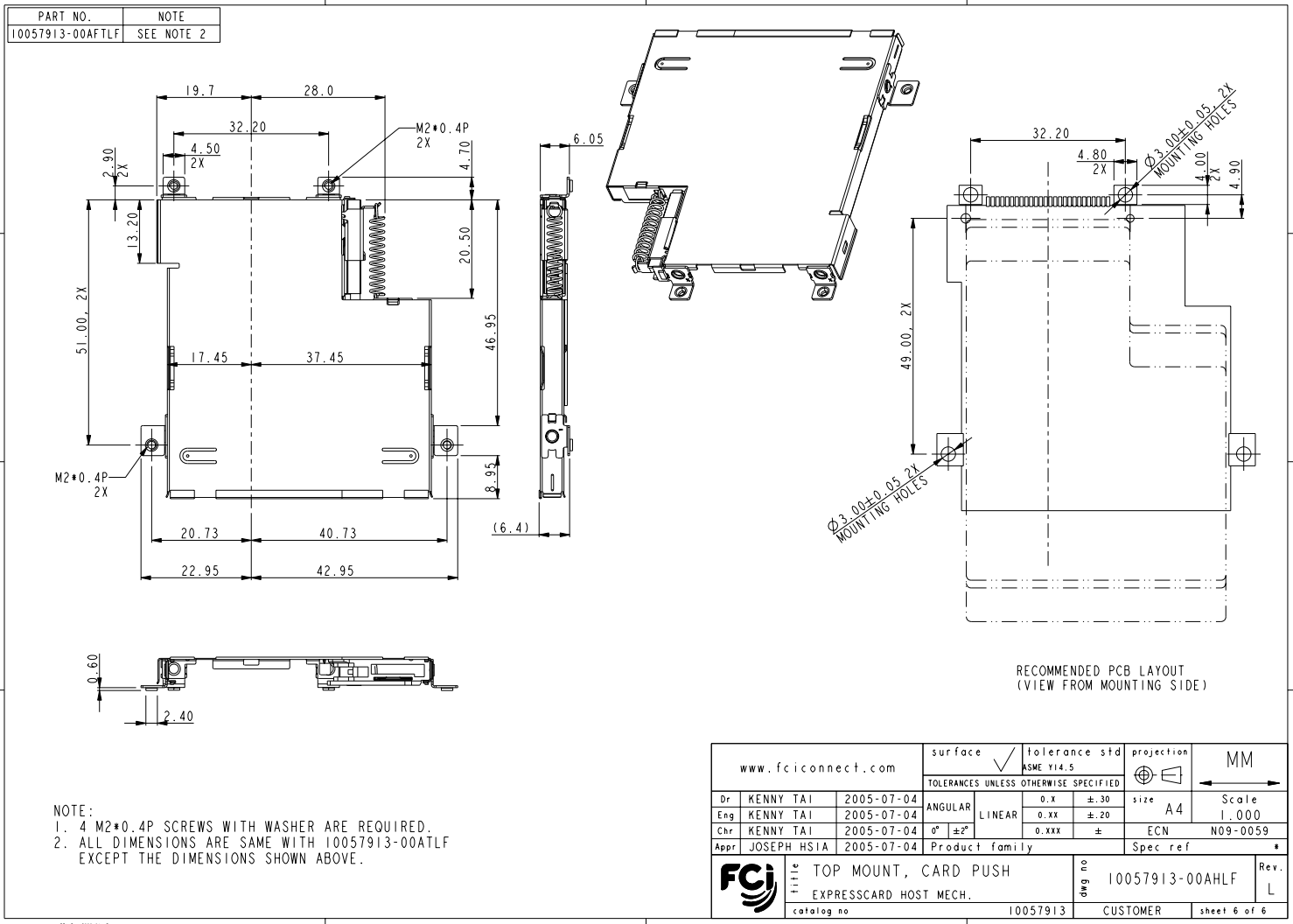


Copyright FCI.

REV 1 - 2004-04-07



Copyright © FCI.



PART NO.	NOTE
10057913-00AFTLF	SEE NOTE 2

NOTE:
 1. 4 M2*0.4P SCREWS WITH WASHER ARE REQUIRED.
 2. ALL DIMENSIONS ARE SAME WITH 10057913-00ATLF EXCEPT THE DIMENSIONS SHOWN ABOVE.

RECOMMENDED PCB LAYOUT
 (VIEW FROM MOUNTING SIDE)

www.fciconnect.com		surface <input checked="" type="checkbox"/> ASME Y14.5	tolerance std	projection	MM
		TOLERANCES UNLESS OTHERWISE SPECIFIED			
Dr	KENNY TAI	2005-07-04	ANGULAR	0.x ±.30	size A4
Eng	KENNY TAI	2005-07-04	LINEAR	0.xx ±.20	Scale 1.000
Chr	KENNY TAI	2005-07-04	0° ±2°	0.xxx ±	ECN N09-0059
Appr	JOSEPH HSIA	2005-07-04	Product family	Spec ref	
		TOP MOUNT, CARD PUSH		eng no	10057913-00AHLF
		EXPRESSCARD HOST MECH.		Rev.	L
catalog no		10057913	CUSTOMER	sheet 6 of 6	