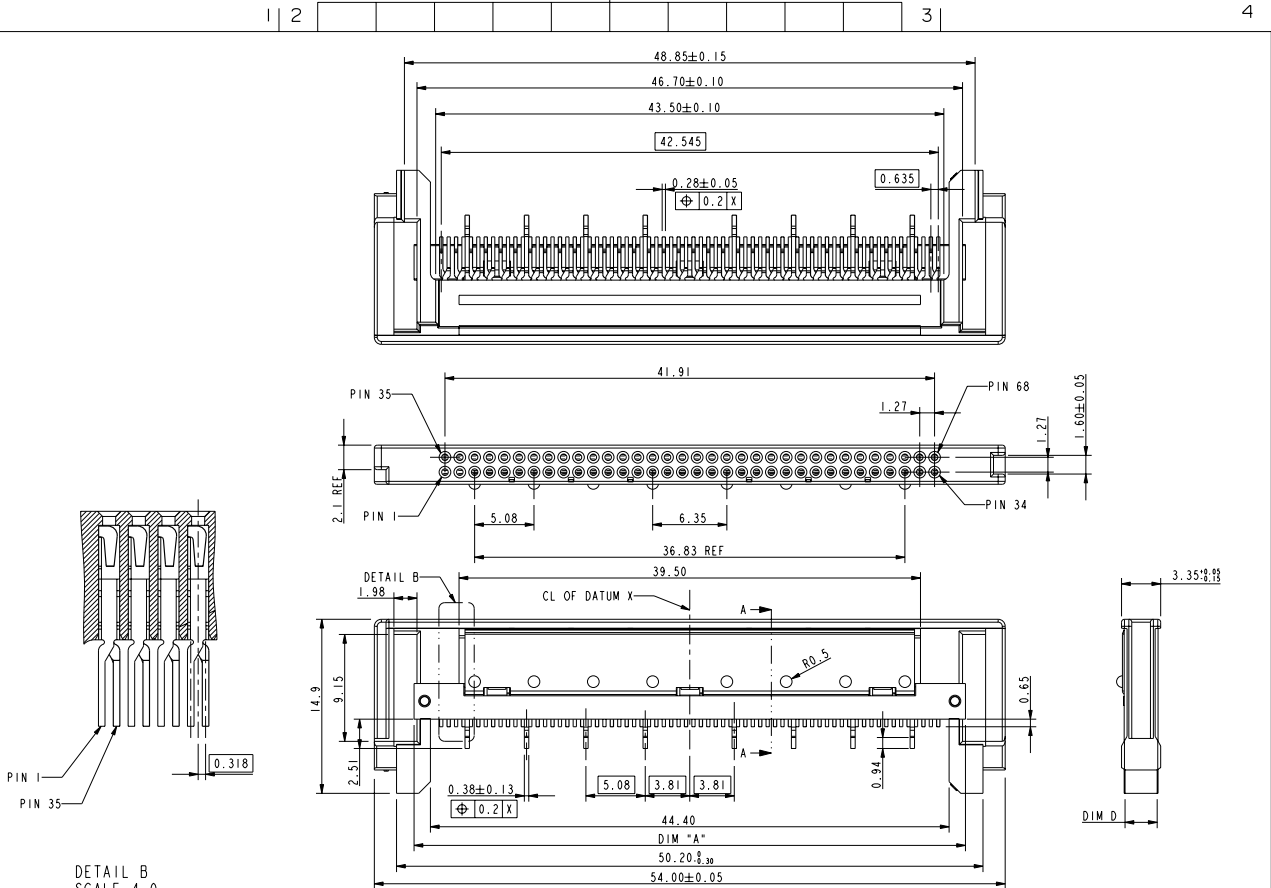


Tous droits strictement réservés. Reproduction ou communication à des tiers sans charge écrite de la propriétaire. Propriété de c FCI. Droits de reproduction FCI.



All rights strictly reserved. Reproduction or issue to third parties in any form or by any means without written authority from the proprietor. Property of FCI. Copyright FCI.



DETAIL B  
SCALE 4.0

| mat'l code  |                |       |          | tolerances unless otherwise specified |                    | CUSTOMER   |                    | FCI                          |  |
|-------------|----------------|-------|----------|---------------------------------------|--------------------|------------|--------------------|------------------------------|--|
| lfr         | ecn no.        | dr    | date     | linear                                | .X±0.3             | COPY       | www.fciconnect.com |                              |  |
| H           | DG06-0003      | Kason | 01/04/06 |                                       | .XX±0.13           | projection |                    | title                        |  |
| J           | DG06-0120      | C S   | 03/20/06 |                                       | .XXX±0.05          |            |                    | 68P CARDBUS RECEPTACLE ASS'Y |  |
| K           | DG06-0350      | P M   | 08/21/06 | angles                                | 0°±2°              |            |                    | product family PCMCIA code   |  |
| L           | DG07-0045      | C S   | 30/01/07 | dr                                    | KENNY TAI 10/03/02 | MM         |                    | size                         |  |
| M           | DG08-0116      | NZ    | 05/27/08 | enr                                   | KENNY TAI 10/03/02 | scale      |                    | 10014747                     |  |
| G           | T05-0079       | TAI   | 04/12/05 | chr                                   | KENNY TAI 10/03/02 | 1.000      |                    | sheet 1 of 2                 |  |
|             |                | oprd  |          | oprd                                  | PAUL WANG 10/03/02 |            |                    |                              |  |
| sheet index | revision sheet | M     | M        |                                       |                    |            |                    |                              |  |
|             |                | I     | 2        |                                       |                    |            |                    |                              |  |

THIS FILE WAS ORIGINALLY CREATED IN THE PRO ENGINEER ENVIRONMENT AND ANY FUTURE REVISIONS TO THIS FILE MUST BE MADE IN THE PRO ENGINEER ENVIRONMENT

form no. 7530-001-103

code code 22526

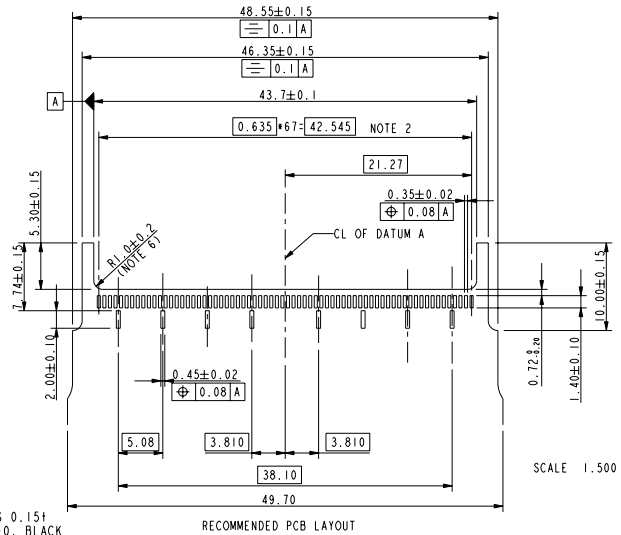
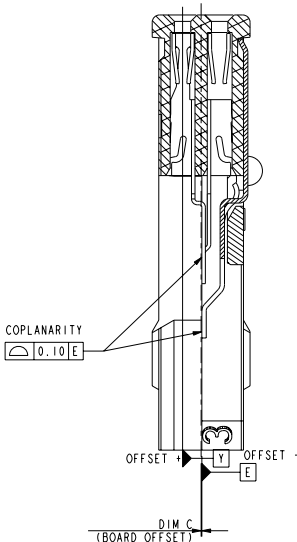
PDM: Rev:M STATUS:Released Printed: Jun 07, 2008

Tous droits strictement réservés. Reproduction ou communication à des tiers sans autorisation écrite du propriétaire. Propriété de FCJ. Droits de reproduction FCJ.



All rights strictly reserved. Reproduction or issue to third parties in any form is not permitted without written authority from the proprietor. Property of FCJ. Copyright FCJ.

| PRODUCT NUMBER | DIM A  | BOARD OFFSET DIM C              | DIM D     | PACKING                           |
|----------------|--|---------------------------------|-----------|-----------------------------------|
| 10014747-001   | 47.20±0.10   | 0                               | 2.85±0.05 | SEE NOTE 4 FOR DETAIL DESCRIPTION |
| 10014747-002   | 47.20±0.10   | 0.3                             | 2.85±0.05 |                                   |
| 10014747-003   | 47.20±0.10   | 0.6                             | 2.85±0.05 |                                   |
| 10014747-004   | 46.70±0.10   | 0                               | 2.85±0.05 |                                   |
| 10014747-006   | 46.70±0.10   | 0                               | 2.75±0.05 |                                   |
| 10014747-007   | 47.20±0.10   | -0.3                            | 2.85±0.05 |                                   |
| 10014747-XXXLF | 47.20±0.10 (-001--003,005)<br>46.70±0.10 (-004,-006) | (LEAD FREE PLATING, SEE NOTE 7) |           |                                   |
| 10014747-XXXLF | 47.20±0.10 (-001--003,005)<br>46.70±0.10 (-004,-006) | (LEAD FREE PLATING, SEE NOTE 7) |           |                                   |



- NOTE:
- MATERIAL:  
CONTACT: PHBR 0.124  
GROUND SHIELD: BRASS 0.151  
HOUSING: LCP UL 94V-0, BLACK
  - FINISH:  
CONTACT: ALL OVER --- Ni UNDER 0.5 MICRON; CONTACT --- Au or GXT PLATING 0.38 MICRON;  
SOLDER TAIL --- TIN LEAD 2.5 MICRON  
GROUND SHIELD: ALL OVER --- Ni UNDER 1.27 MICRON; CONTACT --- Au or GXT PLATING 0.38 MICRON;  
SOLDER TAIL --- TIN LEAD 3.8 MICRON
  - MAX. BOW OF PCB ON THIS DIMENSION IS 0.1mm.
  - MATED CONNECTOR SHOULD BE BASED ON JEIDA AND PCMCIA SPECIFICATION.
  - PACKING DETAIL: (REFER TO GS-14-723 AND GS-14-920)  
-XXX USE TRAY PACKAGE 1872 PCS / CARTON.  
-XXXT USE TAPE AND REEL 750 PCS / REEL.  
-XXXS USE TRAY PACKAGE 200 PCS / CARTON.  
-XXXX USE TAPE AND REEL 600 PCS / REEL.
  - ELIMINATE THE CORNER TO PREVENT INTERFERENCE WITH SOLDER TAIL.
  - LEAD FREE PLATING:  
FOR CONTACT TAIL: Ni UNDER PLATING 0.5 MICRON, TIN 2.5 MICRON;  
FOR GROUND SHIELD TAIL: Ni UNDER PLATING 1.27 MICRON, TIN 3.8 MICRON.
  - PRODUCT SPEC. REFER TO GS-12-228.
  - 10014747-XXXLF PRODUCTS MEET EUROPEAN UNION DIRECTIVES AND OTHER COUNTRY REGULATIONS AS DESCRIBED IN GS-22-008
  - THE HOUSING WILL WITHSTAND EXPOSURE TO 280°C PEAK TEMPERATURE FOR 10 SECONDS IN IR-REFLOW

| mat'l code  |                |    |      | tolerances unless otherwise specified |            | CUSTOMER       |  | FCJ                          |  |
|-------------|----------------|----|------|---------------------------------------|------------|----------------|--|------------------------------|--|
| lfr         | ecn no.        | dr | date | .X±0.3                                | projection | COPY           |  | www.fcjconnect.com           |  |
| M           |                |    |      | .XX±0.13                              |            | title          |  | 68P CARDBUS RECEPTACLE ASS'Y |  |
|             |                |    |      | .XXX±0.05                             |            | product family |  | PCMCIA                       |  |
|             |                |    |      | angles 0°±2°                          |            | size           |  | dwg no                       |  |
|             |                |    |      | dr KENNY TAI 10/03/02                 |            | scale          |  | 1.000                        |  |
|             |                |    |      | enr KENNY TAI 10/03/02                |            | sheet          |  | 2                            |  |
|             |                |    |      | chr KENNY TAI 10/03/02                |            | code           |  | 22526                        |  |
|             |                |    |      | oppd PAUL WANG 10/03/02               |            | sheet          |  | 2                            |  |
| sheet index | revision sheet |    |      |                                       |            | code           |  | 22526                        |  |

THIS FILE WAS ORIGINALLY CREATED IN THE PRO ENGINEER ENVIRONMENT AND ANY FUTURE REVISIONS TO THIS FILE MUST BE MADE IN THE PRO ENGINEER ENVIRONMENT

form no. 7530-001-I03