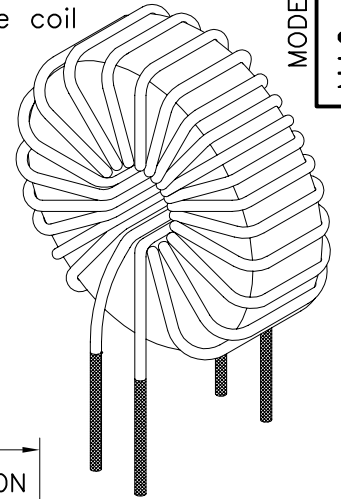
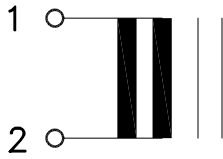


Amorphous Power Inductor

- ◆ For smoothing switching power supply output
- ◆ Rated Current: 10ADC
- ◆ Low core-loss at high frequency
- ◆ Amorphous iron cores with precised gap are used in the coil

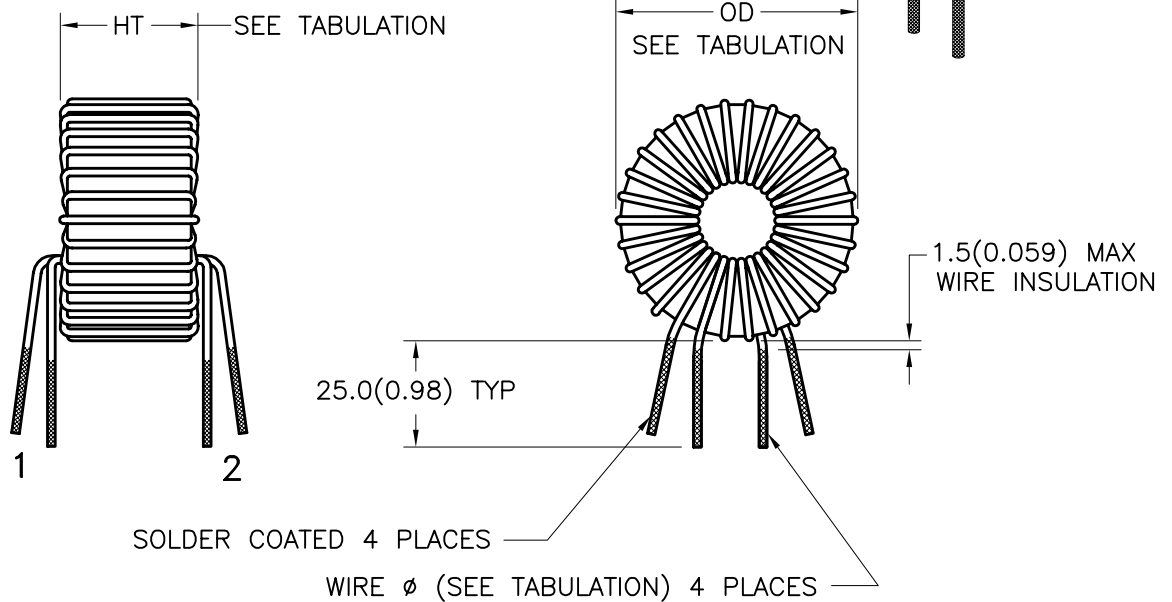
Schematic Diagram;



MODEL NUMBER

NAC-10 SERIES

Mechanical Specifications;



Part Number	Rated Current (ADC)	Inductance (uH)±25%	DCR (mΩ) MAX	Wire Dia (ømm)	Dimension OD mm(In) MAX	Dimension HT mm(In) MAX
NAC-10-0031	10	30	9	1.0X2	29(1.14)	19(0.75)
NAC-10-0051	10	50	10	1.1X2	34(1.34)	20(0.79)
NAC-10-0101	10	100	15	1.1X2	34(1.34)	20(0.79)
NAC-10-0151	10	150	18	1.1X2	43(1.69)	21(0.83)
NAC-10-0201	10	200	25	1.1X2	43(1.69)	21(0.83)
NAC-10-0301	10	300	32	1.1X2	48(1.89)	28(1.10)
NAC-10-0501	10	500	45	1.1X2	56(2.20)	29(1.14)

PREPARED BY:

K. BRENNAN

NOTE: Inductance is measured at 20 KHz with specified DC current

ENGINEER:

M. PITCHAI

DWG CONTROL NO. P-A4-13607
ACAD\MXFMR\A4136071.DWG

REV

-

10A POWER INDUCTOR FOR SWITCH MODE POWER SUPPLIES

NAC-10 SERIES

QUALITY CONTROL:

T. CLEM

CONTENTS OF THIS DRAWING ARE SUBJECT TO CHANGE WITHOUT PRIOR NOTICE

TAMURA CORPORATION OF AMERICA
43352 BUSINESS PARK DRIVE, TEMECULA, CA. 92590-6624
(951) 699-1270 FAX 9516769482

MODEL SPECIFICATION

DIM: mm(In) SCL: 1/1 SH: 1 OF 1

APPROVED:

Y. SEKIGUCHI

PROPRIETARY NOTICE: THIS DRAWING PRINT OR DOCUMENT AND SUBJECT MATTER DISCLOSED HEREIN ARE PROPRIETARY ITEMS TO WHICH TAMURA RETAINS THE EXCLUSIVE RIGHT OF DISSEMINATION, REPRODUCTION, MANUFACTURE AND SALE. THIS DRAWING, PRINT OR DOCUMENT IS SUBMITTED IN CONFIDENCE FOR CONSIDERATION BY THE RECIPIENT ALONE UNLESS PERMISSION FOR FURTHER DISCLOSURE IS EXPRESSLY GRANTED IN WRITING.