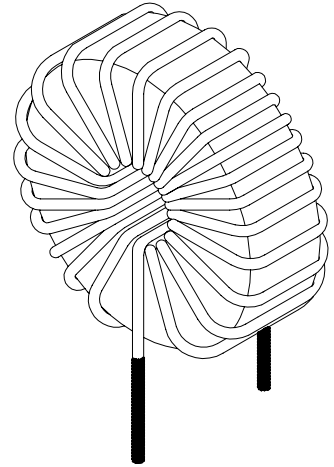
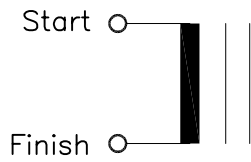


# Amorphous Power Inductor

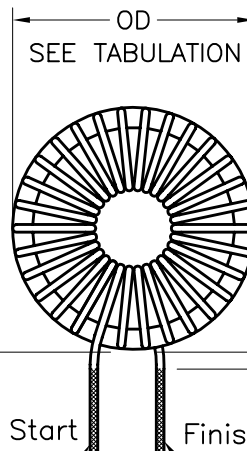
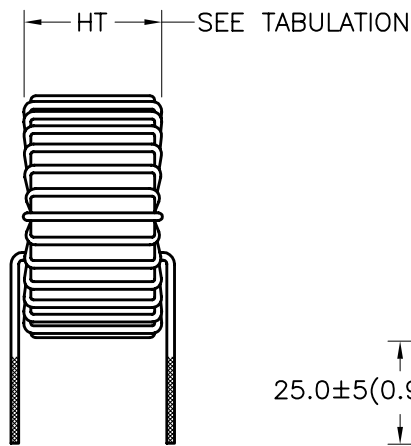
- ◆ For smoothing switching power supply output
- ◆ Rated Current: 2ADC
- ◆ Low core-loss at high frequency
- ◆ Amorphous iron cores with precised gap are used in the coil

MODEL NUMBER  
**NAC-02 SERIES**

Schematic Diagram;



Mechanical Specifications;



25.0±5(0.98±0.20)

1.5(0.059) MAX  
WIRE INSULATION

SOLDER COATED (2 PLACES)

WIRE  $\phi$  (SEE TABULATION)

Part Number	Rated Current (ADC)	Inductance ( $\mu\text{H}$ ) $\pm 25\%$	DCR ( $\text{m}\Omega$ ) MAX	Wire Dia ( $\phi$ mm)	Dimension OD mm(In) MAX	Dimension HT mm(In) MAX
NAC-02-0501	2	500	180	0.6	23(0.91)	17(0.67)
NAC-02-0751	2	750	220	0.6	23(0.91)	17(0.67)
NAC-02-1001	2	1000	180	0.7	29(1.14)	18(0.71)
NAC-02-1501	2	1500	230	0.7	33(1.30)	19(0.75)
NAC-02-2001	2	2000	290	0.7	33(1.30)	19(0.75)

PREPARED BY:

K. BRENNAN

NOTE: Inductance is measured at 20 KHz with specified DC current

ENGINEER:

M. PITCHAI

DWG CONTROL NO.  
P-A4-13605  
ACAD\MXFMR\A4136051.DWG

REV

-

2A POWER INDUCTOR FOR  
SWITCH MODE POWER SUPPLIES

**NAC-02 SERIES**

QUALITY CONTROL:

T. CLEM

CONTENTS OF THIS DRAWING ARE  
SUBJECT TO CHANGE WITHOUT  
PRIOR NOTICE

**TAMURA CORPORATION OF AMERICA**  
43352 BUSINESS PARK DRIVE, TEMECULA, CA. 92590-6624  
(951) 699-1270 FAX 9516769482

MODEL SPECIFICATION

DIM: mm(In) SCL: 1/1 SH: 1 OF 1

APPROVED:

Y. SEKIGUCHI

PROPRIETARY NOTICE: THIS DRAWING PRINT OR DOCUMENT AND SUBJECT MATTER DISCLOSED HEREIN ARE PROPRIETARY ITEMS TO WHICH TAMURA RETAINS THE EXCLUSIVE RIGHT OF DISSEMINATION, REPRODUCTION, MANUFACTURE AND SALE. THIS DRAWING, PRINT OR DOCUMENT IS SUBMITTED IN CONFIDENCE FOR CONSIDERATION BY THE RECIPIENT ALONE UNLESS PERMISSION FOR FURTHER DISCLOSURE IS EXPRESSLY GRANTED IN WRITING.