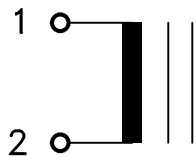
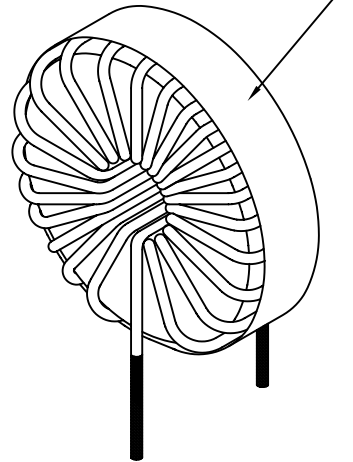


REV. Status	TCA NO.	MODEL NO.	RATED CURRENT (AC)	INDUCTANCE (uH) MIN	DCR (mohm MAX)	OD	HT
REVISION - 11/8/95 TS	P-A4-11451-01	SKP1-30	2	26	45	16(0.63)	8(0.31)
REVISION A CHG'D LEAD LENGTH WAS 25mm 04/07/98 TS	P-A4-11451-02	SKP1-40	2	46	55	16(0.63)	8(0.31)
	P-A4-11451-03	SKP1-50	2	72	70	16(0.63)	8(0.31)
REVISION B CHG'D CURRENT WAS DC 04/27/98 TS	P-A4-11451-04	SKP2-30	2	45	55	16(0.63)	11(0.43)
	P-A4-11451-05	SKP2-40	2	80	75	16(0.63)	11(0.43)
	P-A4-11451-06	SKP2-50	2	125	95	16(0.63)	11.5(0.45)

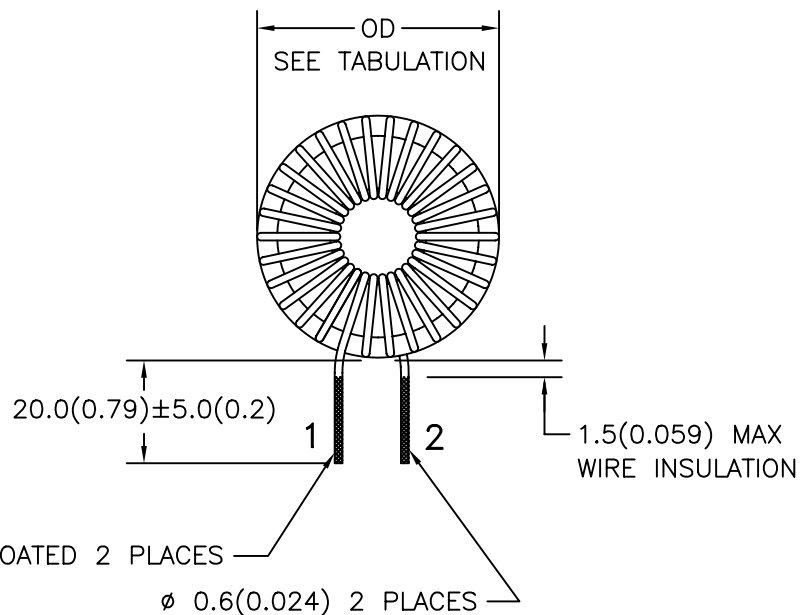
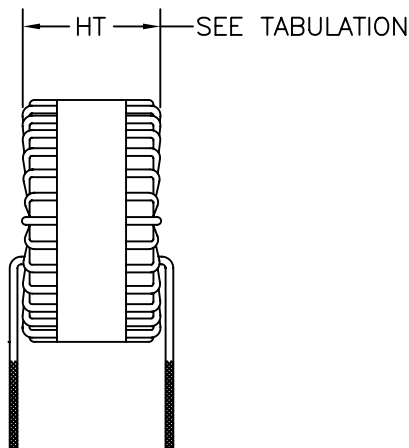
Schematic Diagram;



Country of origin



Mechanical Specifications;



SOLDER COATED 2 PLACES

ø 0.6(0.024) 2 PLACES

TOLERANCES (mm)

≤ 4 ± 0.2
4 ≤ 20 ± 0.3
20 ≤ 50 ± 0.4

PREPARED BY:

D. Kelley

ENGINEER:

T. Shiozawa

QUALITY CONTROL:

D. Kelley

APPROVED:

D. Suzuki

NOTE: Inductance is measured at 1 KHz, 1mA AC current

DWG CONTROL NO. P-A4-11451
ACAD\MISCX\A4114511.DWG

REV B

POWER INDUCTOR FOR SWITCH MODE POWER SUPPLIES

TAMURA CORPORATION OF AMERICA

43352 BUSINESS PARK DRIVE, TEMECULA, CA. 92590-6624
(909) 699-1270 FAX 9096769482

SKP1-30~2-50

MODEL SPECIFICATION

DIM: mm(In) SCL: NONE SH: 1 OF 1

PROPRIETARY NOTICE: THIS DRAWING PRINT OR DOCUMENT AND SUBJECT MATTER DISCLOSED HEREIN ARE PROPRIETARY ITEMS TO WHICH TAMURA RETAINS THE EXCLUSIVE RIGHT OF DISSEMINATION, REPRODUCTION, MANUFACTURE AND SALE. THIS DRAWING, PRINT OR DOCUMENT IS SUBMITTED IN CONFIDENCE FOR CONSIDERATION BY THE RECIPIENT ALONE UNLESS PERMISSION FOR FURTHER DISCLOSURE IS EXPRESSLY GRANTED IN WRITING.

SKP1-30~SKP2-50