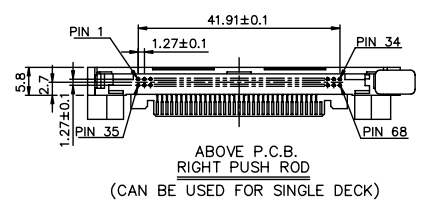
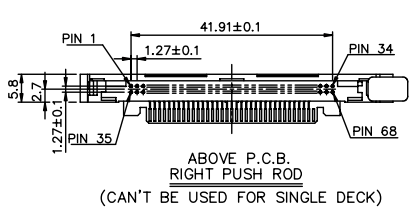
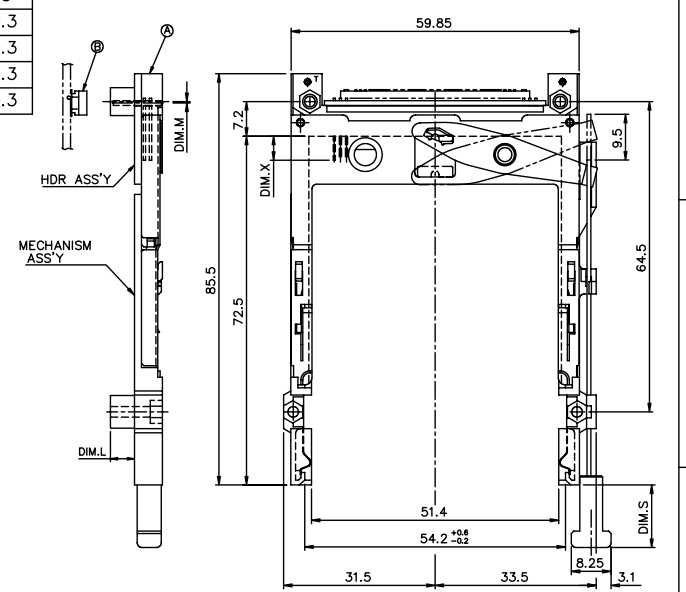
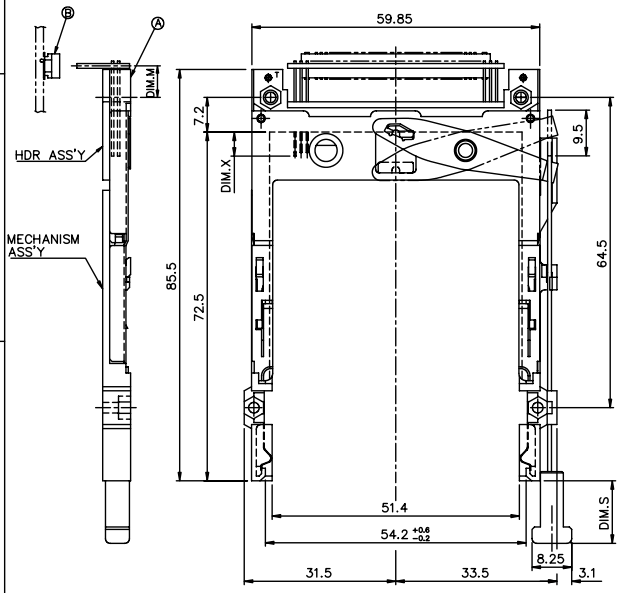


Tous droits strictement réservés. Reproduction ou communication à des tiers sans autorisation écrite du propriétaire.  
 All rights strictly reserved. Reproduction or communication to third parties in any form without written authority from the proprietor.  
 Copyright BERG ELECTRONICS S.p.A.

All rights strictly reserved. Reproduction or communication to third parties in any form without written authority from the proprietor.  
 Copyright BERG ELECTRONICS S.p.A.

| PRODUCT NO. | DIM.M |
|-------------|-------|
| 95547-005** | 10.0  |
| 95547-025** | 9.0   |
| 95547-045** | 6.55  |
| 95547-055** | 6.55  |

| PRODUCT NO.  | DIM.M |
|--------------|-------|
| 95547-020**  | 2.15  |
| 95547-040**  | -0.3  |
| 95547-050**  | -0.3  |
| 95547-050**H | -0.3  |
| 95547-250**  | -0.3  |



| mat'l code |          | tolerance unless otherwise specified |            | CUSTOMER COPY |                      | FCI        |  | www.fciconnect.com |               |   |
|------------|----------|--------------------------------------|------------|---------------|----------------------|------------|--|--------------------|---------------|---|
| rev.       | ecm no.  | dr                                   | date       | linear        | ±0.30                | projection | title  |                    |               |   |
| N          | N06-0034 | M                                    | Z 02/14/06 |               |                      |            | EJECTOR HEADER ASS'Y<br>5.0V, SMT TYPE 1/2/3 |                    |               |   |
| H          | T00234   | WL                                   | 07/28/04   | angles        | ± 2°                 |            | product family                               | part no.           | code          |   |
| J          | T00374   | WL                                   | 12/26/03   | dr            | WENDY CHEN 01/27/99  | unit       | size   |                    |               |   |
| K          | T10149   | WL                                   | 05/18/01   | enrg          | JOSEPH HSIA 01/27/99 | mm/inch    | dwg no.                                      |                    |               |   |
| L          | T03-0209 | WL                                   | 06/02/03   | chr           | JOSEPH HSIA 01/27/99 | scale      | A3   | 95547              | sheet 1 of 12 |   |
| M          | N04-0092 | WB                                   | 12/01/04   | appd          | JENN TSAO 01/27/99   |            |  |                    |               |   |
| sheet      | revision | L                                    | M          | L             | N                    | L          | M  | M                  | N             | L |
| index      | sheet    | 1                                    | 2          | 3             | 4                    | 5          | 6  | 7                  | 8             | 9 |

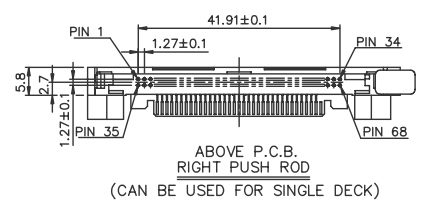
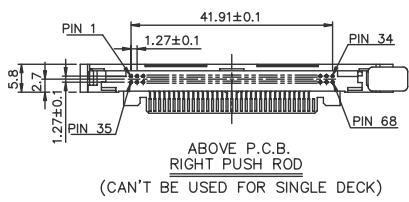
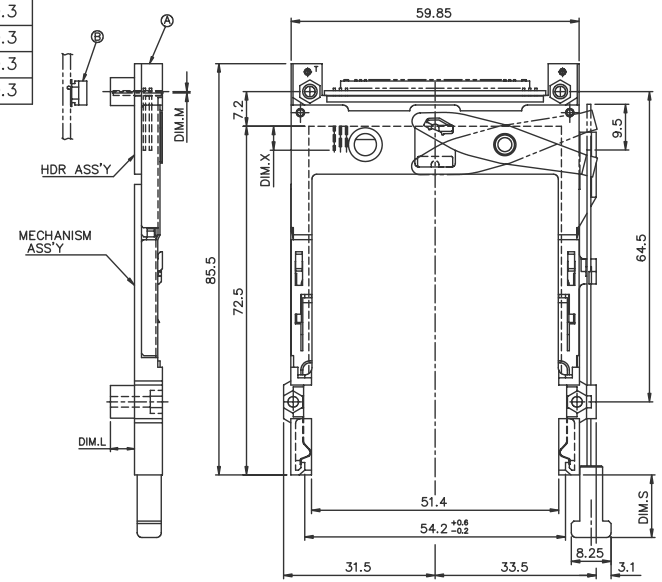
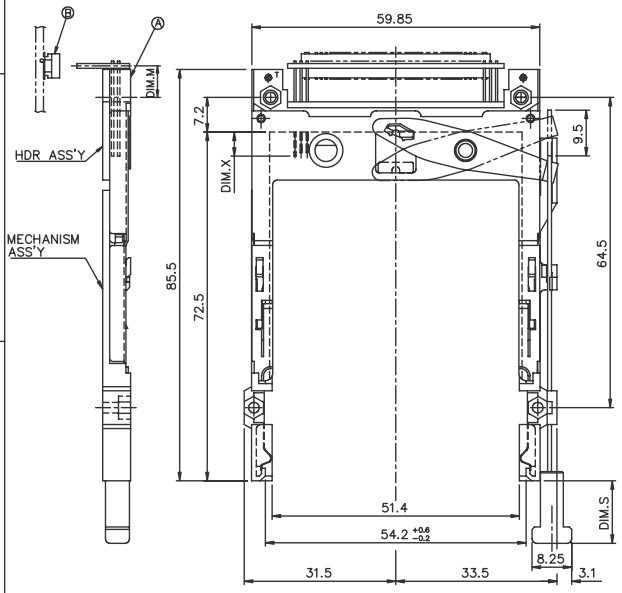
PDM: Rev:N STATUS:Released Printed: Oct 12, 2010

Tous droits strictement réservés. Reproduction ou communication à des tiers sans autorisation écrite du propriétaire.  
 All rights strictly reserved. Reproduction or communication to third parties in any form without written authority from the proprietor.  
 Copyright BERG ELECTRONICS S.A.

All rights strictly reserved. Reproduction or communication to third parties in any form without written authority from the proprietor.  
 Copyright BERG ELECTRONICS S.A.

| PRODUCT NO.   | DIM.M |
|---------------|-------|
| 95547-005**LF | 10.0  |
| 95547-025**LF | 9.0   |
| 95547-045**LF | 6.55  |
| 95547-055**LF | 6.55  |

| PRODUCT NO.    | DIM.M |
|----------------|-------|
| 95547-020**LF  | 2.15  |
| 95547-040**LF  | -0.3  |
| 95547-050**LF  | -0.3  |
| 95547-050**HLF | -0.3  |
| 95547-250**LF  | -0.3  |



|             |                |                                      |                |                        |
|-------------|----------------|--------------------------------------|----------------|------------------------|
| mat'l code  |                | tolerance unless otherwise specified | CUSTOMER COPY  | <br>www.fciconnect.com |
| rev. M      | ecn no.        | linear ±0.30                         | projection     |                        |
|             | dr             | angles ± 2°                          | unit           |                        |
|             | enr            | dr WENDY CHEN 01/27/98               | mm/inch        |                        |
|             | chr            | enr JOSEPH HSIA 01/27/98             | scale          |                        |
|             | app            | chr JOSEPH HSIA 01/27/98             | product family |                        |
|             |                | app JENN TSAO 01/27/98               | size           |                        |
| sheet index | revision sheet |                                      | dwg no.        | product family         |
|             |                |                                      | A3             | 95547                  |
|             |                |                                      |                | code                   |
|             |                |                                      |                | sheet 2 of             |

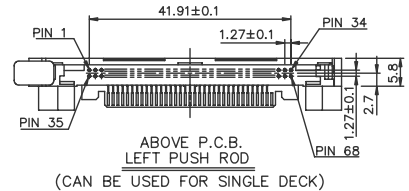
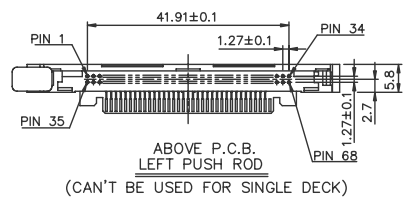
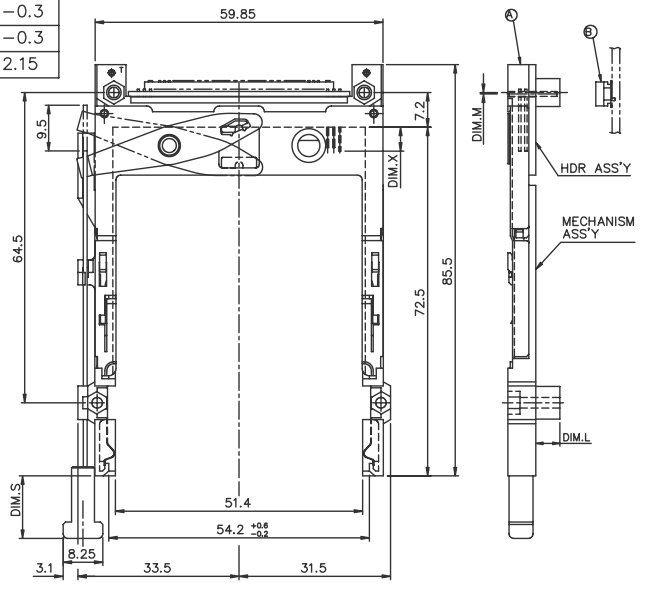
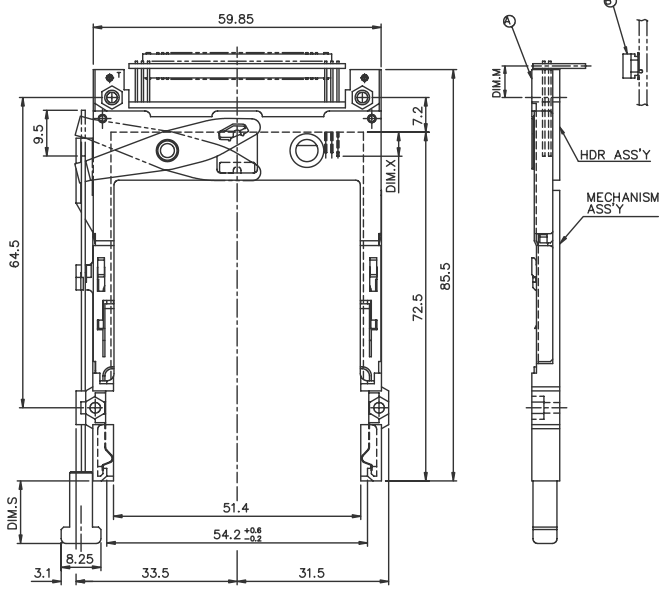
PDM: Rev:N STATUS:Released Printed: Oct 12, 2010

Tous droits strictement réservés. Reproduction ou communication à des tiers sans autorisation écrite du propriétaire. Copyright BERG ELECTRONICS S.A. Droits de reproduction BERG ELECTRONICS S.A.

All rights strictly reserved. Reproduction or issue to third parties in any form or by any means without written authority from the proprietor. Copyright BERG ELECTRONICS S.A.

| PRODUCT NO. | DIM.M |
|-------------|-------|
| 95547-105** | 10.0  |
| 95547-125** | 9.0   |
| 95547-145** | 6.55  |
| 95547-155** | 6.55  |

| PRODUCT NO. | DIM.M |
|-------------|-------|
| 95547-120** | 2.15  |
| 95547-140** | -0.3  |
| 95547-150** | -0.3  |
| 95547-322** | 2.15  |



| mat'l code |          |     |    | tolerance unless otherwise specified |        | CUSTOMER COPY        |            | <br>www.fciconnect.com |  |
|------------|----------|-----|----|--------------------------------------|--------|----------------------|------------|------------------------|--|
| rev.       | ecn      | no. | dr | date                                 | linear | ±0.30                | projection | title                  |  |
|            |          |     |    |                                      | angles | ± 2°                 |            | EJECTOR HEADER ASS'Y   |  |
|            |          |     |    |                                      | dr     | WENDY CHEN 01/27/99  | unit       | 5.0V, SMT TYPE 1/2/3   |  |
|            |          |     |    |                                      | enrg   | JOSEPH HSIA 01/27/99 | mm/inch    | product family         |  |
|            |          |     |    |                                      | chr    | JOSEPH HSIA 01/27/99 | scale      | PCBGA                  |  |
|            |          |     |    |                                      | appd   | JENN TSAO 01/27/99   | size       | code                   |  |
|            |          |     |    |                                      |        |                      | A3         | 95547                  |  |
| sheet      | revision |     |    |                                      |        |                      |            | sheet                  |  |
| index      | sheet    |     |    |                                      |        |                      |            | 3 of                   |  |

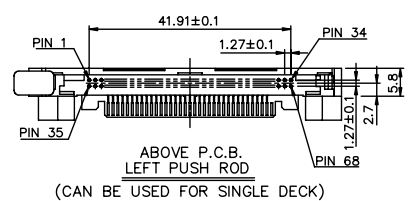
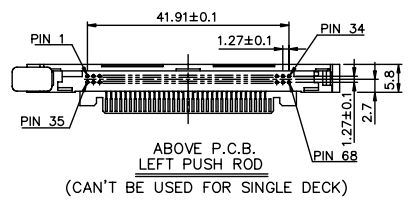
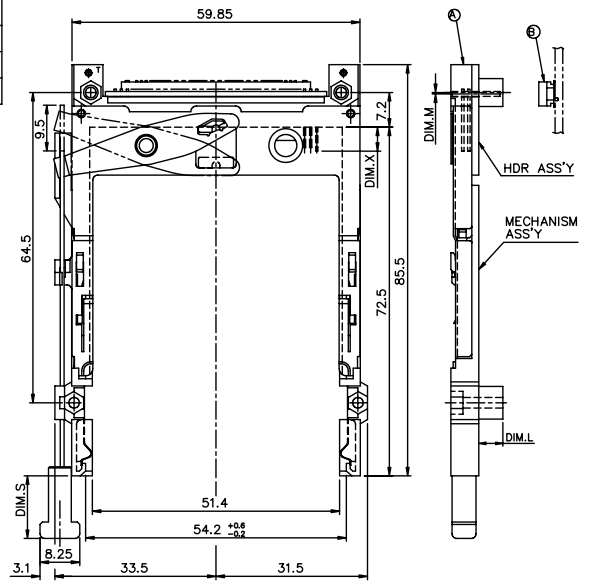
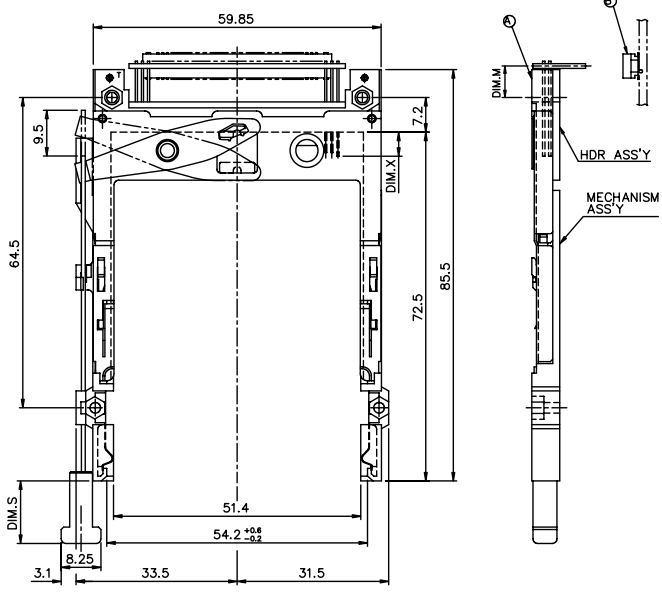
PDM: Rev:N STATUS:Released Printed: Oct 12, 2010

Tous droits strictement réservés. Reproduction ou communication à des tiers sans autorisation écrite du propriétaire.  
 All rights strictly reserved. Reproduction or issue to third parties in any form without written authority from the proprietor.  
 Copyright BERG ELECTRONICS S.p.A.

All rights strictly reserved. Reproduction or issue to third parties in any form without written authority from the proprietor.  
 Copyright BERG ELECTRONICS S.p.A.

| PRODUCT NO.   | DIM.M |
|---------------|-------|
| 95547-105**LF | 10.0  |
| 95547-125**LF | 9.0   |
| 95547-145**LF | 6.55  |
| 95547-155**LF | 6.55  |

| PRODUCT NO.    | DIM.M |
|----------------|-------|
| 95547-120**LF  | 2.15  |
| 95547-140**LF  | -0.3  |
| 95547-150**LF  | -0.3  |
| 95547-150**HLF | -0.3  |
| 95547-322**LF  | 2.15  |



|             |                                      |                |                        |
|-------------|--------------------------------------|----------------|------------------------|
| mat'l code  | tolerance unless otherwise specified | CUSTOMER COPY  | <br>www.fciconnect.com |
| rev. N      | linear ±0.30                         | projection     |                        |
| ecn no.     | angles ± 2°                          | title          | EJECTOR HEADER ASS'Y   |
| dr          | dr WENDY CHEN 01/27/99               | product family | 5.0V, SMT TYPE 1/2/3   |
| date        | enrg JOSEPH HSIA 01/27/99            | size           | product family         |
|             | chr JOSEPH HSIA 01/27/99             | scale          | dwg no.                |
|             | appd JENN TSAO 01/27/99              | unit           | A3 95547               |
| sheet index | revision sheet                       | code           | sheet 4 of             |

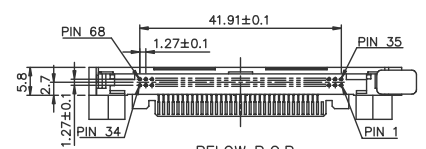
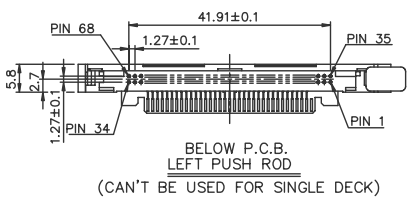
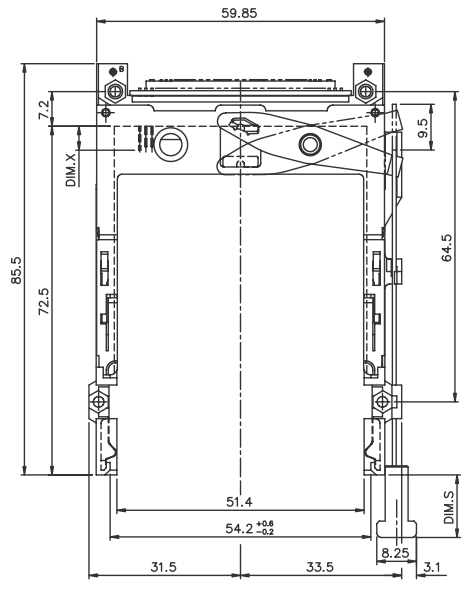
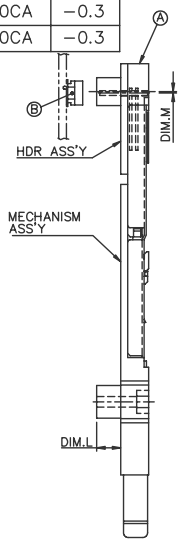
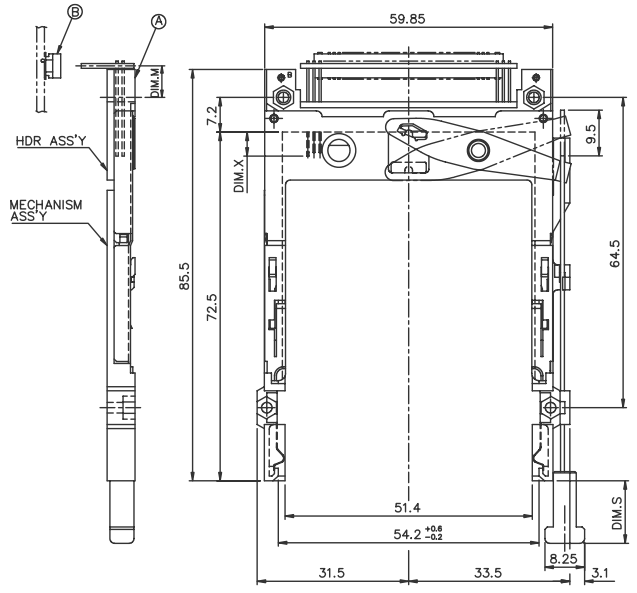
PDM: Rev:N STATUS:Released Printed: Oct 12, 2010

Tous droits strictement réservés. Reproduction ou communication à des tiers sans autorisation écrite du propriétaire.  
 All rights strictly reserved. Reproduction or issue to third parties in any form without written authority from the proprietor.  
 Copyright BERG ELECTRONICS S.A.  
 Droits de reproduction BERG ELECTRONICS S.A.

All rights strictly reserved. Reproduction or issue to third parties in any form without written authority from the proprietor.  
 Copyright BERG ELECTRONICS S.A.

| PRODUCT NO. | DIM.M |
|-------------|-------|
| 95547-605CA | 10.0  |
| 95547-625CA | 9.0   |
| 95547-645CA | 6.55  |
| 95547-655CA | 6.55  |

| PRODUCT NO. | DIM.M |
|-------------|-------|
| 95547-620CA | 2.15  |
| 95547-640CA | -0.3  |
| 95547-650CA | -0.3  |



|            |          |    |      |                                      |                      |               |                      |                        |       |
|------------|----------|----|------|--------------------------------------|----------------------|---------------|----------------------|------------------------|-------|
| mat'l code |          |    |      | tolerance unless otherwise specified |                      | CUSTOMER COPY |                      | <br>www.fciconnect.com |       |
| rev.       | ecn no.  | dr | date | linear                               | ±0.3                 | projection    | title                |                        |       |
| L          |          |    |      | angles                               | ± 2°                 |               | EJECTOR HEADER ASS'Y |                        |       |
| M          |          |    |      | dr                                   | WENDY CHEN 01/27/95  | unit          | product family       |                        | code  |
|            |          |    |      | enrg                                 | JOSEPH HSIA 01/27/95 | mm/inch       | 5.0V, SMT TYPE 1/2/3 |                        |       |
|            |          |    |      | chr                                  | JOSEPH HSIA 01/27/95 | scale         | size                 | dwg no.                | sheet |
|            |          |    |      | appd                                 | JENN TSAO 01/27/95   | A3            | 95547                | 5 of                   |       |
| sheet      | revision |    |      |                                      |                      |               |                      |                        |       |
| index      | sheet    |    |      |                                      |                      |               |                      |                        |       |

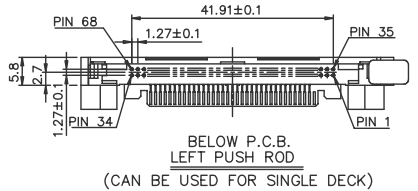
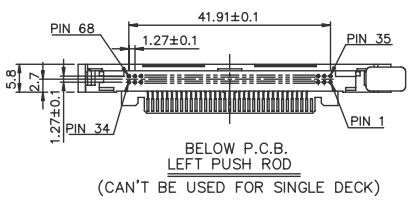
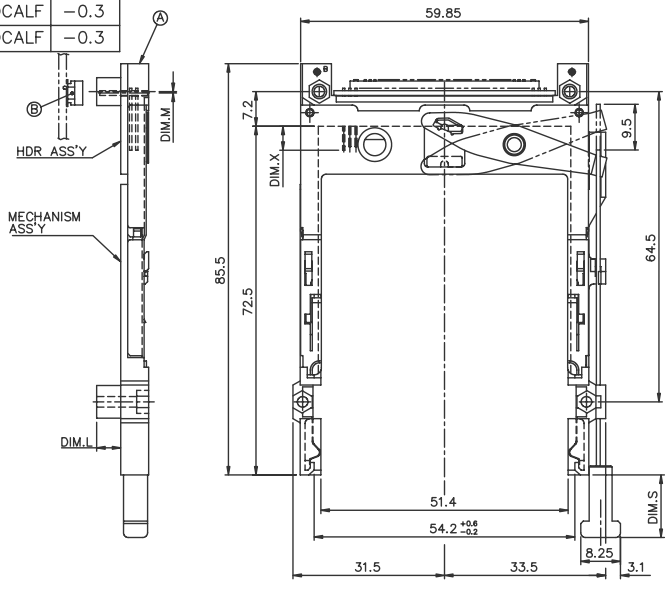
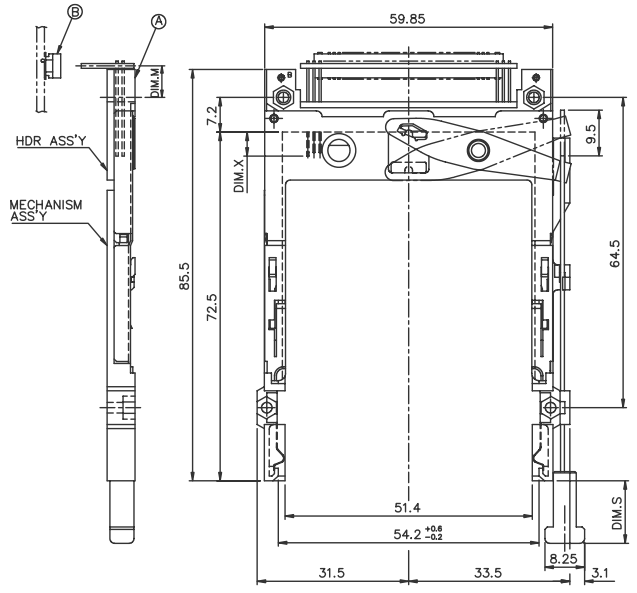
PDM: Rev:N STATUS:Released Printed: Oct 12, 2010

Tous droits strictement réservés. Reproduction ou communication à des tiers sans autorisation écrite du propriétaire.  
 All rights strictly reserved. Reproduction or communication to third parties in any form without written authority from the proprietor.  
 Copyright BERG ELECTRONICS S.A.  
 Droits de reproduction BERG ELECTRONICS S.A.

All rights strictly reserved. Reproduction or communication to third parties in any form without written authority from the proprietor.  
 Copyright BERG ELECTRONICS S.A.

| PRODUCT NO.   | DIM.M |
|---------------|-------|
| 95547-605CALF | 10.0  |
| 95547-625CALF | 9.0   |
| 95547-645CALF | 6.55  |
| 95547-655CALF | 6.55  |

| PRODUCT NO.   | DIM.M |
|---------------|-------|
| 95547-620CALF | 2.15  |
| 95547-640CALF | -0.3  |
| 95547-650CALF | -0.3  |



|            |          |                                      |      |               |                      |                        |                      |
|------------|----------|--------------------------------------|------|---------------|----------------------|------------------------|----------------------|
| mat'l code |          | tolerance unless otherwise specified |      | CUSTOMER COPY |                      | <br>www.fciconnect.com |                      |
| rev.       | ecn no.  | dr                                   | date | linear        | ± 0.3                | projection             | title                |
| L          |          |                                      |      | angles        | ± 2°                 |                        | EJECTOR HEADER ASS'Y |
| M          |          |                                      |      | dr            | WENDY CHEN 01/27/95  | unit                   | 5.0V, SMT TYPE 1/2/3 |
|            |          |                                      |      | enrg          | JOSEPH HSIA 01/27/95 | mm/inch                | product family       |
|            |          |                                      |      | chr           | JOSEPH HSIA 01/27/95 | scale                  | PCMA                 |
|            |          |                                      |      | appd          | JENN TSAO 01/27/95   | size                   | code                 |
|            |          |                                      |      |               |                      | A3                     | 95547                |
| sheet      | revision |                                      |      |               |                      |                        | dwg no.              |
| index      | sheet    |                                      |      |               |                      |                        | 95547                |
|            |          |                                      |      |               |                      |                        | sheet                |
|            |          |                                      |      |               |                      |                        | 6 of                 |

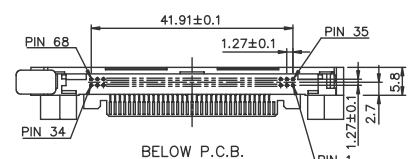
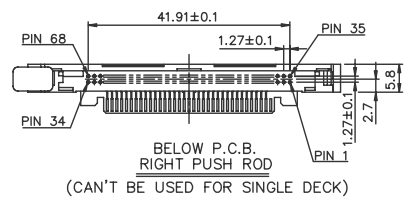
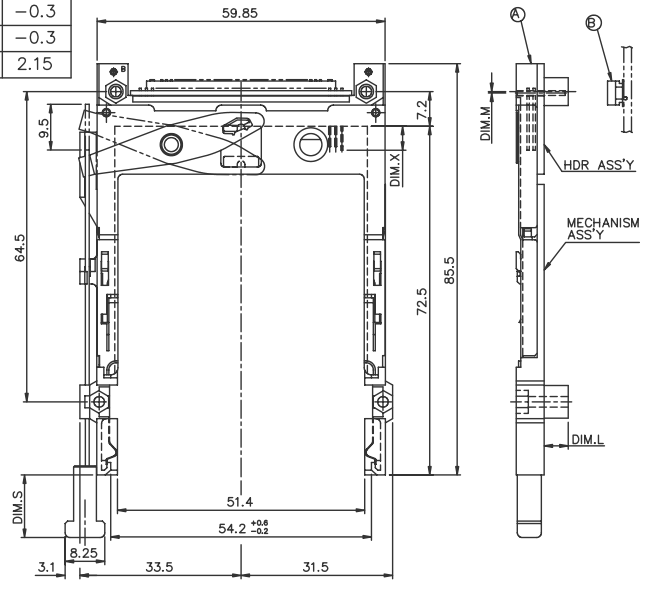
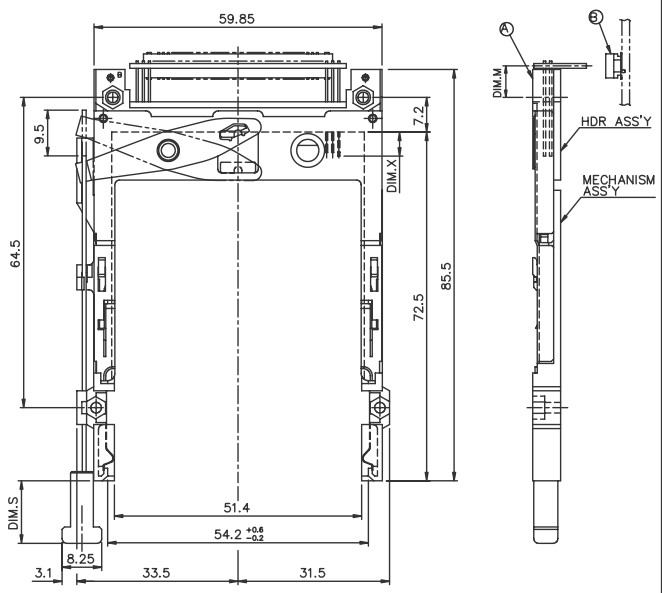
PDM: Rev:N      STATUS:Released      Printed: Oct 12, 2010

Tous droits strictement réservés. Reproduction ou communication à des tiers sans autorisation écrite du propriétaire. Copyright BERG ELECTRONICS bv

All rights strictly reserved. Reproduction or issue to third parties in any form without written authority from the proprietor. Copyright BERG ELECTRONICS bv

| PRODUCT NO. | DIM.M |
|-------------|-------|
| 95547-505CA | 10.0  |
| 95547-525CA | 9.0   |
| 95547-545CA | 6.55  |
| 95547-555CA | 6.55  |

| PRODUCT NO. | DIM.M |
|-------------|-------|
| 95547-520CA | 2.15  |
| 95547-540CA | -0.3  |
| 95547-550CA | -0.3  |
| 95547-750CA | 2.15  |



|             |                                      |                |                        |
|-------------|--------------------------------------|----------------|------------------------|
| mat'l code  | tolerance unless otherwise specified | CUSTOMER COPY  | <br>www.fciconnect.com |
| rev. L M    | linear ±0.30                         | projection     |                        |
|             | angles ± 2°                          | title          | EJECTOR HEADER ASS'Y   |
|             | dr WENDY CHEN 01/27/95               | product family | 5.0V, SMT TYPE 1/2/3   |
|             | enrg JOSEPH HSIA 01/27/95            | size           | A3                     |
|             | chr JOSEPH HSIA 01/27/95             | scale          | 95547                  |
|             | appd JENN TSAO 01/27/95              | product family | 95547                  |
| sheet index | revision sheet                       | dwg no.        | code<br>7 of           |

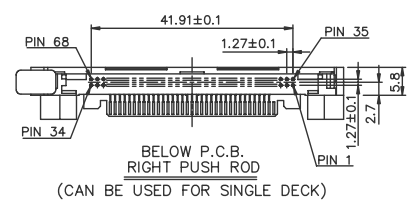
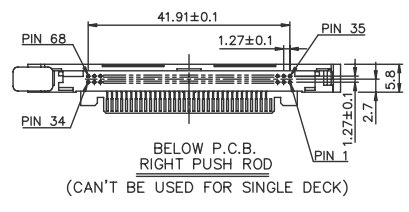
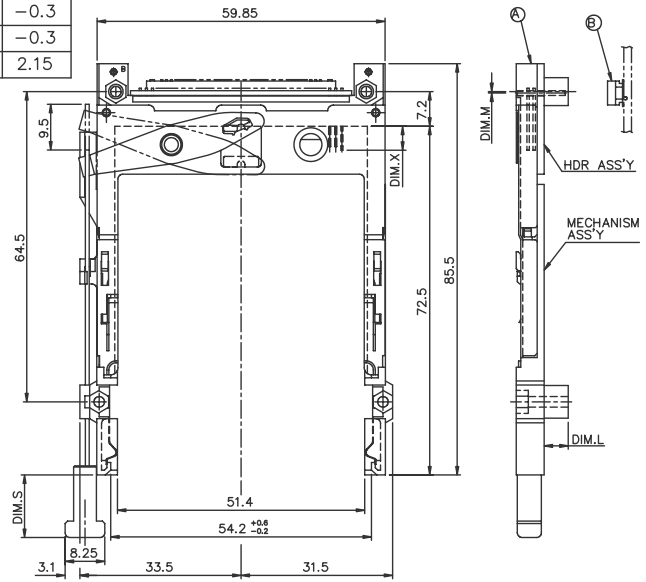
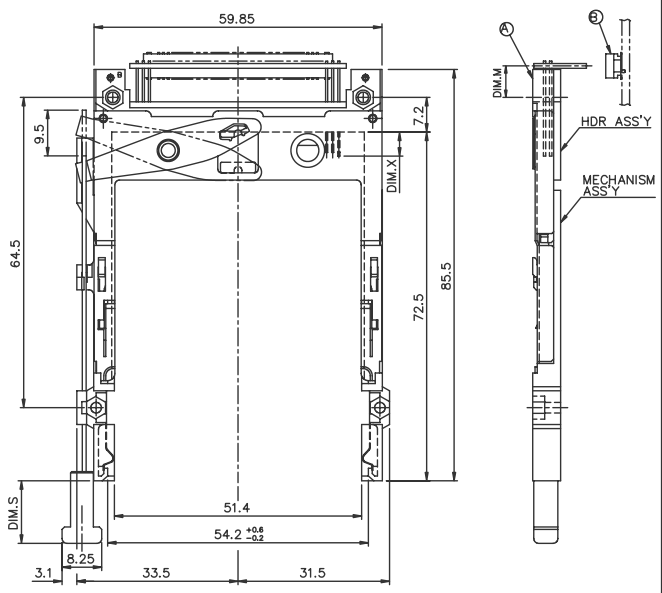
PDM: Rev:N STATUS:Released Printed: Oct 12, 2010

Tous droits strictement réservés. Reproduction ou communication à des tiers sans autorisation écrite du propriétaire. Copyright BERG ELECTRONICS bv

All rights strictly reserved. Reproduction or issue to third parties in any form without written authority from the proprietor. Copyright BERG ELECTRONICS bv

| PRODUCT NO.   | DIM.M |
|---------------|-------|
| 95547-505CALF | 10.0  |
| 95547-525CALF | 9.0   |
| 95547-545CALF | 6.55  |
| 95547-555CALF | 6.55  |

| PRODUCT NO.   | DIM.M |
|---------------|-------|
| 95547-520CALF | 2.15  |
| 95547-540CALF | -0.3  |
| 95547-550CALF | -0.3  |
| 95547-750CALF | 2.15  |



|            |          |                                      |      |               |                      |                        |                      |
|------------|----------|--------------------------------------|------|---------------|----------------------|------------------------|----------------------|
| mat'l code |          | tolerance unless otherwise specified |      | CUSTOMER COPY |                      | <br>www.fciconnect.com |                      |
| rev.       | ecn no.  | dr                                   | date | linear        | ±0.30                | projection             | title                |
| L          |          |                                      |      | angles        | ± 2°                 |                        | EJECTOR HEADER ASS'Y |
| M          |          |                                      |      | dr            | WENDY CHEN 01/27/95  | unit                   | 5.0V, SMT TYPE 1/2/3 |
|            |          |                                      |      | enrg          | JOSEPH HSIA 01/27/95 | mm/inch                | product family       |
|            |          |                                      |      | chr           | JOSEPH HSIA 01/27/95 | scale                  | PA66A                |
|            |          |                                      |      | appd          | JENN TSAO 01/27/95   | size                   | code                 |
|            |          |                                      |      |               |                      | A3                     | 95547                |
| sheet      | revision |                                      |      |               |                      |                        | dwg no.              |
| index      | sheet    |                                      |      |               |                      |                        | 8 of                 |

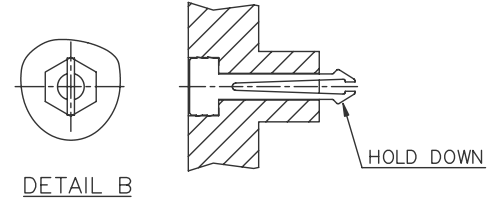
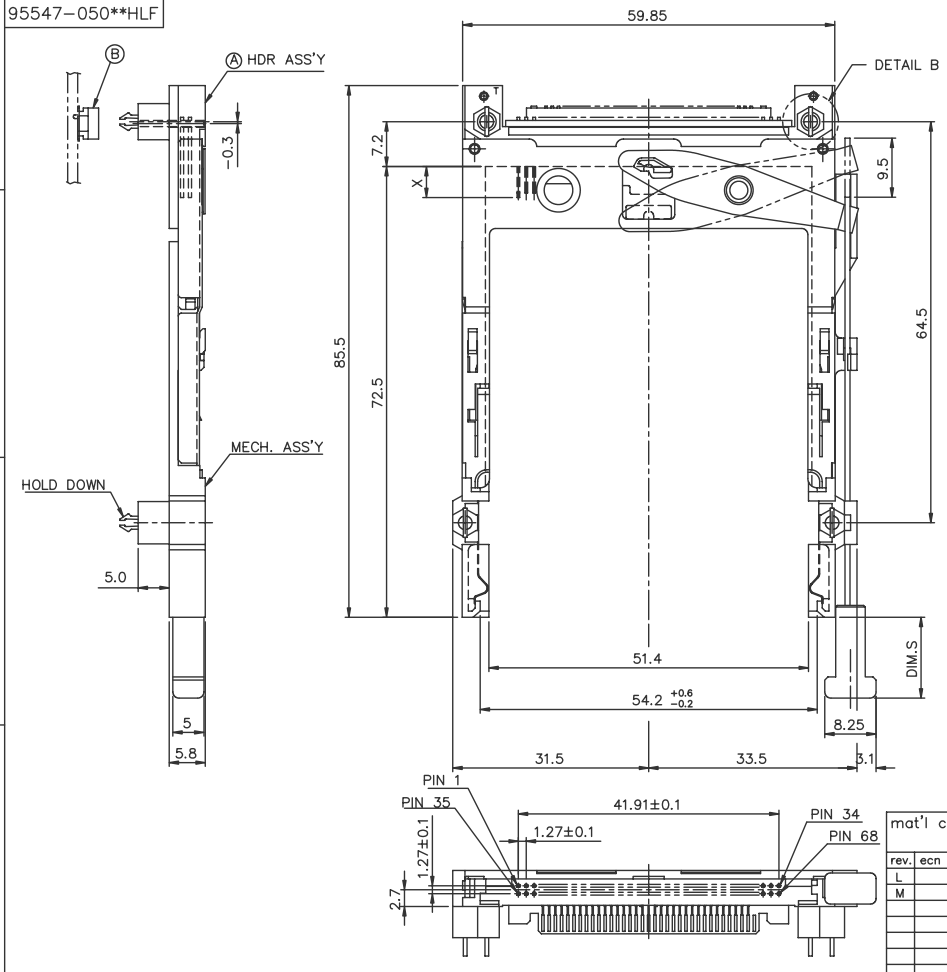
PDM: Rev:N STATUS:Released Printed: Oct 12, 2010



Tous droits strictement réservés. Reproduction ou communication à des tiers sans autorisation écrite du propriétaire.  
 All rights strictly reserved. Reproduction or issue to third parties in any form without written authority from the proprietor.  
 Copyright BERG ELECTRONICS S.p.A.

All rights strictly reserved. Reproduction or issue to third parties in any form without written authority from the proprietor.  
 Copyright BERG ELECTRONICS S.p.A.

PRODUCT NO.  
 95547-050\*\*H  
 95547-050\*\*HLF



|            |          |                                      |      |               |                      |            |                      |                    |       |
|------------|----------|--------------------------------------|------|---------------|----------------------|------------|----------------------|--------------------|-------|
| mat'l code |          | tolerance unless otherwise specified |      | CUSTOMER COPY |                      | FCI        |                      | www.fciconnect.com |       |
| rev.       | ecn no.  | dr                                   | date | linear        | ±0.3                 | projection | title                |                    |       |
| L          |          |                                      |      | angles        | ± 2°                 | ↑          | EJECTOR HEADER ASS'Y |                    |       |
| M          |          |                                      |      | dr            | WENDY CHEN 12/19/00  | unit       | 5.0V, SMT TYPE 1/2/3 |                    |       |
|            |          |                                      |      | enrg          | JOSEPH HSIA 12/19/00 | mm/inch    | product family       |                    | code  |
|            |          |                                      |      | chr           | JOSEPH HSIA 12/19/00 | scale      | size                 | dwg no.            | sheet |
|            |          |                                      |      | appd          | JOSEPH HSIA 12/19/00 | 1.4:1      | A3                   | 95547              | 9 of  |
| sheet      | revision |                                      |      |               |                      |            |                      |                    |       |
| index      | sheet    |                                      |      |               |                      |            |                      |                    |       |

PDM: Rev:N STATUS:Released Printed: Oct 12, 2010

Tous droits strictement réservés. Reproduction ou communication à des tiers sans autorisation écrite du propriétaire.  
 All rights strictly reserved. Reproduction or issue to third parties in any form without written authority from the proprietor.  
 Copyright BERG ELECTRONICS BV

DESCRIPTION : ABOVE PCB, DECK AND PUSH ROD LOCATION ARE AS VIEW BY USER.

| LOWER DECK    |                       |                     |               |                          |   |                                      |
|---------------|-----------------------|---------------------|---------------|--------------------------|---|--------------------------------------|
| ① PRODUCT NO. | STAND-OFF HIGH DIM. L | PUSH ROD LOCATION ② | P.C.B. SIDE ③ | P.C.B LAYOUT RECOMMENDED | ④ MATING RECEPTACLE                           | MOUNT STYLE TO PCB AND PUSH ROD SIDE |
| 95547-020**   | 2.2                   | RIGHT               | ABOVE         | SEE DRAWING P/N: TA-1052 | ↑<br>RECEPTACLE PART NUMBER: 91931-31169<br>↓ |                                      |
| 95547-040**   | 4.3                   |                     |               |                          |   |                                      |
| 95547-050**   | 5.0                   |                     |               |                          |   |                                      |
| 95547-050**H  | 5.0                   |                     |               |                          |   |                                      |
| 95547-250**   | 5.0                   |                     |               |                          |   |                                      |
| 95547-120**   | 2.2                   | LEFT                | ABOVE         | SEE DRAWING P/N: TA-1052 |   |                                      |
| 95547-140**   | 4.3                   |                     |               |                          |   |                                      |
| 95547-150**   | 5.0                   |                     |               |                          |   |                                      |
| 95547-322**   | 2.2                   |                     |               |                          |   |                                      |
| 95547-520**   | 2.2                   |                     |               |                          |   |                                      |
| 95547-540**   | 4.3                   | RIGHT               | BELOW         | SEE DRAWING P/N: TA-1052 |   |                                      |
| 95547-550**   | 5.0                   |                     |               |                          |   |                                      |
| 95547-750**   | 5.0                   |                     |               |                          |   |                                      |
| 95547-620**   | 2.2                   |                     |               |                          |   |                                      |
| 95547-640**   | 4.3                   |                     |               |                          |   |                                      |
| 95547-650**   | 5.0                   | LEFT                | BELOW         | SEE DRAWING P/N: TA-1052 |   |                                      |
|               |                       |                     |               |                          |   |                                      |
|               |                       |                     |               |                          |   |                                      |
|               |                       |                     |               |                          |   |                                      |
|               |                       |                     |               |                          |   |                                      |

| UPPER DECK    |  |                     |               |   |                                      |
|---------------|--|---------------------|---------------|---|--------------------------------------|
| ① PRODUCT NO. | JOINT WITH LOWER DECK STAND-OFF HIGH(DIM. L) | PUSH ROD LOCATION ② | P.C.B. SIDE ③ | ④ MATING RECEPTACLE                           | MOUNT STYLE TO PCB AND PUSH ROD SIDE |
| 95547-005**   | 0.0  | RIGHT               | ABOVE         | ↑<br>RECEPTACLE PART NUMBER: 91931-31169<br>↓ |                                      |
| 95547-025**   | 2.2  |                     |               |   |                                      |
| 95547-045**   | 4.3  |                     |               |   |                                      |
| 95547-055**   | 5.0  |                     |               |   |                                      |
| 95547-105**   | 0.0  |                     |               |   |                                      |
| 95547-125**   | 2.2  | LEFT                | ABOVE         |   |                                      |
| 95547-145**   | 4.3  |                     |               |   |                                      |
| 95547-155**   | 5.0  |                     |               |   |                                      |
| 95547-505**   | 0.0  |                     |               |   |                                      |
| 95547-525**   | 2.2  |                     |               |   |                                      |
| 95547-545**   | 4.3  | RIGHT               | BELOW         |   |                                      |
| 95547-555**   | 5.0  |                     |               |   |                                      |
| 95547-605**   | 0.0  |                     |               |   |                                      |
| 95547-625**   | 2.2  |                     |               |   |                                      |
| 95547-645**   | 4.3  |                     |               |   |                                      |
| 95547-655**   | 5.0  | LEFT                | BELOW         |   |                                      |
|               |  |                     |               |   |                                      |
|               |  |                     |               |   |                                      |
|               |  |                     |               |   |                                      |
|               |  |                     |               |   |                                      |

NOTES:  
 1. IT CAN'T BE USED FOR SINGLE DECK.  
 2. IT MUST BE ASSEMBLED BY USER FOR DOUBLE DECK APPLICATION.(PLEASE REFER TO P/N 95562)  
 3. \*\*: SEE TABLE J

- NOTES:
- 8mm MIN. CARD EJECT.
  - EJECT TRAVEL: 9.5mm
  - PUSH ROD LOCATION AND P.C.B. SIDE ARE AS APPEARS INSTALLED.
  - MATERIAL
    - 4.1 HEADER ASS'Y:  
 PLASTIC : HOUSING ...LCP UL94V-0 BLACK  
 PIN : COPPER ALLOY  
 PCB : FR4
    - 4.2 EJECT MECHANISM ASS'Y:  
 PLASTIC : GUIDE: POLYPHTHARAMID UL94V-0 BLACK  
 : PUSH ROD CAP: POLYPHTHARAMID UL94V-0  
 ,BLACK  
 PLATE AND PUSH ROD : STAINLESS  
 EMI CONTACT: PHOSPHOR BRONZE
  - FINISH (PIN)
    - UNDER PLATING : 0.5 um MIN. Ni
    - CONTACT AREA : 0.1 um MIN. GOLD OVER
    - 0.5 um MIN. Pd-Ni( OTHER VERSIONS),
    - 0.1 um MIN. GOLD OVER 0.8um MIN. Pd-Ni
    - (FOR 95547-250\*\* AND 95547-250\*\*LF ONLY)
    - SOLDER TAIL : TIN LEAD PLATING: 2.5 um MIN. Sn-Pb
    - LEAD FREE PLATING: 2.5 um MIN. PURE TIN

|          |         |                  |
|----------|---------|------------------|
| 4.25±0.1 | 3.5±0.1 | 5.0±0.1          |
| OTHERS   | 36,67   | 1,17,34,35,51,68 |

7. TABLE J
- |          |
|----------|
| ** DIM.S |
| CA 13.0  |
| DA 15.6  |
- ADD "H" TO PART NUMBER FOR OPTIONAL HOLD DOWN (4 PER ASSEMBLY).
  - IF LEAD FREE P/N, THE HOUSING WILL WITHSTAND EXPOSURE TO 260°C PEAK TEMPERATURE FOR 10 SECONDS IN A WAVE SOLDER APPLICATION WITH A 1.00MM MINIMUM THICK CIRCUIT BOARD.
  - LEAD FREE PRODUCT MEETS EUROPEAN UNION DIRECTIVES AND OTHER COUNTRY REGULATIONS AS DISCRIBED IN GS-22-008
  - IF LEAD FREE P/N, PACKAGING MEETS GS-14-920 SPECIFICATION

| TIN LEAD ORDERING INFORMATION |             |      |
|-------------------------------|-------------|------|
| NAME                          | PART NO.    | Q'TY |
| ① EJECT HEADER ASS'Y          | 95547-***** | 1    |
| ② MATING RECEPTACLE           | 91931-31169 | 1    |

|            |                                      |               |                            |                    |
|------------|--------------------------------------|---------------|----------------------------|--------------------|
| mat'l code | tolerance unless otherwise specified | CUSTOMER COPY |                            | www.fciconnect.com |
| rev. L     | linear                               | projection    | title EJECTOR HEADER ASS'Y |                    |
| ecn        | angles                               | unit          | 5.0V, SMT TYPE 1/2/3       |                    |
| no.        | dr WENDY CHEN 01/27/95               | mm/inch       | product family             | PCMG               |
| date       | enrg JOSEPH HSIA 01/27/95            | scale         | size                       | dwg no.            |
|            | chr JOSEPH HSIA 01/27/95             | 1:1           | A3                         | 95547              |
|            | appd JENN TSAO 01/27/95              |               |                            | sheet 100f         |
| sheet      | revision                             |               |                            |                    |
| index      | sheet                                |               |                            |                    |

Tous droits strictement réservés. Reproduction ou communication à des tiers sans autorisation écrite du propriétaire.  
 All rights strictly reserved. Reproduction or communication to third parties in any form without written authority from the proprietor.  
 Copyright BERG ELECTRONICS S.p.A.  
 Droits de reproduction BERG ELECTRONICS S.p.A.

All rights strictly reserved. Reproduction or communication to third parties in any form without written authority from the proprietor.  
 Copyright BERG ELECTRONICS S.p.A.

DESCRIPTION : ABOVE PCB, DECK AND PUSH ROD LOCATION ARE AS VIEW BY USER.

| LOWER DECK       |                       |                     |               |                          |                     |                                      |
|------------------|-----------------------|---------------------|---------------|--------------------------|---------------------|--------------------------------------|
| ① PRODUCT NO.    | STAND-OFF HIGH DIM. L | PUSH ROD LOCATION ② | P.C.B. SIDE ③ | P.C.B LAYOUT RECOMMENDED | ④ MATING RECEPTACLE | MOUNT STYLE TO PCB AND PUSH ROD SIDE |
| 95547-020**LF    | 2.2                   | RIGHT               | ABOVE         | SEE DRAWING P/N: TA-1052 | ↑                   |                                      |
| 95547-040**LF    | 4.3                   |                     |               |                          |                     |                                      |
| 95547-050**LF    | 5.0                   |                     |               |                          |                     |                                      |
| 95547-050**HLF   | 5.0                   |                     |               |                          |                     |                                      |
| 95547-250**LF    | 5.0                   |                     |               |                          |                     |                                      |
| 95547-120**LF    | 2.2                   | LEFT                | ABOVE         | SEE DRAWING P/N: TA-1052 | ↑                   |                                      |
| 95547-140**LF    | 4.3                   |                     |               |                          |                     |                                      |
| 95547-150**LF    | 5.0                   |                     |               |                          |                     |                                      |
| ⚠ 95547-150**HLF | 5.0                   |                     |               |                          |                     |                                      |
| 95547-322**LF    | 2.2                   |                     |               |                          |                     |                                      |
| 95547-520**LF    | 2.2                   | RIGHT               | BELOW         | SEE DRAWING P/N: TA-1052 | ↓                   |                                      |
| 95547-540**LF    | 4.3                   |                     |               |                          |                     |                                      |
| 95547-550**LF    | 5.0                   |                     |               |                          |                     |                                      |
| 95547-750**LF    | 5.0                   |                     |               |                          |                     |                                      |
| 95547-620**LF    | 2.2                   |                     |               |                          |                     |                                      |
| 95547-640**LF    | 4.3                   | LEFT                | BELOW         | SEE DRAWING P/N: TA-1052 | ↓                   |                                      |
| 95547-650**LF    | 5.0                   |                     |               |                          |                     |                                      |

| UPPER DECK    |  |                     |               |                          |                     |                                      |
|---------------|--|---------------------|---------------|--------------------------|---------------------|--------------------------------------|
| ① PRODUCT NO. | JOINT WITH LOWER DECK STAND-OFF HIGH(DIM. L) | PUSH ROD LOCATION ② | P.C.B. SIDE ③ | P.C.B LAYOUT RECOMMENDED | ④ MATING RECEPTACLE | MOUNT STYLE TO PCB AND PUSH ROD SIDE |
| 95547-005**LF | 0.0  | RIGHT               | ABOVE         |                          | ↑                   |                                      |
| 95547-025**LF | 2.2  |                     |               |                          |                     |                                      |
| 95547-045**LF | 4.3  |                     |               |                          |                     |                                      |
| 95547-055**LF | 5.0  |                     |               |                          |                     |                                      |
| 95547-105**LF | 0.0  |                     |               |                          |                     |                                      |
| 95547-125**LF | 2.2  | LEFT                | ABOVE         |                          | ↑                   |                                      |
| 95547-145**LF | 4.3  |                     |               |                          |                     |                                      |
| 95547-155**LF | 5.0  |                     |               |                          |                     |                                      |
| 95547-505**LF | 0.0  |                     |               |                          |                     |                                      |
| 95547-525**LF | 2.2  |                     |               |                          |                     |                                      |
| 95547-545**LF | 4.3  | RIGHT               | BELOW         |                          | ↓                   |                                      |
| 95547-555**LF | 5.0  |                     |               |                          |                     |                                      |
| 95547-605**LF | 0.0  |                     |               |                          |                     |                                      |
| 95547-625**LF | 2.2  |                     |               |                          |                     |                                      |
| 95547-645**LF | 4.3  |                     |               |                          |                     |                                      |
| 95547-655**LF | 5.0  | LEFT                | BELOW         |                          | ↓                   |                                      |
| 95547-655**LF | 5.0  |                     |               |                          |                     |                                      |

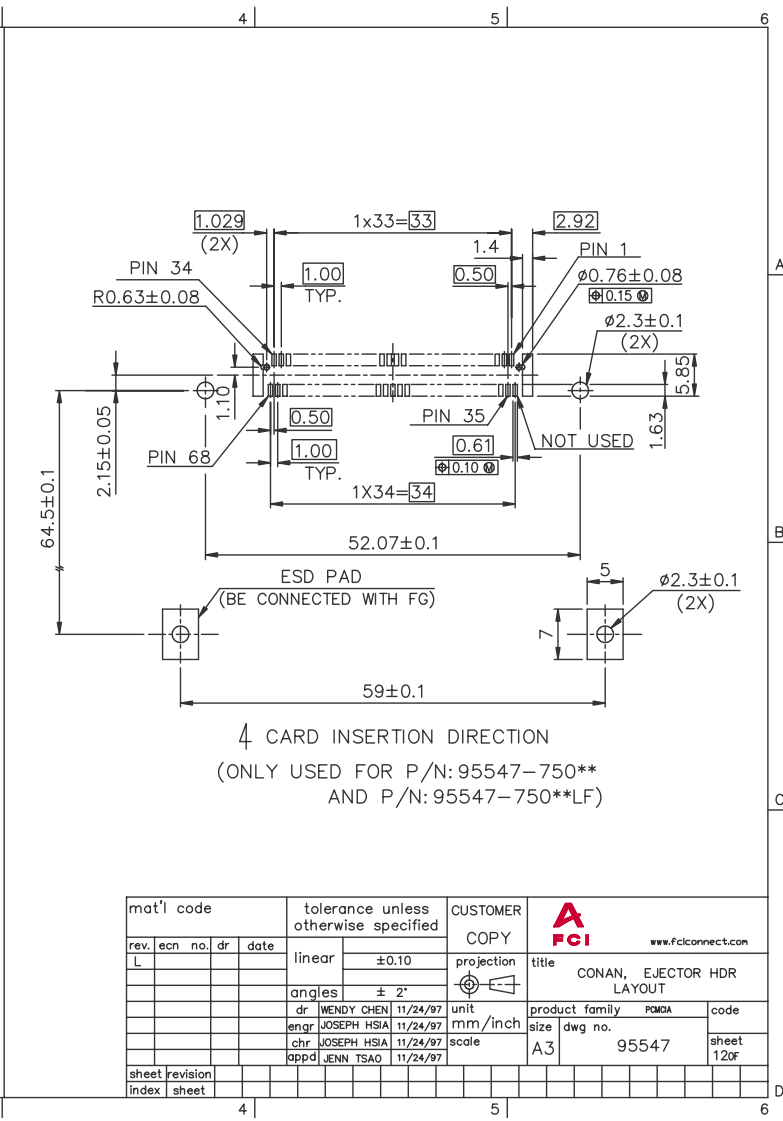
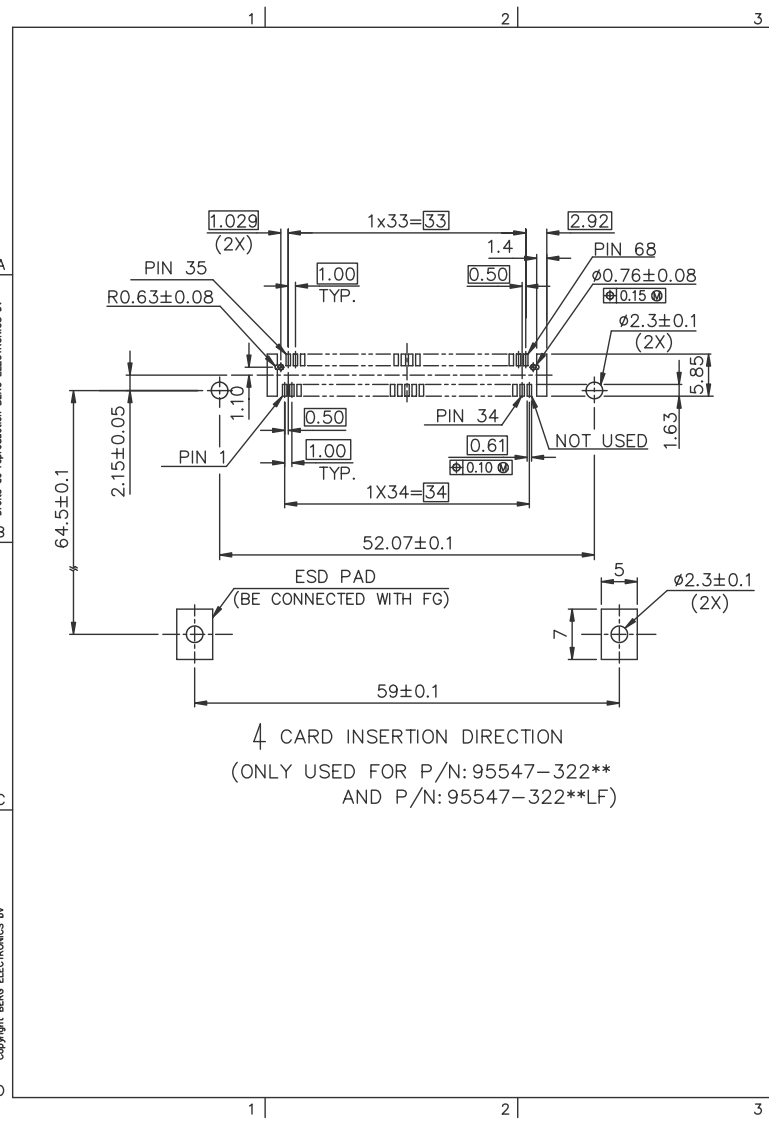
NOTES:  
 1. IT CAN'T BE USED FOR SINGLE DECK.  
 2. IT MUST BE ASSEMBLED BY USER FOR DOUBLE DECK APPLICATION.(PLEASE REFER TO P/N 95562)  
 3. \*\* : SEE TABLE J

| LEAD FREE ORDERING INFORMATION |               |      |
|--------------------------------|---------------|------|
| NAME                           | PART NO.      | Q'TY |
| ① EJECT HEADER ASS'Y           | 95547-****LF  | 1    |
| ② MATING RECEPTACLE            | 91931-31169LF | 1    |

|             |                                      |               |   |
|-------------|--------------------------------------|---------------|---|
| mat'l code  | tolerance unless otherwise specified | CUSTOMER COPY | <b>FCI</b> www.fciconnect.com                   |
| rev. N      | linear                               | projection    | title EJECTOR HEADER ASS'Y 5.0V, SMT TYPE 1/2/3 |
| ecn         | angles                               | unit          | product family PAKA code                        |
| no. dr      | dr WENDY CHEN 01/27/95               | mm/inch       | size dwg no. 95547 sheet 11 of                  |
| date        | enrg JOSEPH HSIA 01/27/95            | scale         |   |
|             | chr JOSEPH HSIA 01/27/95             | 1:1           |   |
|             | appd JENN TSAO 01/27/95              |               |   |
| sheet index | revision sheet                       |               |   |

Tous droits strictement réservés. Reproduction ou communication, o des tiers int  
 propreté de BERG ELECTRONICS.  
 droits de reproduction BERG ELECTRONICS by

All rights strictly reserved. Reproduction or issue to third parties in any for  
 as not permitted without written authority from the proprietor.  
 Copyright BERG ELECTRONICS by



|            |          |                                      |      |               |                      |                        |                           |
|------------|----------|--------------------------------------|------|---------------|----------------------|------------------------|---------------------------|
| mat'l code |          | tolerance unless otherwise specified |      | CUSTOMER COPY |                      | <br>www.fciconnect.com |                           |
| rev.       | ecn no.  | dr                                   | date | linear        | ±0.10                | projection             | title                     |
| L          |          |                                      |      | angles        | ± 2°                 |                        | CONAN, EJECTOR HDR LAYOUT |
|            |          |                                      |      | dr            | WENDY CHEN 11/24/97  | unit                   | product family            |
|            |          |                                      |      | enrg          | JOSEPH HSIA 11/24/97 | mm/inch                | PWGMA                     |
|            |          |                                      |      | chr           | JOSEPH HSIA 11/24/97 | size                   | dwg no.                   |
|            |          |                                      |      | appd          | JENN TSAO 11/24/97   | scale                  | 95547                     |
| sheet      | revision |                                      |      |               |                      |                        | code                      |
| index      | sheet    |                                      |      |               |                      |                        | sheet 12of                |

PDM: Rev:N STATUS:Released Printed: Oct 12, 2010