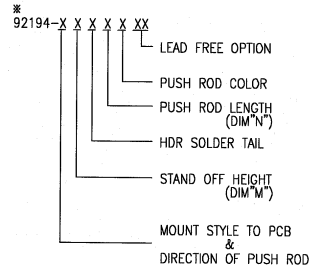


PRODUCT NO.  
92194

REVISIONS				
REV	DESCRIPTION	ECN	BY	DATE
A	RELEASED	U30022	N.T	1/19/05
B	REVISED	U30062	N.T	5/2/05
C	REVISED	J40349	M.K	1/23/05
D	REVISED	M69558	M.K	1/29/06
E	REVISED	N90078	M.K	1/22/09
F	REVISED	104-0868	M.H	10/16/04
G	REVISED	105-0367	M.H	10/17/05

PRODUCT NO. #92194-XXXXX	STAND OFF DIM "M"(mm)	UPPER DECK			LOWER DECK			DIM "P" (mm)	HDR COLOR	SHEET NO.	MOUNTING STYLE TO PCB & DIRECTION OF PUSH ROD
		(MECH+HDR) 92111-XXXXX	(MECH) 92192-XXXX	(HDR) 92140-XXX	(MECH+HDR) 92193-XXXXX	(MECH) 92192-XXXX	(HDR) 92140-XXX				
000CA	0	000CA	00CA	005	100CA	10CA	000	2.8	BLACK	NO.2	
000CALF	0	000CALF	00CA	005LF	100CALF	10CA	000LF	2.8	BLACK		
020CA	2	020CA	00CA	045	120CA	12CA	040	2.5	BLACK	NO.3	
020CALF	2	020CALF	00CA	045LF	120CALF	12CA	040LF	2.5	BLACK		
100CA	0	100CA	10CA	005	000CA	00CA	000	2.8	BLACK	NO.4	
100CALF	0	100CALF	10CA	005LF	000CALF	00CA	000LF	2.8	BLACK		
120CA	2	120CA	10CA	045	020CA	02CA	040	2.5	BLACK	NO.5	
120CALF	2	120CALF	10CA	045LF	020CALF	02CA	040LF	2.5	BLACK		
200CA	0	000CA	00CA	005	000CA	00CA	000	2.8	BLACK	NO.6	
200CALF	0	000CALF	00CA	005LF	000CALF	00CA	000LF	2.8	BLACK		
200FA	0	000FA	00FA	005	000FA	00FA	000	2.8	BLACK	NO.7	
200FALF	0	000FALF	00FA	005LF	000FALF	00FA	000LF	2.8	BLACK		
220CA	2	020CA	00CA	045	020CA	02CA	040	2.5	BLACK	NO.8	
220CALF	2	020CALF	00CA	045LF	020CALF	02CA	040LF	2.5	BLACK		
300CA	0	100CA	10CA	005	100CA	10CA	000	2.8	BLACK	NO.9	
300CALF	0	100CALF	10CA	005LF	100CALF	10CA	000LF	2.8	BLACK		
320CA	2	120CA	10CA	045	120CA	12CA	040	2.5	BLACK	NO.10	
320CALF	2	120CALF	10CA	045LF	120CALF	12CA	040LF	2.5	BLACK		
320FA	2	120FA	10FA	045	120FA	12FA	040	2.5	BLACK	NO.11	
320FALF	2	120FALF	10FA	045LF	120FALF	12FA	040LF	2.5	BLACK		
500CA	0	600CA	00CA	505	500CA	10CA	500	2.8	NATURAL	NO.12	
500CALF	0	600CALF	00CA	505LF	500CALF	10CA	500LF	2.8	NATURAL		
500FA	0	600FA	00FA	505	500FA	10FA	500	2.8	NATURAL	NO.13	
500FALF	0	600FALF	00FA	505LF	500FALF	10FA	500LF	2.8	NATURAL		
520CA	2	620CA	00CA	545	520CA	12CA	540	2.5	NATURAL	NO.14	
520CALF	2	620CALF	00CA	545LF	520CALF	12CA	540LF	2.5	NATURAL		
600CA	0	500CA	10CA	505	600CA	00CA	500	2.8	NATURAL	NO.15	
600CALF	0	500CALF	10CA	505LF	600CALF	00CA	500LF	2.8	NATURAL		
620CA	2	520CA	10CA	545	620CA	02CA	540	2.5	NATURAL	NO.16	
620CALF	2	520CALF	10CA	545LF	620CALF	02CA	540LF	2.5	NATURAL		
700CA	0	500CA	10CA	505	500CA	10CA	500	2.8	NATURAL	NO.17	
700CALF	0	500CALF	10CA	505LF	500CALF	10CA	500LF	2.8	NATURAL		
720CA	2	520CA	10CA	545	520CA	12CA	540	2.5	NATURAL	NO.18	
720CALF	2	520CALF	10CA	545LF	520CALF	12CA	540LF	2.5	NATURAL		
800CA	0	600CA	00CA	505	600CA	00CA	500	2.8	NATURAL	NO.19	
800CALF	0	600CALF	00CA	505LF	600CALF	00CA	500LF	2.8	NATURAL		
820CA	2	620CA	00CA	545	620CA	02CA	540	2.5	NATURAL	NO.20	
820CALF	2	620CALF	00CA	545LF	620CALF	02CA	540LF	2.5	NATURAL		



- NONE : NO  
 LF : YES (SEE NOTE1)  
 A : BLACK  
 C : 13mm  
 F : 21mm  
 0 : R/A
- 0 : 0mm(NONE)  
 2 : 2mm
- 0 : TOP MOUNT & RIGHT-LEFT PUSH ROD  
 1 : TOP MOUNT & LEFT-RIGHT PUSH ROD  
 2 : TOP MOUNT & RIGHT-RIGHT PUSH ROD  
 3 : TOP MOUNT & LEFT-LEFT PUSH ROD  
 5 : BOTTOM MOUNT & RIGHT-LEFT PUSH ROD  
 6 : BOTTOM MOUNT & LEFT-RIGHT PUSH ROD  
 7 : BOTTOM MOUNT & RIGHT-RIGHT PUSH ROD  
 8 : BOTTOM MOUNT & LEFT-LEFT PUSH ROD

NOTE  
 1. THIS PRODUCT MEETS EUROPEAN UNION DIRECTIVES AND OTHER COUNTRY REGULATIONS AS DESCRIBED IN CS-22-008.

SHEET INDEX	ISSUE SH NO.	G	C	C	D	D	D	D	C	D	C								
TOLERANCES UNLESS OTHERWISE SPECIFIED		MAY		---		---		---		---		---		---		---		---	
LINEAR		FINISH		---		---		---		---		---		---		---		---	
ANGLES		---		---		---		---		---		---		---		---		---	

**FCI**

TITLE 6BP DOUBLE EJECTOR HEADER ASSY FOR TYPE 1/1/1/1

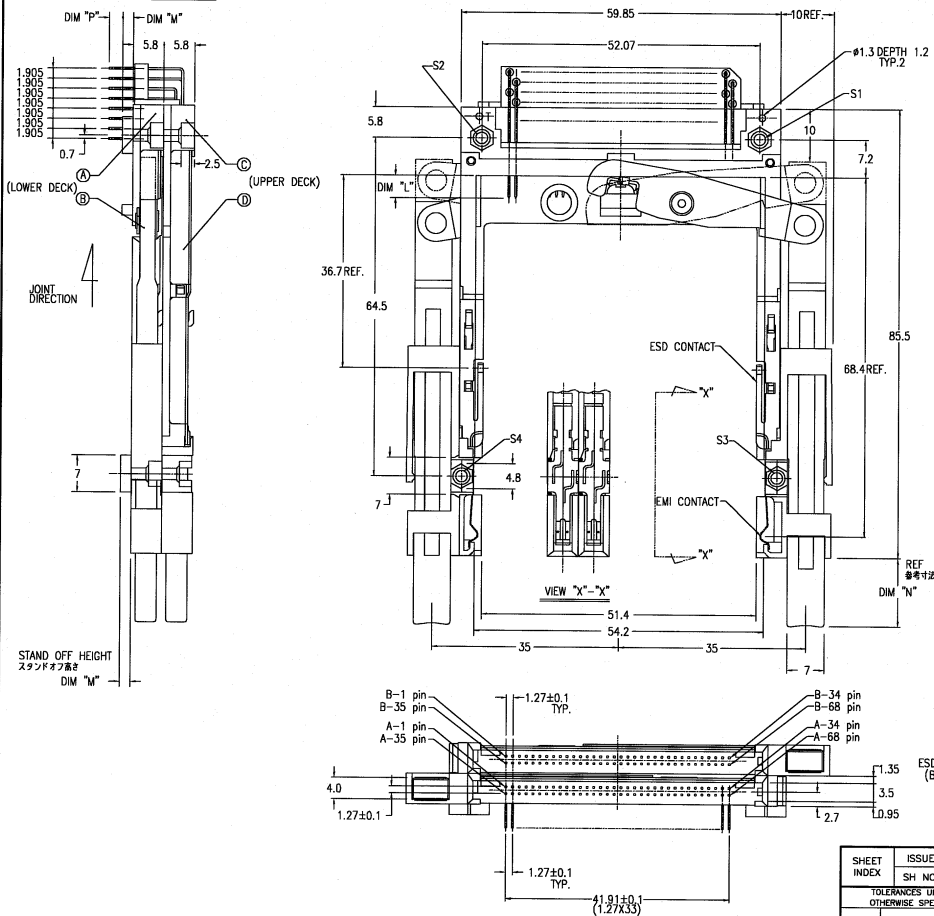
PRODUCT FAMILY SANF Header PCMDA CODE JP

SCALE SIZE DWG. NO. 92194 REV SHEET C 1 of 9

3F-033A REV F  
 DO NOT SCALE PRINT THIS INFORMATION IS CONFIDENTIAL AND IS DISCLOSED TO YOU ON CONDITION THAT NO FURTHER DISCLOSURE IS MADE BY YOU TO OTHER THAN FCI PERSONNEL WITHOUT WRITTEN AUTHORIZATION FROM FCI JAPAN K.K.

PART NO.	
92194-000CA	92194-000CALF
92194-020CA	92194-020CALF

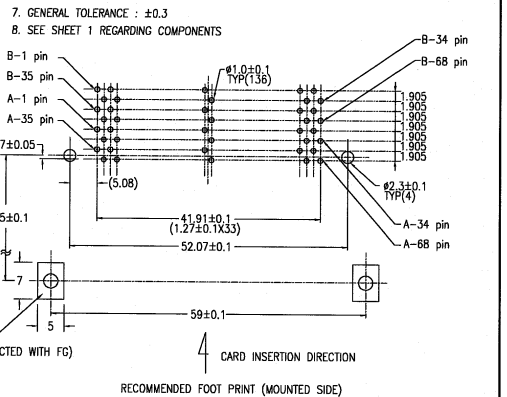
REVISIONS				
REV	DESCRIPTION	ECN	BY	DATE
A	RELEASED	J30022	N.T	1/19/93
B	REVISED	J40349	M.K	1/23/95
C	REVISED	J95-0387	M.Hg	1/17/95



- NOTE
- EJECT FORCE 3.5kg MAX.
  - ASSY PROCESS
    - TO MOUNT PART ①, ② ON PWB WITH SCREW (S1,S2) AND SOLDER.
    - TO JOINT PART ③, ④ INTO PART ⑤, ⑥ THEN FIX PART ③, ④ WITH 2 SCREWS (S3,S4).
  - EJECT TRAVEL 8.0mm

- ③ MATERIAL
- PART ①, ② (HEADER ASSY)
    - PLASTIC : HOUSING : LCP UL94V-0 BLACK
    - LOCATOR : G.F.6/6 NYLON UL94V-0 BLACK
    - PIN : PHOSPHOR BRONZE
  - PART ③, ④ (EJECT MECHANISM ASSY)
    - PLASTIC : GUIDE : POLYETHYLENE TEREPHTHALATE UL94V-0 BLACK
    - PUSH ROD : POLYETHYLENE TEREPHTHALATE UL94V-0 BLACK
    - PLATE : STAINLESS
    - EMI CONTACT : PHOSPHOR BRONZE

4.25±0.1	3.5±0.1	5.0±0.1
OTHERS	36.67	37.74
		35.50



DF-003A REV F  
DO NOT SCALE. PRINT THIS INFORMATION IS CONFIDENTIAL AND IS DISCLOSED TO YOU ON CONDITION THAT NO FURTHER DISCLOSURE IS MADE BY YOU TO OTHER THAN FCI PERSONNEL WITHOUT WRITTEN AUTHORIZATION FROM FCI JAPAN K.K.

SHEET INDEX	ISSUE SH. NO.	DATE	BY	CHK	APPD	UNIT	SCALE	DWG. NO.	REV	SHEET

TOLERANCES UNLESS OTHERWISE SPECIFIED

SEE NOTE ①

FINISH

SEE NOTE ②

ANGLES

DR. M. Hasegawa 6/17/95

ENG. M. Hasegawa 6/17/95

CHK. M. Hasegawa 6/21/95

APPD. M. Hasegawa 6/21/95

CUSTOMER COPY

PRODUCT FAMILY: SHARP Header PCMCIA

SCALE: 2/1

DWG. NO.: 92194

REV: C

SHEET: 2 of





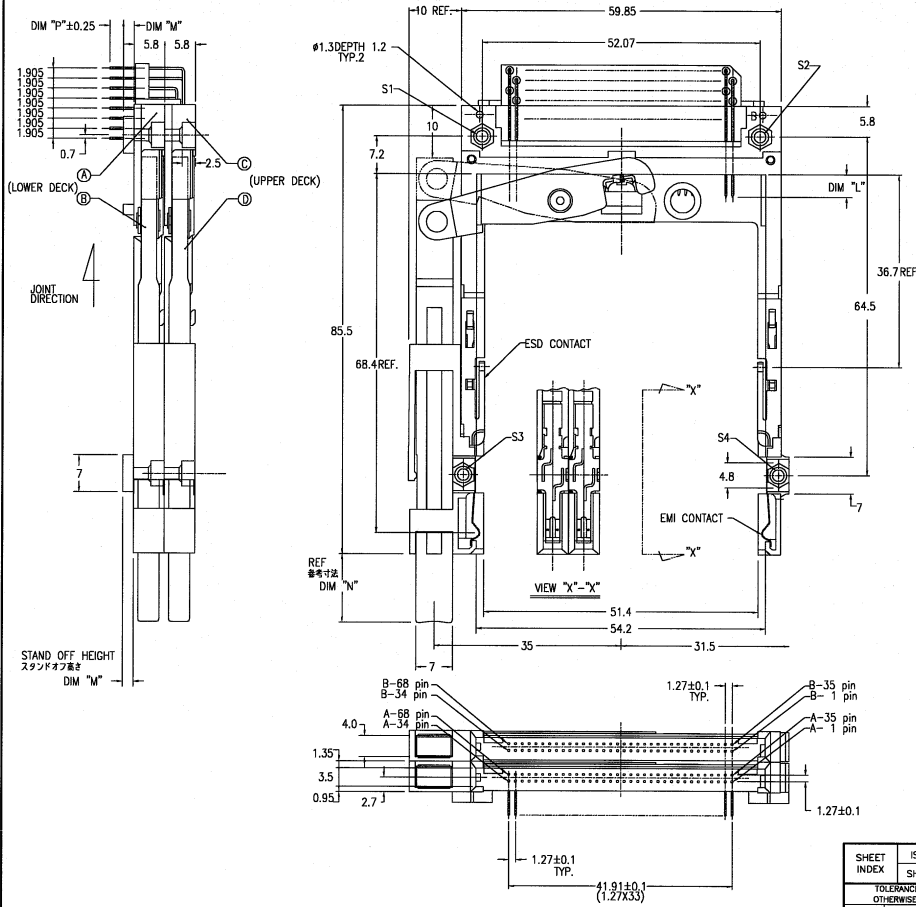






PART NO.	
92194-700CA	92194-700CALF
92194-720CA	92194-720CALF

REVISIONS				
REV	DESCRIPTION	ECN	BY	DATE
A	RELEASED	J30022	N.T	1/19/93
B	REVISED	J30062	N.T	2/2/93
C	REVISED	J40349	M.K	1/23/95
D	REVISED	105-0307	M.HR	1/17/95



- NOTE
- EJECT FORCE 3.5kg MAX.
  - ASSY PROCESS
  - 2.1 TO MOUNT PART ④, ⑤ ON PWB WITH SCREW (S1,S2) AND SOLDER.
  - 2.2 TO JOINT PART ⑥, ⑦ INTO PART ④ THEN FIX PART ⑥, ⑦ WITH 2 SCREWS (S3,S4).
  - EJECT TRAVEL 8.0mm
  - MATERIAL

④ 1.1 PART ④ (HEADER ASSY)  
 PLASTIC : HOUSING : LCP UL94V-0 NATURAL  
 LOCATOR : G.F.6/6 NYLON UL94V-0 BLACK  
 PIN : PHOSPHOR BRONZE

④ 1.2 PART ④ (EJECT MECHANISM ASSY)  
 PLASTIC : GUIDE : POLYIMIDAMIDE UL94V-0 BLACK  
 PUSH ROD : POLYIMIDAMIDE UL94V-0 BLACK  
 PLATE : STAINLESS  
 EMI CONTACT : PHOSPHOR BRONZE

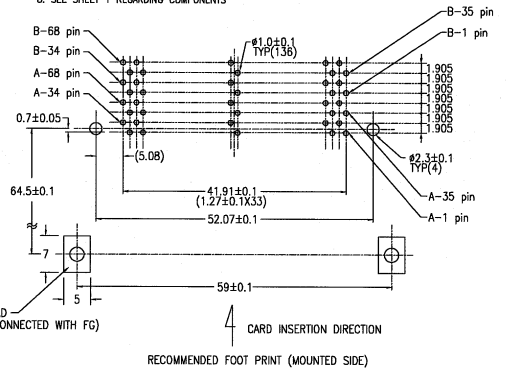
⑤ -1 FINISH (PIN)  
 UNDER PLATING : 0.5 μm MIN. Ni  
 CONTACT AREA : 0.1 μm MIN. GOLD OVER 0.5 m MIN. Pd-Ni  
 SOLDER TAIL : 2.5 μm MIN. Sn-Pb.

⑤ -2 FINISH (PIN) FOR -\*\*\*\*\*LF  
 UNDER PLATING : 0.5 μm MIN. Ni  
 CONTACT AREA : 0.1 μm MIN. GOLD OVER 0.5 μm MIN. Pd-Ni  
 SOLDER TAIL : 2.5 μm MIN. Sn.

6. DIM "L"

4.25±0.1	3.5±0.1	5.0±0.1
OTHERS	36.67	31.75

- GENERAL TOLERANCE : ±0.3
- SEE SHEET 1 REGARDING COMPONENTS



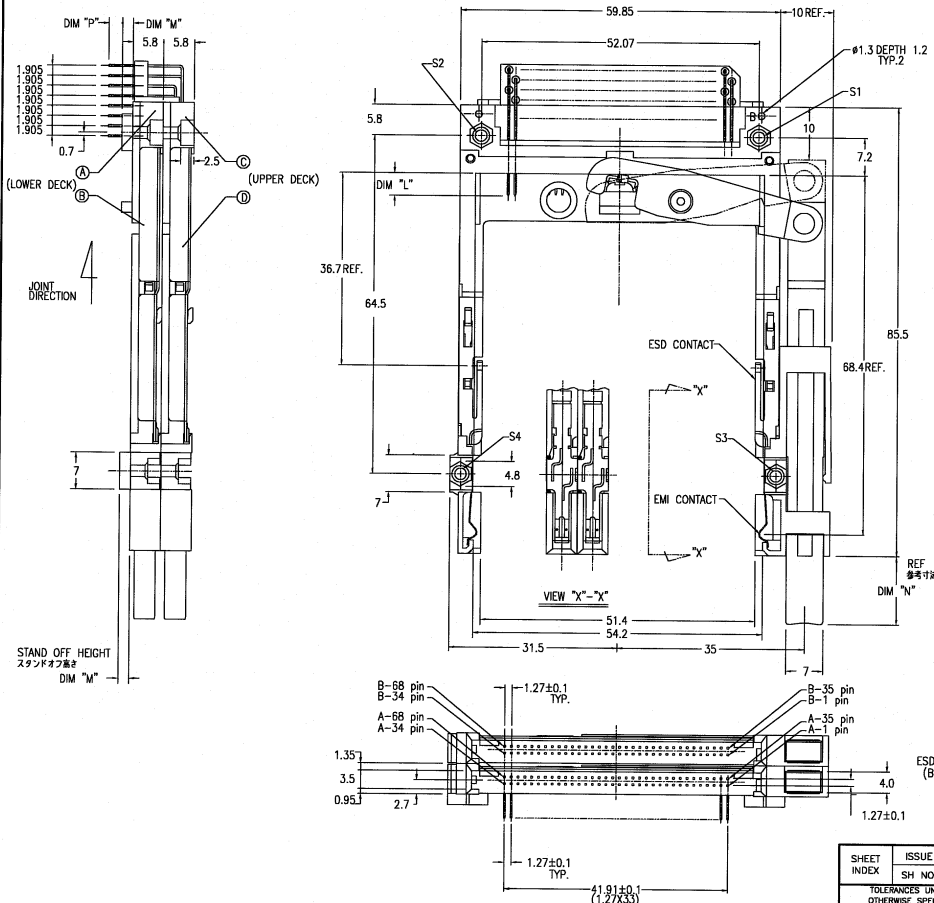
DF-003A REV 1  
 DO NOT SCALE PRINT THIS INFORMATION IS CONFIDENTIAL AND IS DISCLOSED TO YOU ON CONDITION THAT NO FURTHER DISCLOSURE IS MADE BY YOU TO OTHER THAN FCI PERSONNEL WITHOUT WRITTEN AUTHORIZATION FROM FCI JAPAN K.K.

SHEET INDEX	ISSUE	SH. NO.	DATE	CUSTOMER COPY	TITLE	PRODUCT FAMILY	SCALE	SIZE	DWG. NO.	REV	SHEET
					68B DOUBLE EJECTOR HEADER ASSY FOR TYPE 1 / W / M	Header PCMCIA	2/1	C	92194	D	80F



PART NO.	
92194-800CA	92194-800CALF
92194-820CA	92194-820CALF

REVISIONS			
REV	DESCRIPTION	ECN	BY DATE
A	RELEASED		N.T/19/92
B	REVISED	140.349	M.K/23/95
C	REVISED	105-0367	M.H/17/95



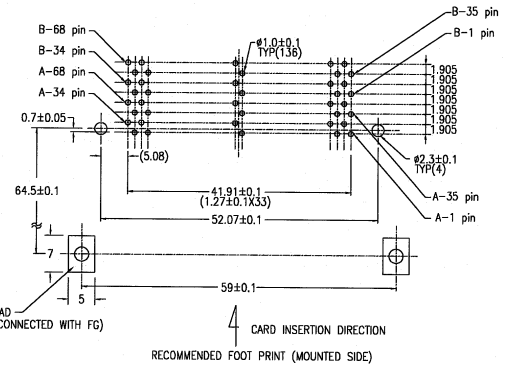
NOTE

- EJECT FORCE 3.5kg MAX.
- ASSY PROCESS
  - TO MOUNT PART ①, ② ON PWB WITH SCREW (S1,S2) AND SOLDER.
  - TO JOINT PART ③, ④ INTO PART ⑤ THEN FIX PART ⑥, ⑦ WITH 2 SCREWS (S3,S4).
- EJECT TRAVEL 8.0mm
- MATERIAL
  - PART ①, ② (HEADER ASSY)
    - PLASTIC : HOUSING : LCP UL94V-0 NATURAL
    - LOCATOR : G.F.6/6 NYLON UL94V-0 BLACK
    - PIN : PHOSPHOR BRONZE
  - PART ③, ④ (EJECT MECHANISM ASSY)
    - PLASTIC : GUIDE : POLYETHYLENE TEREPHTHALATE UL94V-0 BLACK
    - PUSH ROD : POLYETHYLENE TEREPHTHALATE UL94V-0 BLACK
    - PLATE : STAINLESS
    - EMI CONTACT : PHOSPHOR BRONZE
- 1 FINISH (PIN)
  - UNDER PLATING : 0.5 μm MIN. Ni
  - CONTACT AREA : 0.1 μm MIN. GOLD OVER 0.5 μm MIN. Pd-Ni
  - SOLDER TAIL : 2.5 μm MIN. Sn-Pb.
- 2 FINISH (PIN) (FOR -\*\*\*\*\*LF)
  - UNDER PLATING : 0.5 μm MIN. Ni
  - CONTACT AREA : 0.1 μm MIN. GOLD OVER 0.5 μm MIN. Pd-Ni
  - SOLDER TAIL : 2.5 μm MIN. Sn.

6. DIM "L"

4.25±0.1	3.5±0.1	5.0±0.1
OTHERS	36.67	35.50

7. GENERAL TOLERANCE : ±0.3  
8. SEE SHEET 1 REGARDING COMPONENTS.



68-003A REV F  
DO NOT SCALE. PRINT THIS INFORMATION IS CONFIDENTIAL AND IS DISCLOSED TO YOU ON CONDITION THAT NO FURTHER DISCLOSURE IS MADE BY YOU TO OTHER THAN FCI PERSONNEL WITHOUT WRITTEN AUTHORIZATION FROM FCI JAPAN K.K.

SHEET INDEX	ISSUE SH NO.	MAY	DR. H. Haragawa	DATE	CUSTOMER COPY	TITLE	PRODUCT FAMILY	SCALE	SIZE	DWG. NO.	REV	SHEET
		SEE NOTE ①	DR. H. Haragawa	6/17/95		68P DOUBLE EJECTOR HEADER ASSY FOR TYPE 1/II/III	Header PCMCIA	2/1	C	92194	C	9 of
		SEE NOTE ②	DR. H. Haragawa	6/24/95								