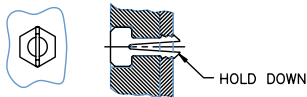


DESCRIPTION: ABOVE AND BELOW P.C.B., DECK AND PUSH-ROD LOCATION ARE AS VIEW BY USER.

PRODUCT NO. 74443-XXXX NOTE ②	PCB SIDE	PUSH ROD LOCATION	SOLDER TAIL ①	STAND-OFF HEIGHT DIM "L"	EJ. HEADER ASSY 92140-XXX ④	EJ. MECHANISM ASSY 94613-XXXX ⑤	MOUNTING STYLE TO PCB AND PUSH-ROD LOCATION
000CA	ABOVE	RIGHT	R/A	0.0	000	00CA	
001CA	ABOVE	RIGHT	SMT-STG	0.0	001	00CA	
002CA	ABOVE	RIGHT	SMT-IL	0.0	002	00CA	
020CA	ABOVE	RIGHT	R/A	2.0	040	02CA	
040CA	ABOVE	RIGHT	R/A	4.0	010	04CA	
050CA	ABOVE	RIGHT	R/A	5.0	020	05CA	
100CA	ABOVE	LEFT	R/A	0.0	000	10CA	
101CA	ABOVE	LEFT	SMT-STG	0.0	001	10CA	
102CA	ABOVE	LEFT	SMT-IL	0.0	002	10CA	
120CA	ABOVE	LEFT	R/A	2.0	040	12CA	
140CA	ABOVE	LEFT	R/A	4.0	010	14CA	
150CA	ABOVE	LEFT	R/A	5.0	020	15CA	
500CA	BELOW	RIGHT	R/A	0.0	500	10CA	
501CA	BELOW	RIGHT	SMT-STG	0.0	501	10CA	
502CA	BELOW	RIGHT	SMT-IL	0.0	502	10CA	
520CA	BELOW	RIGHT	R/A	2.0	540	12CA	
540CA	BELOW	RIGHT	R/A	4.0	510	14CA	
550CA	BELOW	RIGHT	R/A	5.0	520	15CA	
600CA	BELOW	LEFT	R/A	0.0	500	00CA	
601CA	BELOW	LEFT	SMT-STG	0.0	501	00CA	
602CA	BELOW	LEFT	SMT-IL	0.0	502	00CA	
620CA	BELOW	LEFT	R/A	2.0	540	02CA	
640CA	BELOW	LEFT	R/A	4.0	510	04CA	
650CA	BELOW	LEFT	R/A	5.0	520	05CA	

NOTES:

- ① SOLDER TAIL KEY:  
R/A = RIGHT ANGLE PIN-THROUGH-HOLE  
SMT-STG = STAGGERED SURFACE MOUNT  
SMT-IL = SURFACE MOUNT IN-LINE (SINGLE ROW)
- ② ADD "H" TO PART NUMBER FOR  
OPTIONAL HOLD DOWN (4 PER ASSEMBLY)



mat'l. code		tolerances unless otherwise specified		CUSTOMER COPY		Electronics FCI www.fciconnect.com	
ltr	ecn no	dr	date	linear	.X±.3	projection	title
A	V80250	RHG	2/18/98		.XX±.13		68 POSITION EJECT HEADER ASSEMBLY
B	V81799	CGC	10/26/98		.XXX±.051		
C	V12164	TFG	8/17/01	angles	0° ±2'	product family	MCS
D	N05-0197	WB	07/05/05	dr	R.GRAPE 2/18/98	size	dwg no
				engr	D.BRANN 2/18/98	scale	74443
				chr	D.BRANN 2/18/98	1:1	sheet
				appd	D.BRANN 2/18/98		1 of 5
sheet	revision	D	D	D	D		
index	sheet	1	2	3	4	5	

ACAD

PDM: Rev:D

STATUS Released 26 Printed: Oct 12, 2014

Tous droits strictement reserves. Reproduction ou communication a des tiers interdite sous quelque forme que ce soit sans autorisation ecrite du proprietaire. Propriete de c FCI. Droits de reproduction FCI.

All rights strictly reserved. Reproduction or issue to third parties in any form whatever is not permitted without written authority from the proprietor. Property of FCI. Copyright FCI.

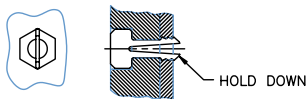
DESCRIPTION: ABOVE AND BELOW P.C.B., DECK AND PUSH-ROD LOCATION ARE AS VIEW BY USER.

PRODUCT NO. 74443-XXXX NOTE ②	PCB SIDE	PUSH ROD LOCATION	SOLDER TAIL ①	STAND-OFF HEIGHT DIM "L"	EJ. HEADER ASSY 92140-XXX ④	EJ. MECHANISM ASSY 94613-XXXX ⑤	MOUNTING STYLE TO PCB AND PUSH-ROD LOCATION
000CALF	ABOVE	RIGHT	R/A	0.0	000LF	00CA	
001CA	ABOVE	RIGHT	SMT-STG	0.0	001	00CA	
002CA	ABOVE	RIGHT	SMT-IL	0.0	002	00CA	
020CALF	ABOVE	RIGHT	R/A	2.0	040LF	02CA	
040CALF	ABOVE	RIGHT	R/A	4.0	010LF	04CA	
050CALF	ABOVE	RIGHT	R/A	5.0	020LF	05CA	
100CALF	ABOVE	LEFT	R/A	0.0	000LF	10CA	
101CA	ABOVE	LEFT	SMT-STG	0.0	001	10CA	
102CA	ABOVE	LEFT	SMT-IL	0.0	002	10CA	
120CALF	ABOVE	LEFT	R/A	2.0	040LF	12CA	
140CALF	ABOVE	LEFT	R/A	4.0	010LF	14CA	
150CALF	ABOVE	LEFT	R/A	5.0	020LF	15CA	
500CALF	BELOW	RIGHT	R/A	0.0	500LF	10CA	
501CA	BELOW	RIGHT	SMT-STG	0.0	501	10CA	
502CA	BELOW	RIGHT	SMT-IL	0.0	502	10CA	
520CALF	BELOW	RIGHT	R/A	2.0	540LF	12CA	
540CALF	BELOW	RIGHT	R/A	4.0	510LF	14CA	
550CALF	BELOW	RIGHT	R/A	5.0	520LF	15CA	
600CALF	BELOW	LEFT	R/A	0.0	500LF	00CA	
601CA	BELOW	LEFT	SMT-STG	0.0	501	00CA	
602CA	BELOW	LEFT	SMT-IL	0.0	502	00CA	
620CALF	BELOW	LEFT	R/A	2.0	540LF	02CA	
640CALF	BELOW	LEFT	R/A	4.0	510LF	04CA	
650CALF	BELOW	LEFT	R/A	5.0	520LF	05CA	

NOTES:

- ① SOLDER TAIL KEY:  
R/A = RIGHT ANGLE PIN-THROUGH-HOLE  
SMT-STG = STAGGERED SURFACE MOUNT  
SMT-IL = SURFACE MOUNT IN-LINE (SINGLE ROW)

- ② ADD "H" TO PART NUMBER FOR  
OPTIONAL HOLD DOWN (4 PER ASSEMBLY)



- 3 IF LEAD FREE P/N.THE HOUSING WILL WITHSTAND EXPOSURE TO 260°C PEAK TEMPERATURE FOR 10 SECONDS IN A WAVE SOLDER APPLICATION WITH A 1.00MM MINIMUM THICK CIRCUIT BOARD.
- 4 IF LEAD FREE P/N.THE PRODUCT MEETS EUROPEAN UNION DIRECTIVES AND OTHER COUNTRY REGULATIONS AS DESCRIBED IN GS-22-008
- 5 LEAD FREE P/N PACKAGING MEETS GS-14-920 SPECIFICATION

mat'l. code		tolerances unless otherwise specified		CUSTOMER COPY		Electronics FCI www.fciconnect.com	
ltr	ecn no	dr	date	linear	.X±.3	projection	title
d					.XX±.13		68 POSITION EJECT HEADER ASSEMBLY
				angles	.XXX±.051		product family
				dr	0° ±2'	size	code
				engr	R.GRAPE 2/18/98	MM	-
				chr	D.BRANN 2/18/98	scale	sheet
				appd	D.BRANN 2/18/98	1:1	2 of
sheet index	revision sheet						

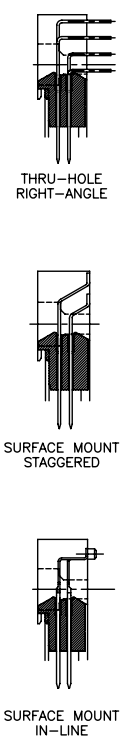
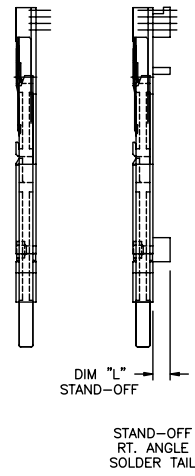
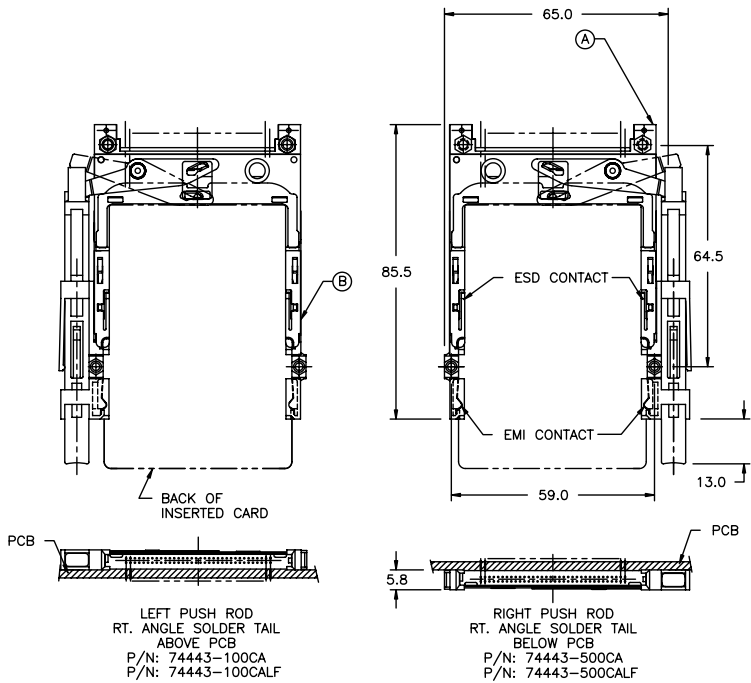
Tous droits strictement reserves. Reproduction ou communication a des tiers interdite sous quelque forme que ce soit sans autorisation ecrite du proprietaire. Propriete de c FCI. Droits de reproduction FCI.

All rights strictly reserved. Reproduction or issue to third parties in any form whatever is not permitted without written authority from the proprietor. Property of FCI. Copyright FCI.

Tous droits strictement réservés. Reproduction ou communication à des tiers  
interdite sous quelque forme que ce soit sans autorisation écrite du propriétaire.  
Propriété de c FCI. Droits de reproduction FCI.

All rights strictly reserved. Reproduction or issue to third parties in any  
form whatever is not permitted without written authority from the proprietor.  
Property of FCI. Copyright FCI.

PCMCIA COMPONENTS:  
SINGLE DECK ASSEMBLY: EXTENDED TRAVEL  
(8mm CARD EJECT) MECHANISM.



- NOTES:
- REFER TO HEADER DRAWING 92140 AND EJECT MECHANISM 94613 FOR ADDITIONAL DIMENSIONS, MATERIAL, AND PLATING INFORMATION.
  - REFER TO TA-946 FOR PCB LAYOUT AND PCB KEEP-OUT AREA.
  - RECOMMENDED SCREW TORQUE: 1.0 TO 1.5 MAX in-lbs. (1.2-1.7 cm-kgs).  
RECOMMENDED HOLD-DOWN: 2mm SCREWS AND NUTS.  
SEE DRAWINGS 95121 AND 92869.

mat'l. code		tolerances unless otherwise specified		CUSTOMER COPY		 www.fciconnect.com		
ltr	ecn no	dr	date	linear	.X±.3	projection	title	
d					.XX±.13	 MM	68 POSITION EJECT HEADER ASSEMBLY	
				angles	.XXX±.051			product family
				dr	R.GRAPE 2/18/98	scale	size	code
				engr	D.BRANN 2/18/98	1:1	dwg no	sheet
				chr	D.BRANN 2/18/98		A4	3 of
				appd	D.BRANN 2/18/98		74443	
sheet index	revision sheet						cage code	

1 | 2 | 3 | 4

FCI

D

1 | 2 | 3 | 4

DESCRIPTION: ABOVE AND BELOW P.C.B., DECK AND PUSH-ROD LOCATION ARE AS VIEWED BY USER.

PRODUCT NO. 74443-XXXX	PCB SIDE	PUSH ROD LOCATION	SOLDER TAIL ①	SOLDER TAIL DIM "L"	EJ. HEADER ASSY 92140-XXX A	EJ. MECHANISM ASSY 94613-XXXX B	MOUNTING STYLE TO PCB AND PUSH-ROD LOCATION ②
005CA	ABOVE	RIGHT	R/A	8.6	005	00CA	
025CA	ABOVE	RIGHT	R/A	10.3	045	00CA	
005CALF	ABOVE	RIGHT	R/A	8.6	005LF	00CA	
025CALF	ABOVE	RIGHT	R/A	10.3	045LF	00CA	
105CA	ABOVE	LEFT	R/A	8.6	005	10CA	
125CA	ABOVE	LEFT	R/A	10.3	045	10CA	
105CALF	ABOVE	LEFT	R/A	8.6	005LF	10CA	
125CALF	ABOVE	LEFT	R/A	10.3	045LF	10CA	
505CA	BELOW	RIGHT	R/A	8.6	505	10CA	
525CA	BELOW	RIGHT	R/A	10.3	545	10CA	
505CALF	BELOW	RIGHT	R/A	8.6	505LF	10CA	
525CALF	BELOW	RIGHT	R/A	10.3	545LF	10CA	
605CA	BELOW	LEFT	R/A	8.6	505	00CA	
625CA	BELOW	LEFT	R/A	10.3	545	00CA	
605CALF	BELOW	LEFT	R/A	8.6	505	00CA	
625CALF	BELOW	LEFT	R/A	10.3	545	00CA	

NOTES:

- ① SOLDER TAIL KEY:  
R/A = RIGHT ANGLE PIN-THROUGH-HOLE
- ② UPPER DECK FOR DOUBLE  
DECK ASSEMBLY. (SEE DWG. 74919)

mat'l. code		tolerances unless otherwise specified		CUSTOMER COPY		 www.fciconnect.com	
ltr	ecn no	dr	date	linear	.X±.3	projection	title
d					.XX±.13	 MM	68 POSITION EJECT HEADER ASSEMBLY
				angles	.XXX±.051		product family
				dr	R.GRAPE 2/18/98	size	dwg no
				enrg	D.BRANN 2/18/98	scale	74443
				chr	D.BRANN 2/18/98	1:1	code
				appd	D.BRANN 2/18/98		sheet
sheet	revision						4 of
index	sheet						

Tous droits strictement reserves. Reproduction ou communication a des tiers  
 interdite sous quelque forme que ce soit sans autorisation ecrite du proprietaire.  
 Propriete de c FCI. Droits de reproduction FCI.

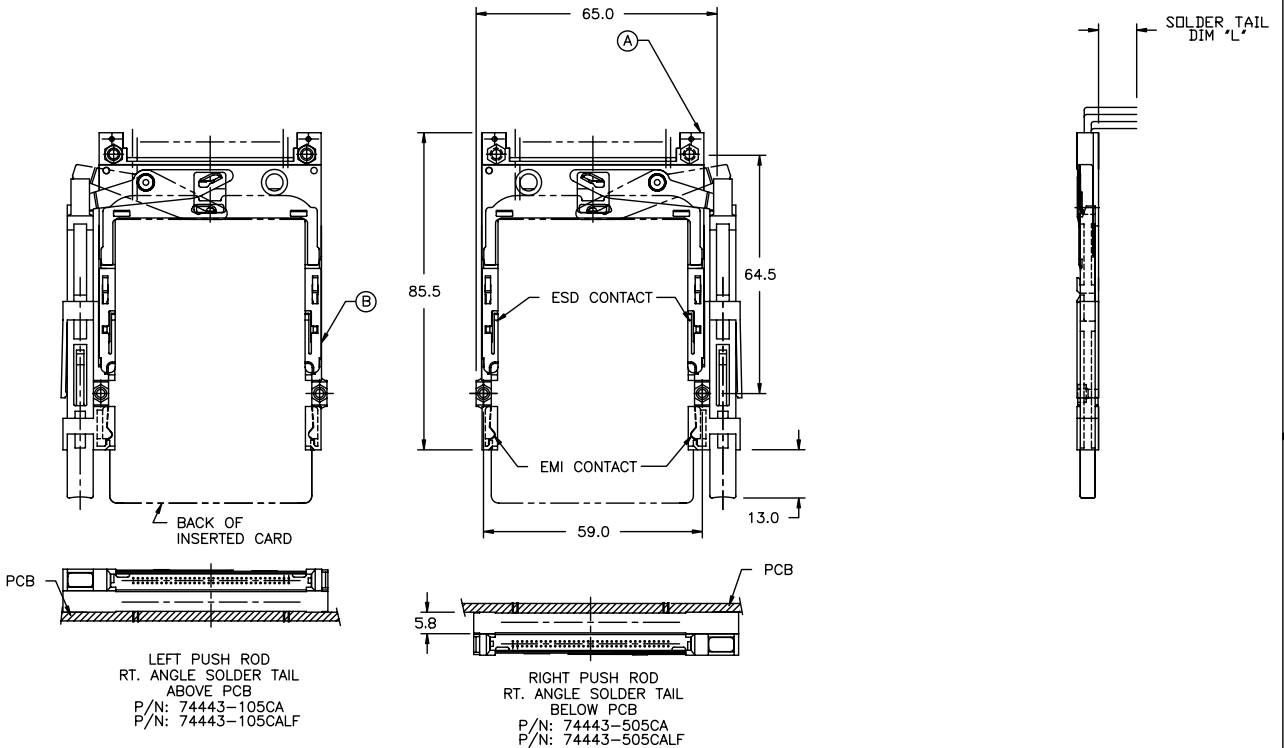
All rights strictly reserved. Reproduction or issue to third parties in any  
 form whatever is not permitted without written authority from the proprietor.  
 Property of FCI. Copyright FCI.

1 | 2

3

4

PCMCIA COMPONENTS:  
SINGLE DECK ASSEMBLY: EXTENDED TRAVEL  
(8mm CARD EJECT) MECHANISM.



NOTES:

- REFER TO HEADER DRAWING 92140 AND EJECT MECHANISM 94613 FOR ADDITIONAL DIMENSIONS, MATERIAL, AND PLATING INFORMATION.
- REFER TO TA-946 FOR PCB LAYOUT AND PCB KEEP-OUT AREA.
- RECOMMENDED SCREW TORQUE: 1.0 TO 1.5 MAX in-lbs. (1.2-1.7 cm-kgs).  
RECOMMENDED HOLD-DOWN: 2mm SCREWS AND NUTS.  
SEE DRAWINGS 95121 AND 92869.

mat'l. code		tolerances unless otherwise specified		CUSTOMER COPY	 www.fciconnect.com
ltr	ecn no	dr	date		
d				 MM	68 POSITION EJECT HEADER ASSEMBLY
				scale	product family
				1:1	MCS
					size
					dwg no
					74443
sheet	revision				code
index	sheet				5 of

Tous droits strictement réservés. Reproduction ou communication à des tiers interdite sous quelque forme que ce soit sans autorisation écrite du propriétaire. Propriété de c FCI. Droits de reproduction FCI.

All rights strictly reserved. Reproduction or issue to third parties in any form whatever is not permitted without written authority from the proprietor. Property of FCI. Copyright FCI.

1 | 2

3

4

ACAD

PDM: Rev:D

STATUS Released 26 Printed: Oct 12, 2010