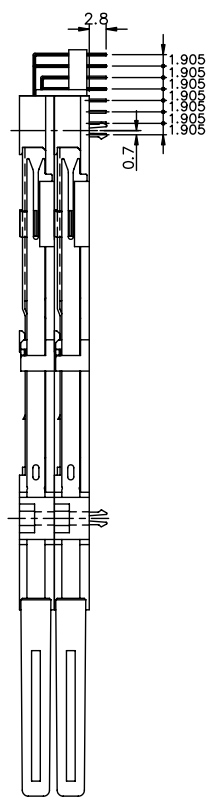
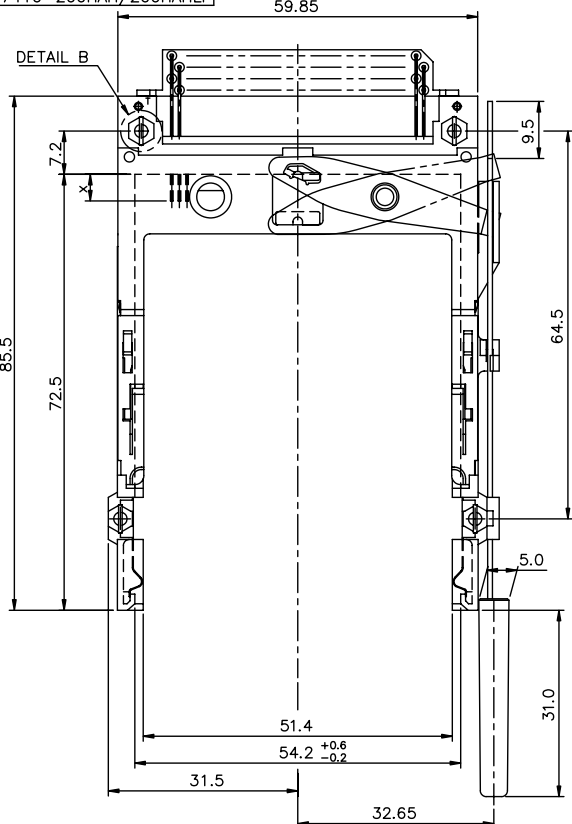


Tous droits attribution réservés. Reproduction ou communication à des tiers sans autorisation écrite du propriétaire. Copyright BERG ELECTRONICS S.A. Droits de reproduction BERG ELECTRONICS S.A.

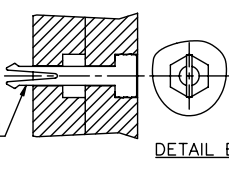
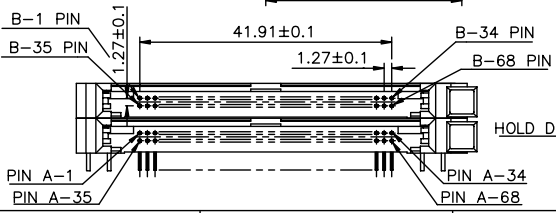
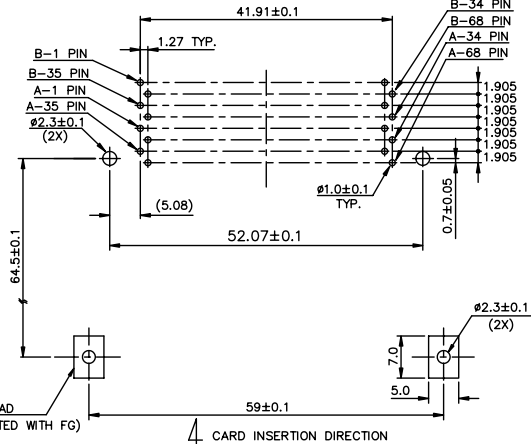
All rights strictly reserved. Reproduction or issue to third parties in any form without written authority from the proprietor. Copyright BERG ELECTRONICS S.A.

PRODUCT NO.
57410-200HAH/200HAHLF



- NOTES:
- EJECT FORCE : 3.5 Kg MAX.
 - EJECT TRAVEL: 8.0mm
 - MATERIAL
 - 3.1 HEADER ASS'Y :
 - PLASTIC : HOUSING ...LCP UL94V-0 NATURAL
 - LOCATOR ...G.F. 6/6 NYLON UL94-VO BLACK
 - 3.2 EJECT MECHANISM ASS'Y :
 - PLASTIC : GUIDE: POLYPHTHARAMID UL94V-0 BLACK
 - PUSH BUTTON: POLYPHTHARAMID UL94V-0 BLACK
 - PLATE : STAINLESS
 - EMI CONTACT: PHOSPHOR BRONZE
 - 4. FINISH (PIN)
 - UNDER PLATING : 0.5µm MIN. Ni
 - CONTACT AREA : 0.1µm MIN. GOLD OVER 0.5µm MIN. Pd-Ni
 - SOLDER TAIL : 2.5µm MIN. Sn-Pb
 - OTHERS : 2.5µm MIN. PURE Sn (FOR *****LF)

4.25±0.1	3.5±0.1	5.0±0.1
OTHERS	36,67	1,17,34,35,51,68



mat'l code		tolerance unless otherwise specified		CUSTOMER COPY		 www.fciconnect.com	
rev.	ecn no.	dr	date	linear	±0.30	projection	title
A	T10082	WL	03/18/01				DOUBLE DECK R/A EJECTOR TYPE 1/2/3
B	T10348	WL	12/05/01	angles	± 2°		
C	T20166	WL	05/30/02				
D	N05-0204	WB	07/12/08	dr	WENDY CHEN	03/14/01	product family PCMCIA code
				enqr	MINERVA WANG	03/14/01	size
				chr	JOSEPH HSIA	03/14/01	dwg no.
				appd	JOSEPH HSIA	03/14/01	57410
sheet	revision	D	D	unit	mm/inch	scale	1.5:1
index	sheet	1	2	size	A3	code	1 OF 2

