

Combination Line Filters

Indonesia
Japan

Series: **C**
Type: **21C, 25C**

Combination Line Filters for attenuation of both common and normal mode noise.

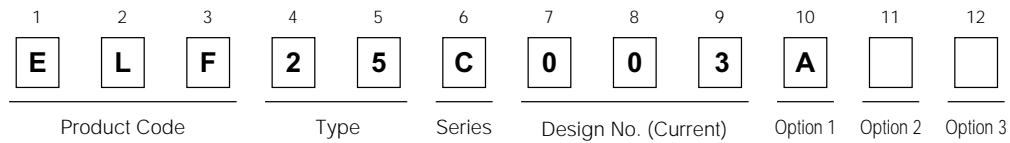
■ Features

- Excellent attenuation characteristics
- Compact size and high inductance
- Low profile, suitable for high density mounting

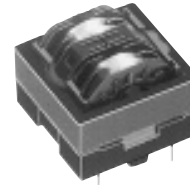
■ Recommended Applications

- Lighting, A/V, communications and power supply equipment

■ Explanation of Part Numbers



Type 21C



Type 25C□□□A



Type 25C□□□F

■ Performance Characteristics

| Item | Series | Series C | Note |
|---------------------------------|--------|----------------------------|-------------------|
| | Type | 21C, 25C | |
| Operating Temperature | | -20 °C to 115 °C * | |
| Voltage | | AC 250 Vrms max. | |
| Current | | Refer to examples | |
| Inductance | | Refer to examples | |
| Dielectric Withstanding Voltage | | AC 2 kV 1 min. | |
| Temperature Rise | | 45 K max. | Resistance method |
| Applicable Safety Standards ** | | Denki Yohin , UL, CSA, IEC | |

* UL, CSA : -20 °C to 100 °C

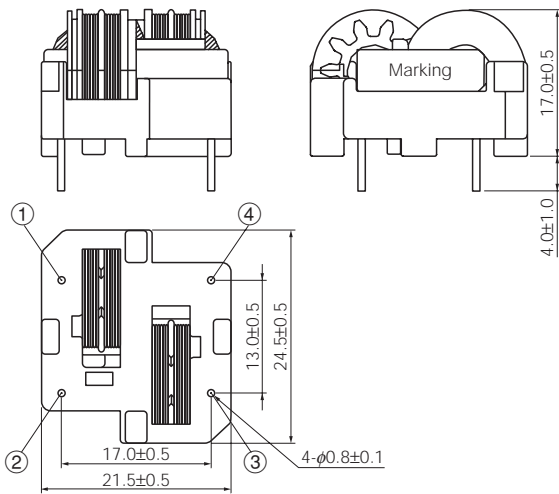
** Only the combination line filter does not have safety standards recognition

Design and specifications are each subject to change without notice. Ask factory for the current technical specifications before purchase and/or use. Should a safety concern arise regarding this product, please be sure to contact us immediately.

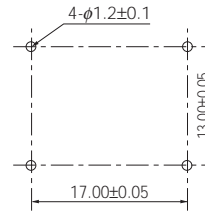
Jun. 2006

■ Type 21C

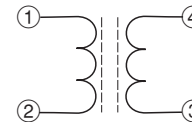
● Dimensions in mm (not to scale)



● Recommended PWB piercing plan (not to scale)



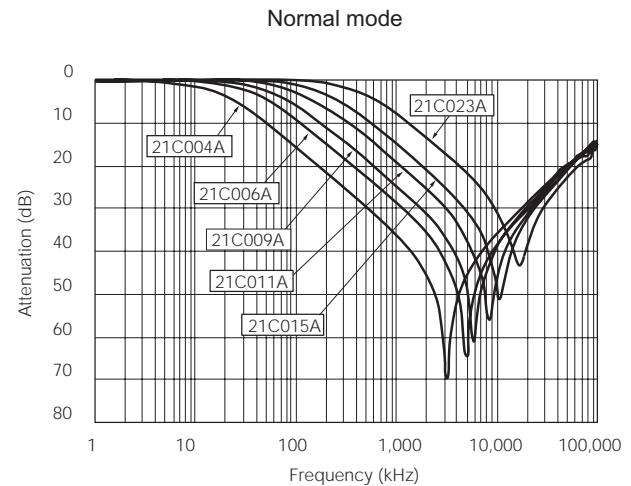
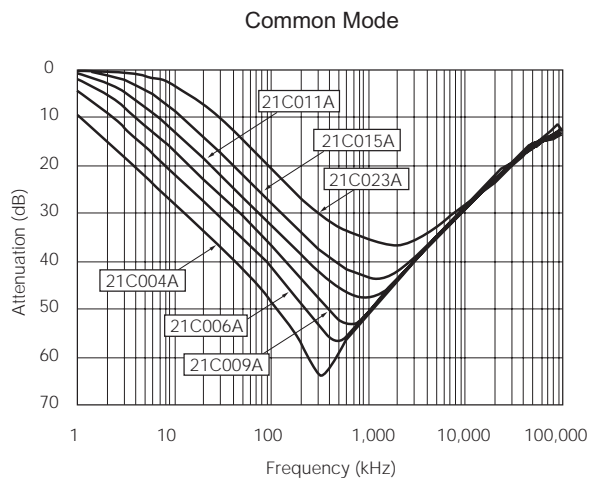
● Connection Schematics



● Standard Parts

| Part No. | Marking | Inductance (mH min.) | | R _{DC} (at 20 °C) | | Current (A rms) max. | |
|------------|---------|---------------------------|----------------------|----------------------------|----------|----------------------|-----|
| | | For Common Mode (mH) min. | For Normal Mode (mH) | (Ω) | Tol. (%) | | |
| ELF21C003A | 003A | 43.0 | 1.700 | ±10 | 3.07 | ±20 | 0.3 |
| ELF21C004A | 004A | 25.0 | 0.960 | | 1.75 | | 0.4 |
| ELF21C006A | 006A | 11.0 | 0.440 | | 0.79 | | 0.6 |
| ELF21C009A | 009A | 6.4 | 0.250 | | 0.45 | | 0.9 |
| ELF21C011A | 011A | 3.9 | 0.150 | | 0.30 | | 1.1 |
| ELF21C015A | 015A | 2.3 | 0.090 | | 0.17 | | 1.5 |
| ELF21C018A | 018A | 1.7 | 0.065 | | 0.12 | | 1.8 |
| ELF21C023A | 023A | 1.0 | 0.040 | | 0.08 | | 2.3 |

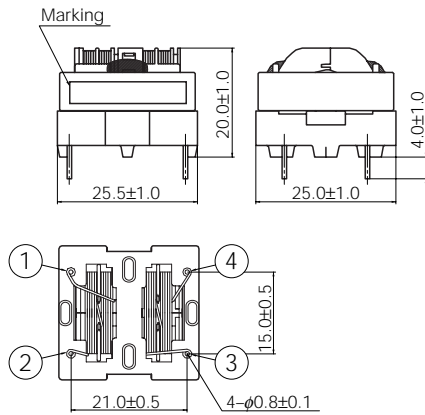
● Attenuation Characteristics



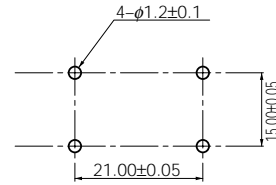
Design and specifications are each subject to change without notice. Ask factory for the current technical specifications before purchase and/or use. Should a safety concern arise regarding this product, please be sure to contact us immediately.

■ Type 25C

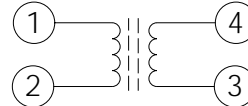
● Dimensions in mm (not to scale)



● Recommended PWB piercing plan (not to scale)



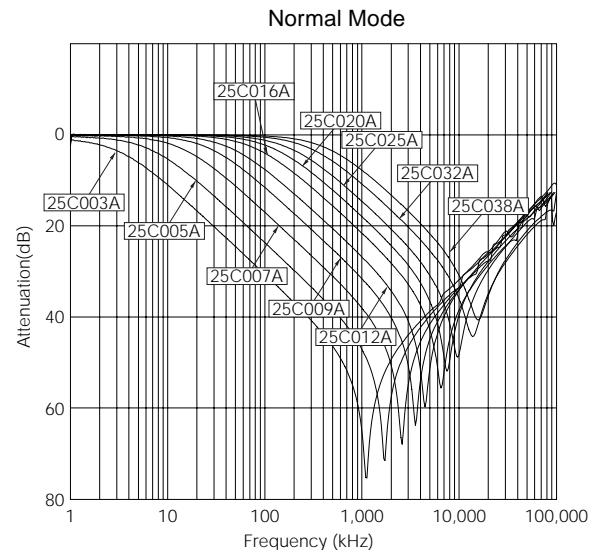
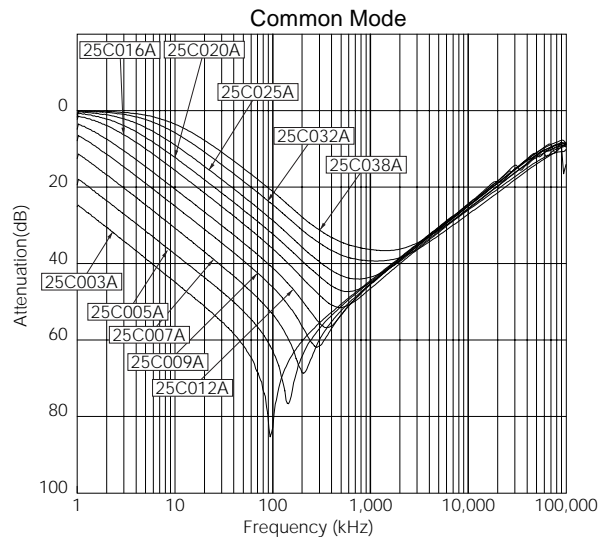
● Connection Schematics



● Standard Parts

| Part No. | Marking | Inductance | | R _{DC} (at 20 °C) | | Current (A rms) max. |
|------------|---------|---------------------------|---------------------------|----------------------------|----------|----------------------|
| | | For Common Mode (mH) min. | For Normal Mode (mH) min. | (Ω) | Tol. (%) | |
| ELF25C003A | 184 03 | 184.0 | 5.30 | 5.031 | ±20 | 0.3 |
| ELF25C005A | 723 05 | 72.0 | 2.10 | 1.891 | | 0.5 |
| ELF25C007A | 343 07 | 34.0 | 0.90 | 0.916 | | 0.7 |
| ELF25C009A | 203 09 | 20.0 | 0.52 | 0.510 | | 0.9 |
| ELF25C012A | 113 12 | 11.0 | 0.31 | 0.310 | | 1.2 |
| ELF25C016A | 672 16 | 6.7 | 0.18 | 0.180 | | 1.6 |
| ELF25C020A | 442 20 | 4.4 | 0.11 | 0.113 | | 2.0 |
| ELF25C025A | 302 25 | 3.0 | 0.08 | 0.080 | | 2.5 |
| ELF25C032A | 182 32 | 1.8 | 0.05 | 0.053 | | 3.2 |
| ELF25C038A | 122 38 | 1.2 | 0.03 | 0.037 | | 3.8 |

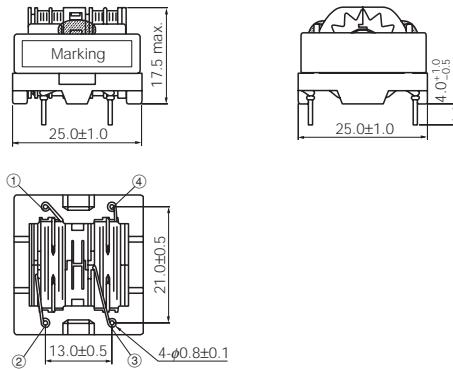
● Attenuation Characteristics



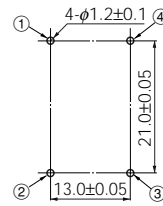
Design and specifications are each subject to change without notice. Ask factory for the current technical specifications before purchase and/or use. Should a safety concern arise regarding this product, please be sure to contact us immediately.

■ Type 25C□□□F

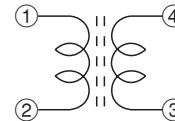
● Dimensions in mm (not to scale)



● Recommended PWB piercing plan (not to scale)



● Connection Schematics

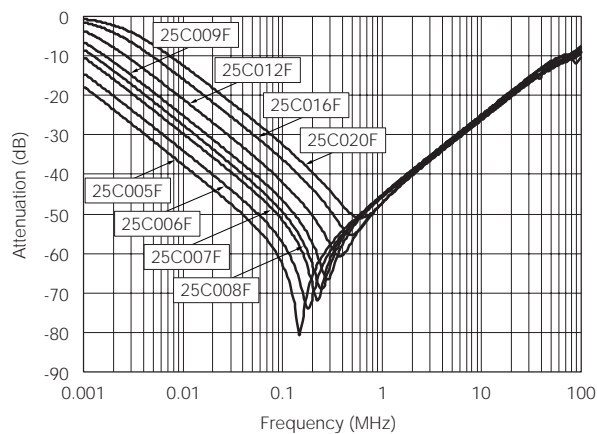


● Standard Parts

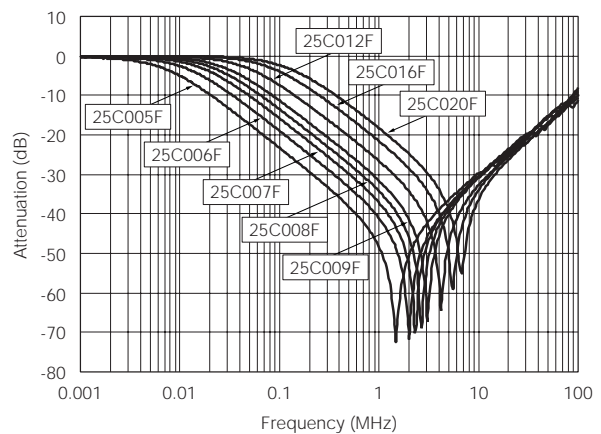
| Part No. | Marking | Inductance | | R _{DC} (at 20 °C) | | Current (A rms) max. |
|------------|---------|---------------------------|---------------------------|----------------------------|----------|----------------------|
| | | For Common Mode (mH) min. | For Normal Mode (mH) min. | (Ω) | Tol. (%) | |
| ELF25C005F | 853 05F | 85.0 | 2.10 | 1.891 | ±20 | 0.5 |
| ELF25C006F | 523 06F | 52.0 | 1.28 | 1.270 | | 0.6 |
| ELF25C007F | 343 07F | 34.0 | 0.90 | 0.916 | | 0.7 |
| ELF25C008F | 263 08F | 26.0 | 0.68 | 0.673 | | 0.8 |
| ELF25C009F | 203 09F | 20.0 | 0.52 | 0.510 | | 0.9 |
| ELF25C012F | 113 12F | 11.0 | 0.31 | 0.310 | | 1.2 |
| ELF25C016F | 672 16F | 6.7 | 0.18 | 0.180 | | 1.6 |
| ELF25C020F | 442 20F | 4.4 | 0.11 | 0.113 | | 2.0 |

● Attenuation Characteristics

Common Mode



Normal Mode



Design and specifications are each subject to change without notice. Ask factory for the current technical specifications before purchase and/or use. Should a safety concern arise regarding this product, please be sure to contact us immediately.