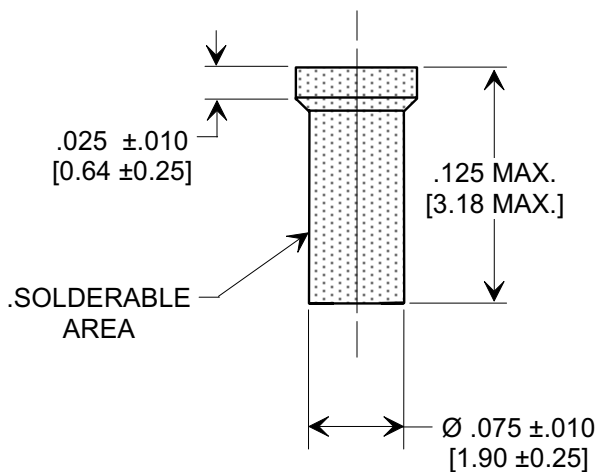
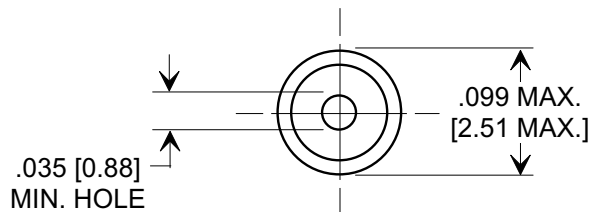
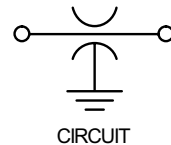
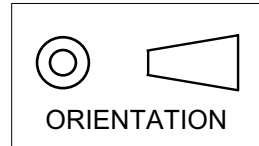


# MARKETING SALES DRAWING

**DIMENSIONS IN INCHES - DO NOT SCALE THIS DRAWING**  
**DIMENSIONS IN METRIC - [ ]**

This drawing is the property of Tusonix, Inc., and may not be used, reproduced, published or disclosed to others without expressed authorization by Tusonix Inc.

**Electrical Testing**  
**per Tusonix standard**  
**test plans and Mil-Std-202**  
**Test Methods.**



## SPECIFICATIONS

CAP. VALUE	470 pF
CAP. TOL.	±20%
TEMP. CHAR.	X5S
OPERATING TEMP.	-55° TO +85°C
OPERATING VOLT.	200 WVDC
DWV (VDC)	400
I.R. MIN. @ 100 (VDC)	10 G Ω

## NOTES:

1. TUSONIX STANDARD PART NUMBER: 2463-001-X5S0-471M.  
 TUSONIX RoHS COMPLIANT PART  
 NUMBER: 2463-001-X5S0-471M LF.  
 CUSTOMER MUST SPECIFY STANDARD OR RoHS PART  
 NUMBER WHEN ORDERING.
2. PART MARKING: STANDARD PART, NO MARKING.  
 RoHS PART: GREEN LABELING ON PACKAGING.

X-2015 Rev-0

<b>REVISION RECORD</b> Original Release C.O. 19981002-3-02 ADDED NOTES, IR & DWV. S.M. 07-27-06 20060619-1-08	0	1	--TOLERANCES-- Unless Otherwise Specified	Title <b>SHOULDER FEED-THRU</b>			
			DECIMAL ± .031 [0.79]	Drawn	S.M. 10-06-98	Scale	NONE
			ANGLES ±	Approved	H.R. 10-06-98		
			<b>TUSONIX</b> TUCSON, ARIZONA	<b>A</b>	<b>2463-001-X5S0-471M</b>		