

CASE FINISH	CURRENT (AMPS)	WORKING VOLTAGE				MAXIMUM DC RESISTANCE (OHMS)	MAXIMUM VOLTAGE DROP		MINIMUM CAPACITANCE (uF)	MIN. INSERTION LOSS PER MIL-STD-220, FULL LOAD, +25°C												
		-55°C TO +85°C		-55°C TO +125°C			DC	AC		14 KHz	30 KHz	50 KHz	75 KHz	100 KHz	150 KHz	300 KHz	500 KHz	1 MHz	10 MHz	100 MHz	1 GHz	10 GHz
		AC	DC	AC	DC					---	15	---	---	---	28	33	---	40	40	70	70	---
SOLDER	15	---	---	---	50	0.008	0.12	---	1.4uF	---	15	---	---	---	28	33	---	40	40	70	70	---

**PART MARKING:**

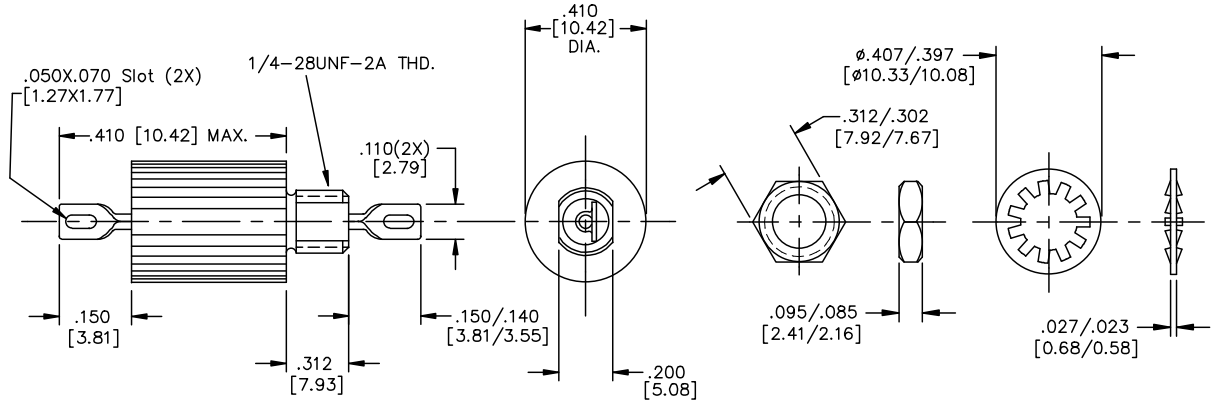
J M28861/01-011TB  
L OLSP2 DATE CODE

**PACKAGE MARKING:**

J M28861/01-011TB  
OLSP2 DATE CODE  
50VDC 15AMP 51-359-086  
QTY.

**MARKING NOTES:**

N/A



**SCHEMATIC**

**MTG. HARDWARE**

**NOTES:**

1) MOUNTING TORQUE NOT TO EXCEED 7in-lbs.

REV. NO.	REV. DATE	REV. DESCRIPTION	REV. BY	REV. CHECKED	REV. APPROVED
29					
28					
27					
26					
25					
24					
23					
22					
21					
20					
19					
18					
17					
16					
15					
14					
13					
12					
11					
10					
9					
8					
7					
6					
5					
4					
3					
2					
1					

UNLESS OTHERWISE SPECIFIED DIMENSIONS ARE IN INCHES. [MILLIMETERS] DO NOT SCALE.

TOLERANCES UNLESS OTHERWISE SPECIFIED  
Fractions ±  
Dec. .xx±  
Dec. .xxx±.010  
Angles ±0° 30'  
CODE IDENT. NO.  
OLSP2

SPECTRUM CONTROL INC.  
Dwn. KAUFFMAN  
Ckd. 11/15/01  
Sheet 1 of 1

ERIE, FAIRVIEW PENNSYLVANIA  
Description Low Pass EMI Filter  
51-359-086

Quality Products From The Specialists In Electro-Magnetic Compatibility