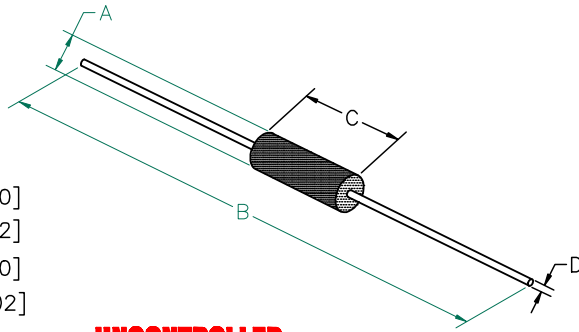




28L0138-40R-10

PHYSICAL DIMENSIONS:

A	3.51 [.138]	+ 0.25 [.010]
B	59.00 [2.32]	+ 1.57 [.062]
C	8.89 [.350]	+ 0.51 [.020]
D	0.64 [.025]	+ 0.05 [.002]



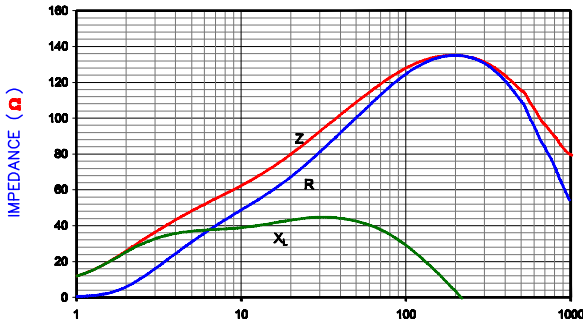
UNCONTROLLED DOCUMENT

ELECTRICAL CHARACTERISTICS:

	Z (Ω) @		DCR (Ω)	Rated Current
	25 MHz	100MHz		
Nominal	99	135		
Minimum	-	101		
Maximum	-	169	0.01	5,000 mA



|Z|, R, AND X vs. FREQUENCY



NOTES: UNLESS OTHERWISE SPECIFIED

1. TAPED AND REELED per CURRENT EIA SPECIFICATIONS 14" REELS, 4500 PCS/REEL.
2. COMPONENTS SHOULD BE ADEQUATELY PREHEATED BEFORE SOLDERING.
3. WIRE: C10200 OXYGEN FREE COPPER (99.95 MIN.) 22AWG (.025 DIA.)
4. PLATING: 100% TIN $5\mu \pm 2\mu$ [$200\mu\text{in} \pm 80\mu\text{in}$]
5. WEIGHT/1000: .411 kgs. .905 lbs.
6. REFERENCE STEWARD CORE P/N 28B0138-*00.

AGILENT E4991A RF Impedance/Material Analyzer
HP 16194A Test Fixture

DIMENSIONS ARE IN mm (INCHES).			This print is the property of Laird Tech. and is loaned in confidence subject to return upon request and with the understanding that no copies shall be made without the written consent of Laird Tech. All rights to design or invention are reserved.	
J	UPDATE COMPANY LOGO	01/06/09	JRK	
H	ADD ROHS SYMB. UPDATE COMPANY LOGO	04/20/07	JRK	
G	CHANGE P/N (ADD -10) CHG NOTE 3 ADD NO LEAD SYMBOL. CORRECT WEIGHT	10/14/03	JRK	
F	UPDATE FORMAT, CHG RATED CURRENT FROM 10,000 ADDED NOTES	10/11/01	JRK	
E	ADDED (*NOTE&DIM)ON SHT3OF4 CORRECTED DIM D ON SHEET 2OF4	10/13/98	DTR	PROJECT/PART NUMBER: 28L0138-40R-10
D	CHANGE DIM. "G" ON THE TAPE & MODIFIED THE DIMENSIONS ON THE REEL	07/15/98	DTR	DATE: 06/30/98 SCALE: NTS SHEET:
REV	DESCRIPTION	DATE	INT	CAD # 28L0138-40R-10-J-2 TOOL # B0138 2 of 3