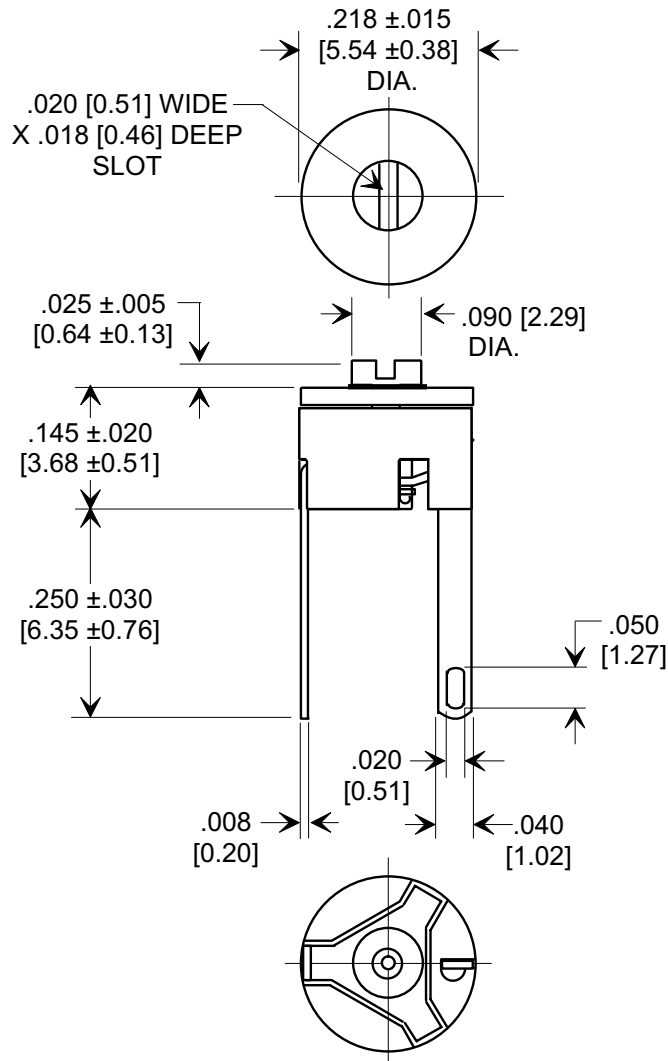
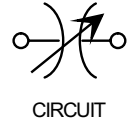
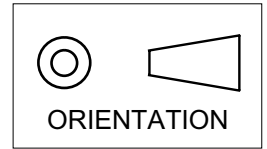


Electrical Testing
per Tusonix standard
test plans and Mil-Std-202
Test Methods.

MARKETING SALES DRAWING
DIMENSIONS IN INCHES - DO NOT SCALE THIS DRAWING
DIMENSIONS IN METRIC - []



SPECIFICATIONS

TUSONIX PART NO.	528-000 C 3.5 - 10
Style No:	528-000
Value:	3.5 - 10 pF
Value Tol.:	MIN. +10%, MAX. -10%, +100%
Dielectric Type Code:	C
Rating:	100 VDC @ 125°C
Operating Range:	-55°C TO + 125°C
To Tusonix Spec Unless Stated Otherwise	

NOTE:
ALL METAL PARTS SILVER PLATED.

FOR DIMENSIONS $\leq .125$ "/3.18mm,
TOLERANCE IS $\pm .015$ "/0.38mm.
FOR DIMENSIONS $\geq .126$ "/3.20mm,
TOLERANCE IS $\pm .030$ "/0.76mm.

X-2015 Rev-0

REVISION RECORD

Original Release
C.O. 20021203-1-01

0

TOLERANCES
unless otherwise specified

2 PLC.
DECIMAL ± $\frac{\quad}{\quad}$

3 PLC.
DECIMAL ± $\frac{\quad}{\quad}$

ANGLES ± $\frac{\quad}{\quad}$

TUSONIX
TUCSON, ARIZONA

Title MINIATURE CERAMIC TRIMMER	
Drawn	S.M. 12-03-02
Approved	T.C. 12-03-02
A	528-000 C 3.5-10