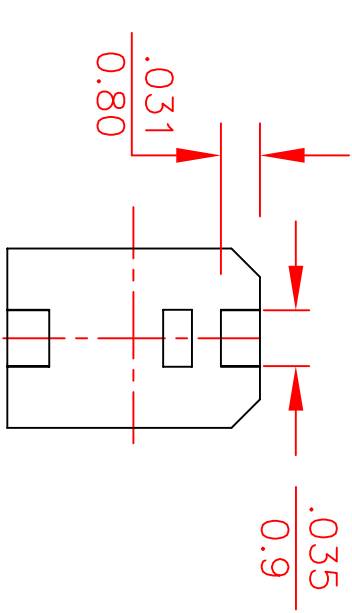
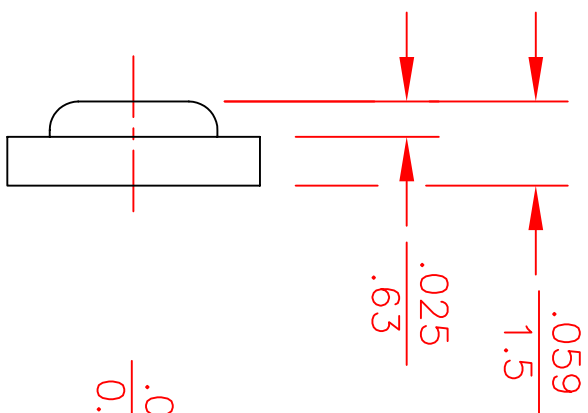
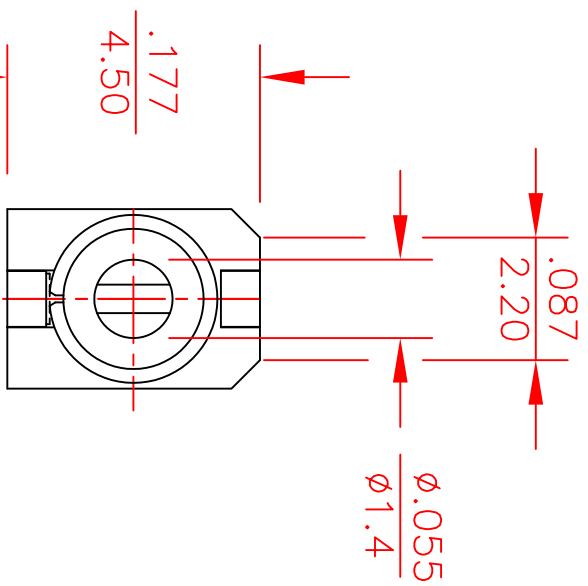
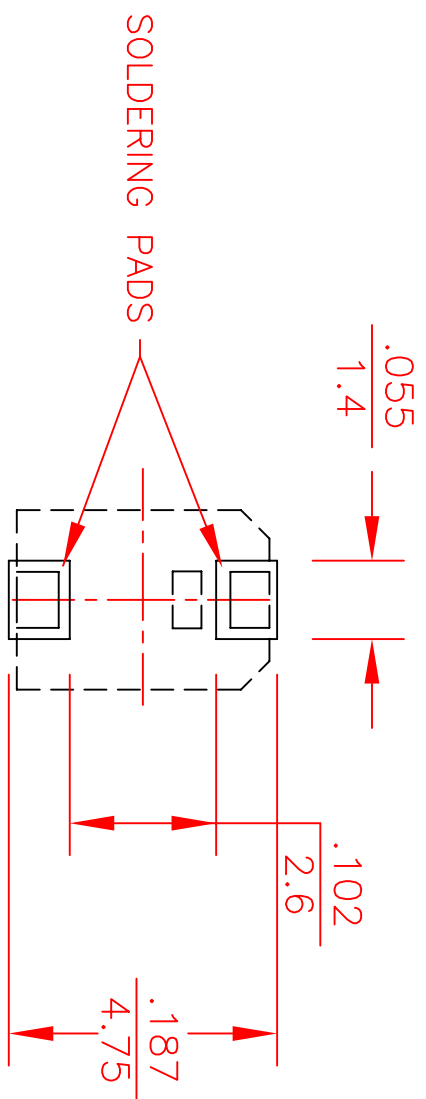


REV.	DESCRIPTION	DATE	APP.
00	NEW DWG.	9/29/06	S.G.



NOTES:
1. ALL DIMENSIONS IN inches / mm



SUGGESTED SURFACE MOUNT LAYOUT
RECOMMENDED THICKNESS OF SOLDER .0006 / 0.15

PART NUMBER	COLOR CODE	SGC35030	SGC35060	SGC35100	SGC35200	SGC35300
SPECS		BLACK	BLUE	IVORY	PINK	GREEN
Capacitance (pF min.) less than		1.2	2.2	3.0	5.5	8.0
Capacitance (pF max.) more than		3.0	6.0	10.0	20.0	30.0
Temperature coefficient (ppm/°C)		N470±60	N470±60	N1000±250	N1000±250	N1200±200
Q (at 1MHz and Cmax) over		300	500	500	500	500
Insulation resistance		10 ⁴ megohms				
Torque		0.14 to 1.0 oz-in / 10 to 72 gf-cm				
DC Working voltage		100 VDC	100 VDC	50 VDC	50 VDC	50 VDC
DC Withstanding voltage		220 VDC	220 VDC	110 VDC	110 VDC	110 VDC
Operating temperature °C		-40 to +85				
Self resonant frequency @ Cmax		2.0 GHz	1.5 GHz	1.3 GHz	0.8GHz	0.6 GHz

TOLERANCES: (EXCEPT AS NOTED)	SPRAGUE	GOODMAN	ELECTRONICS INC.
DECIMAL: xxx ±.016 in	1700 SHAMES DRIVE WESTBURY, NY 11590		
FRACTIONAL: ±.41 mm	MATERIAL:	SCALE: 8:1	DRAWN BY: D.DITLYA
ANGULAR: 1/64	TITLE: OUTLINE DWG SGC3 PRODUCT LINE	DATE: 9/29/06	DRAWING NUMBER: SGC3
			APPROVED: S.GRINBERG
			Rev. 00