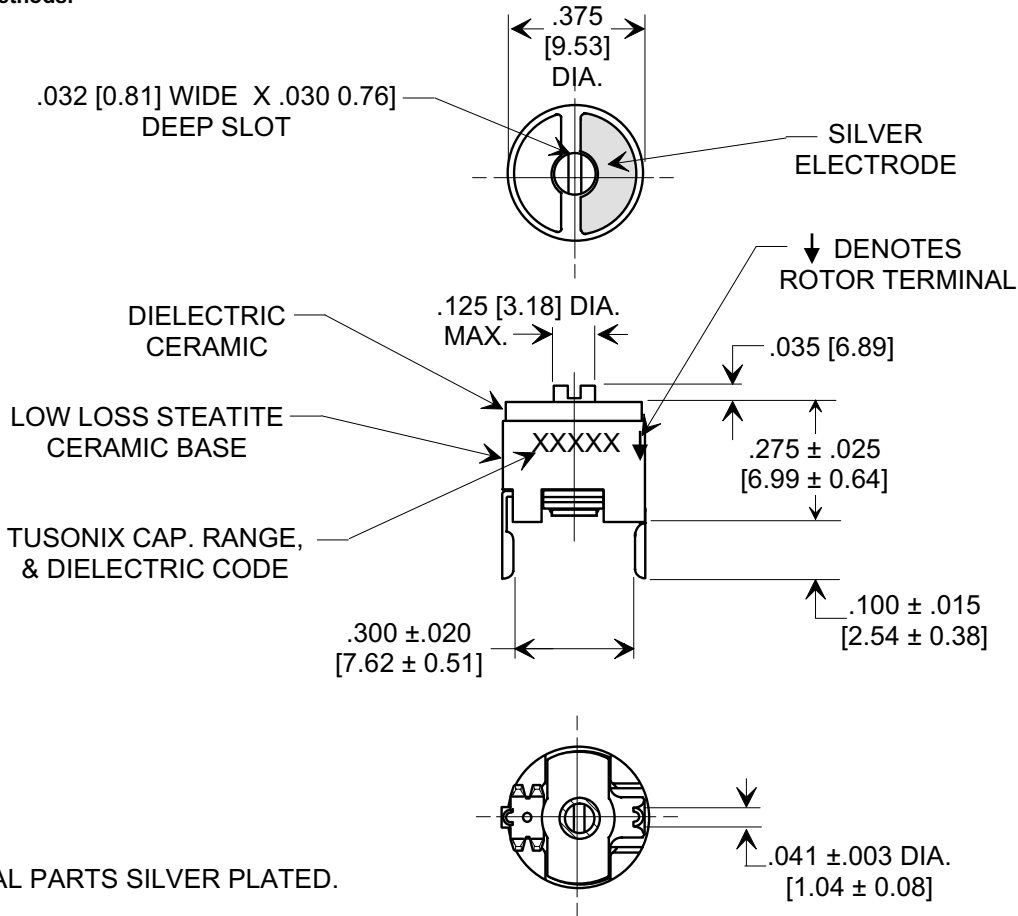
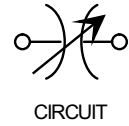
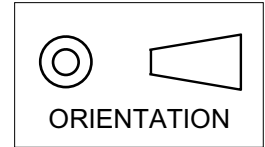


# MARKETING SALES DRAWING

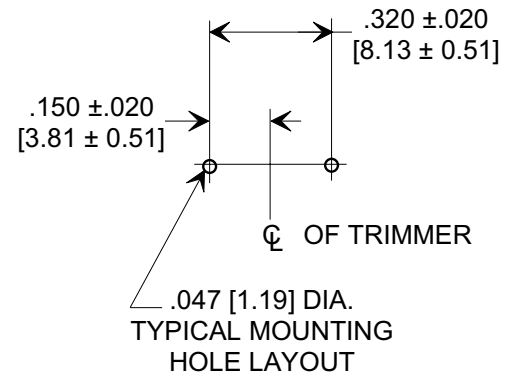
DIMENSIONS IN INCHES - DO NOT SCALE THIS DRAWING  
 DIMENSIONS IN METRIC - [ ]

Electrical Testing  
 per Tusonix standard  
 test plans and Mil-Std-202  
 Test Methods.



NOTE:  
 ALL METAL PARTS SILVER PLATED.

FOR DIMENSIONS ≤ .125"/3.18mm,  
 TOLERANCE IS ±.015"/0.38mm.  
 FOR DIMENSIONS ≥ .126"/3.20mm,  
 TOLERANCE IS ±.030"/0.76mm.



## ORDERING INFORMATION

Part No.	538-011 B 7.0 - 25
Capacitance	7.0 - 25 pF
Capacitance Tol.	MIN. + 10%, MAX. -10%, +100%
Dielectric Type Code	B
Voltage Rating	350 VDC TO + 85°C, 200VDC TO +125°C
Operating Temperature Range:	-55°C TO + 125°C
To Tusonix Spec Unless Stated Otherwise	

X-2015 Rev-0

REVISION RECORD Original Release C.O. 200001105-7-01 METRIC DIMS & ORIENTATION SYMBOL CIRCUIT & NOTES ADDED L.E. 06-03-03 20030530-1-01	TOLERANCES unless otherwise specified		Title <b>CERAMIC TRIMMER</b>
	2 PLC. DECIMAL ±		
	3 PLC. DECIMAL ±		Drawn L.E. 01-07-00
	ANGLES ± 10°		Approved H.R. 01-07-00
<b>TUSONIX</b> TUCSON, ARIZONA		<b>A</b>	<b>538-011 B 7.0 - 25</b>