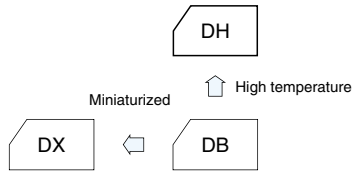


**High-Temperature Capacitors Series DH**

- High temperature tolerant(-25~+85°C) and highly reliable.
- Ideal for backing up of controls, electronic rice cooking jars, home bakeries and the like.



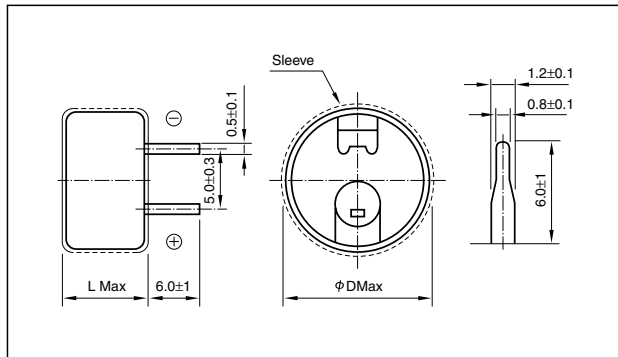
Marking color : White print on an indigo sleeve

**Specifications**

Item	Performance														
Category temperature range (°C)	-25 to +85														
Tolerance at rated capacitance (%)	-20 to +80														
Internal resistance at 1 kHz	<table border="1"> <tr> <td>Rated Capacitance (F)</td> <td>0.047</td> <td>0.1</td> <td>0.22</td> <td>0.47</td> <td>0.68</td> <td>1.0</td> </tr> <tr> <td>Internal resistance (Ω)</td> <td>300</td> <td>200</td> <td>120</td> <td>50</td> <td>50</td> <td>30</td> </tr> </table>	Rated Capacitance (F)	0.047	0.1	0.22	0.47	0.68	1.0	Internal resistance (Ω)	300	200	120	50	50	30
	Rated Capacitance (F)	0.047	0.1	0.22	0.47	0.68	1.0								
Internal resistance (Ω)	300	200	120	50	50	30									
Characteristics at high and low temperature	<table border="1"> <tr> <td>Percentage of capacitance change</td> <td>Within ±30% of the value at 20°C</td> </tr> <tr> <td>Internal resistance</td> <td>less than five times of the value at 20°C</td> </tr> </table>	Percentage of capacitance change	Within ±30% of the value at 20°C	Internal resistance	less than five times of the value at 20°C										
	Percentage of capacitance change	Within ±30% of the value at 20°C													
Internal resistance	less than five times of the value at 20°C														
Endurance (85°C)	<table border="1"> <tr> <td>Test time</td> <td>1000 hours</td> </tr> <tr> <td>Percentage of capacitance change</td> <td>Within ±30% of the initial measured value</td> </tr> <tr> <td>Internal resistance</td> <td>Within four times of the initial specified value</td> </tr> </table>	Test time	1000 hours	Percentage of capacitance change	Within ±30% of the initial measured value	Internal resistance	Within four times of the initial specified value								
	Test time	1000 hours													
	Percentage of capacitance change	Within ±30% of the initial measured value													
Internal resistance	Within four times of the initial specified value														
Shelf life (85°C)	Test time :1000 hours ; Same as endurance.														

**Outline Drawing**

Unit: mm



**Part numbering system (example: 5.5V0.1μF)**

Environmental item	DH	5R5	D	104	T
	Series code	Rated voltage symbol		Rated capacitance symbol	
Former item	DH	5R5	D	104	
	Series code	Rated voltage symbol		Rated capacitance symbol	

**Standard Ratings**

Max. operating voltage(V)	Rated capacitance(F)	ELNA Parts No.	φ DxL(mm)
5.5	0.047	DH-5R5D473T	13.5x9.5
5.5	0.1	DH-5R5D104T	13.5x9.5
5.5	0.22	DH-5R5D224T	13.5x9.5
5.5	0.47	DH-5R5D474T	21.5x9.5
5.5	0.68	DH-5R5D684T	21.5x9.5
5.5	1.0	DH-5R5D105T	21.5x9.5