

SERIES: SCREW TERMINAL EDLC

FEATURES

- Made in the USA
- High energy density
- High power density
- Low internal resistance (ESR)
- 10 year life
- High cycle life (+500K cycles)
- RoHS compliant

APPLICATIONS

- Back-Up Power
- Pulse Power
- Automotive Subsystems
- Portable Power Tools
- Renewable Energy Systems

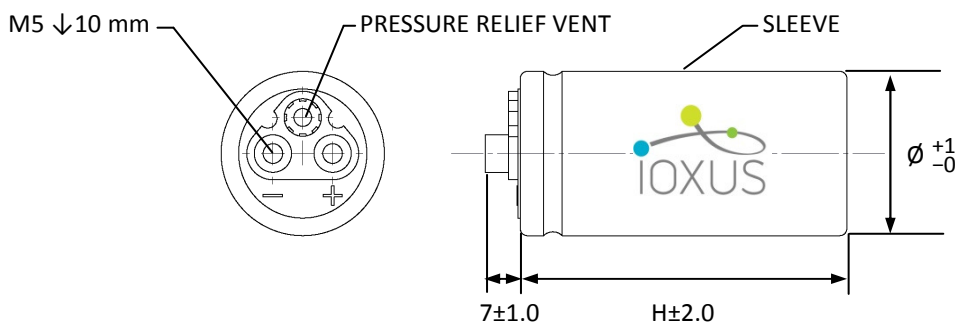


SPECIFICATIONS:

| | | |
|--|---|--|
| Operating Temperature Range | -40 °C to +65 °C | |
| Storage Temperature Range | -40 °C to +70 °C | |
| Rated Voltage, V_R | 2.7 V DC | |
| Capacitance Tolerance | -10% to +10% | |
| Cycle Life (25°, V_R) | After 500,000 cycles between rated voltage and half rated voltage under constant current at 25 °C | |
| | ΔC < 30% decrease, ESR < 200% increase | |
| Life Time* | After 10 years at rated voltage and 25 °C | |
| | ΔC < 30% decrease, ESR < 200% increase | |
| Endurance | After 1000 hours application of rated voltage at 65°C | |
| | Capacitance Change | Within 20% of initial specified value |
| | Internal Resistance (ESR) | Within 100% of initial specified value |
| Shelf Life | After 1000 hours storage at 70°C without load (0 V DC) | |
| | Capacitance Change | Within 20% of initial value |
| | Internal Resistance (ESR) | Within 100% of initial value |

*Life time is a provisional value

DIMENSIONS:



| Part Number | Unit | RSC2R7407LR |
|--------------|------|-------------|
| Diameter (Ø) | mm | 35 |
| Height (H) | mm | 70 |
| Volume | ml | 67 |
| Weight | g | 81 |

PRODUCT DETAILS:

| Part Number | Unit | RSC2R7407LR |
|-----------------------|--------|-------------|
| Capacitance | F | 400 |
| Capacitance Tolerance | % | ±10 |
| Rated Voltage | V | 2.7 |
| Surge Voltage | V | 2.85 |
| Impedance (AC 1kHz) | mΩ | ≤2.0 |
| ESR (DC) | mΩ | ≤2.5 |
| Max Stored Energy | Wh | 0.405 |
| Specific Energy | Wh/kg | 5.00 |
| | Wh/L | 6.02 |
| Maximum Power | kW/kg | 11.25 |
| Operating Temp | °C | -40 to +65 |
| Stored Temp | °C | -40 to +70 |
| Max Leakage Current | mA | 1.2 (72h) |
| Life time | years | 10 |
| Cycle life | cycles | 500,000 |

**All specifications subject to change without notification; please contact ioxus for the latest information