

SERIES: SNAP-IN ULTRACAPACITOR

FEATURES

- Made in the USA
- High energy density
- High power density
- Low internal resistance (ESR)
- 10 year life
- High cycle life (+500K cycles)
- RoHS compliant

APPLICATIONS

- Back-Up Power
- Pulse Power
- Automotive Subsystems
- Portable Power Tools
- Renewable Energy Systems

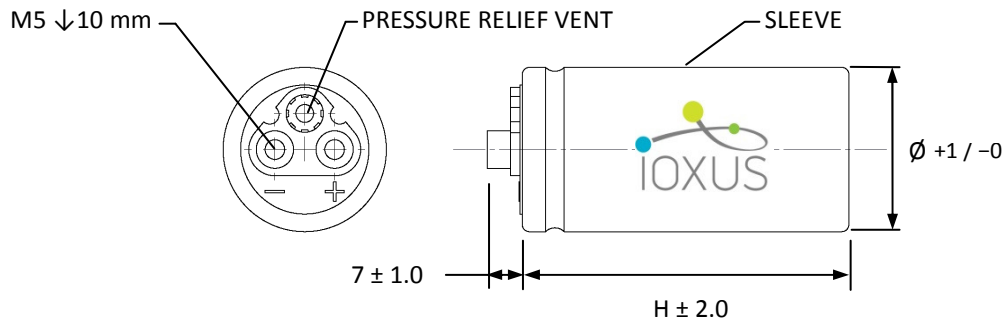


SPECIFICATIONS:

Operating Temperature Range	-40 °C to +70 °C	
Storage Temperature Range	-40 °C to +70 °C	
Rated Voltage, V_R	2.7 V DC	
Capacitance Tolerance	-10% to +10%	
Cycle Life (25°, V_R)	After 500,000 cycles between rated voltage and half rated voltage under constant current at 25 °C	
	ΔC < 30% decrease, ESR < 200% increase	
Life Time*	After 10 years at rated voltage and 25 °C	
	ΔC < 30% decrease, ESR < 200% increase	
Endurance	After 1000 hours application of rated voltage at 65°C	
	Capacitance Change	Within 20% of initial specified value
	Internal Resistance (ESR)	Within 100% of initial specified value
Shelf Life	After 1000 hours storage at 70°C without load (0 V DC)	
	Capacitance Change	Within 20% of initial value
	Internal Resistance (ESR)	Within 100% of initial value

*Life time is a provisional value

DIMENSIONS:



Part Number	Unit	RSC2R7357ST
Diameter (Ø)	mm	35
Height (H)	mm	62
Volume	ml	60
Weight	g	75

PRODUCT DETAILS:

Part Number	Unit	RSC2R7357ST
Capacitance	F	350
Capacitance Tolerance	%	-10% / +20%
Rated Voltage	V	2.7
Surge Voltage	V	2.85
Impedance (AC 1kHz)	mΩ	2.2
ESR (DC)	mΩ	2.5
Max Stored Energy	Wh	0.354
Specific Energy	Wh/kg	4.73
	Wh/L	5.94
Maximum Power	kW/kg	11.05
Operating Temp	°C	-40 to +65
Stored Temp	°C	-40 to +70
Max Leakage Current	mA	1.0 (72h)
Life time	years	10
Cycle life	cycles	500,000

**All specifications subject to change without notification; please contact ioxus for the latest information