

3M™ Pak 8 Plug Connector

0.8 mm, Vertical, Surfacemount, 3 mm to 8 mm Stack Height

P08 Series



- 0.8 mm pitch connector system
- Mated heights available from 3 mm to 8 mm
- Surface mount design
- Locking mechanism with audible click when fully-mated
- Tape and reel with suction covers available for automated assembly placement
- RoHS Compliant. See the Regulatory Information Appendix (RIA) in the “RoHS compliance” section of www.3M.com/Interconnects for compliance information (RIA E1 & C1 apply)

Date Modified: September 9, 2009

TS-1096-E
Sheet 1 of 2

Physical

Insulation

Material: Liquid Crystal Polymer (LCP)

Flammability: UL 94V-0

Color: Natural

Contact:

Material: Copper Alloy

Plating:

Underplating: 50 μ” [1.25 μm] Nickel

Wiping Area: 8 μ” [0.20 μm] Gold

Solder Tails: Gold Flash

Mating Compatibility: P08 Series Sockets. TS-1150

Electrical

Current Rating: 0.5 A

Voltage Rating: 60 V_{AC/DC}

Insulation Resistance: 10³ MΩ min. at 500 V_{DC}

Withstanding Voltage: 250 V_{AC} for 1 minute

Environmental

Temperature Rating: -55°C to +85°C

Process Rating: 260°C (profile per J-STD-020)

Moisture Sensitivity Level: MSL 1 (per J-STD-020)



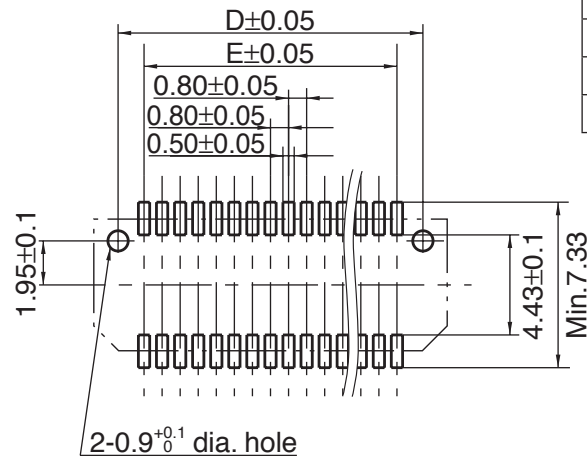
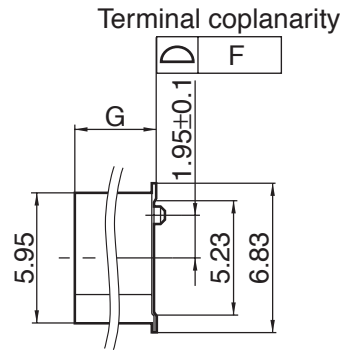
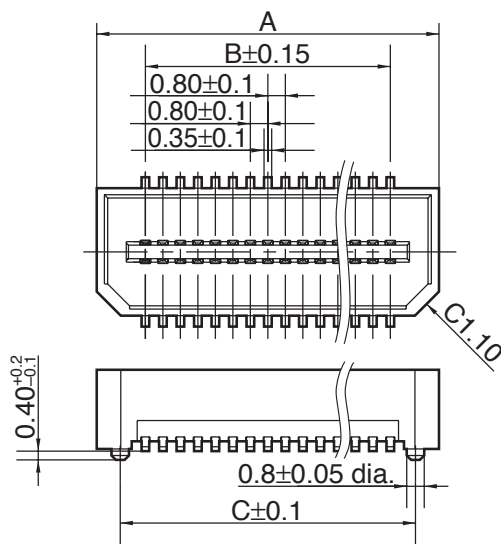
Electronic Solutions Division
Interconnect Solutions
<http://www.3M.com/interconnects/>

3M is a trademark of 3M Company.
For technical, sales or ordering information call
800-225-5373

3M™ Pak 8 Plug Connector

0.8 mm, Vertical, Surfacemount, 3 mm to 8 mm Stack Height

P08 Series



Dimensions

No of Contacts	A	B	C	D	E	F
16	10.05	5.6	7.9	7.9	5.6	0.1
20	11.65	7.2	9.5	9.5	7.2	0.1
24	13.25	8.8	11.1	11.1	8.8	0.1
26	14.05	9.6	11.9	11.9	9.6	0.1
30	15.65	11.2	13.5	13.5	11.2	0.1
40	19.65	15.2	17.5	17.5	15.2	0.1
50	25.85	19.2	21.5	21.5	19.2	0.15
60	29.85	23.2	25.5	25.5	23.2	0.15
80	37.85	31.2	33.5	33.5	31.2	0.15
100	45.85	39.2	41.5	41.5	39.2	0.15

Stacking Matrix

		Stack Height When Mated To:	
Plug Type	Dim G	A Skt	B Skt
A	2.72	3	6
B	3.72	4	7
C	4.72	5	8

Not Available:

16 Contact: B Socket & C Plug
(5, 6, 7, and 8mm)

24 Contact: B Plug (4 and 7mm)

mm (inch)		
Tolerance Unless Noted		
mm	.0	.00
	±.3	±.3

() Dimensions used for Reference Only

Ordering Information

P08 - XXX - PLXX - X - G (RIA E1 & C1 apply)

Contact Quantity
See Table

Packaging:
T = Tape & Reel (opt)
Blank = Tube Pack

Height Options:
A = 2.72 mm Height
B = 3.72 mm Height, (Excludes 24 Contact)
C = 4.72 mm Height, (Excludes 16 Contact)

C = Suction Cover
Blank = none

TS-1096-E
Sheet 2 of 2

3M

Electronic Solutions Division
Interconnect Solutions

<http://www.3M.com/interconnects/>

3M is a trademark of 3M Company.

For technical, sales or ordering information call

800-225-5373

Important Notice

All statements, technical information, and recommendations related to 3M's products are based on information believed to be reliable, but the accuracy or completeness is not guaranteed. Before using this product, you must evaluate it and determine if it is suitable for your intended application. You assume all risks and liability associated with such use. Any statements related to the product which are not contained in 3M's current publications, or any contrary statements contained on your purchase order shall have no force or effect unless expressly agreed upon, in writing, by an authorized officer of 3M.

Warranty; Limited Remedy; Limited Liability.

This product will be free from defects in material and manufacture for a period of one (1) year from the time of purchase. **3M MAKES NO OTHER WARRANTIES INCLUDING, BUT NOT LIMITED TO, ANY IMPLIED WARRANTY OF MERCHANTABILITY OR FITNESS FOR A PARTICULAR PURPOSE.** If this product is defective within the warranty period stated above, your exclusive remedy shall be, at 3M's option, to replace or repair the 3M product or refund the purchase price of the 3M product. **Except where prohibited by law, 3M will not be liable for any indirect, special, incidental or consequential loss or damage arising from this 3M product, regardless of the legal theory asserted.**



3M Electronics Solutions Division

6801 River Place Blvd.
Austin, TX 78726-9000
U.S.A.
1-800-225-5373
www.3m.com/interconnects

Please recycle. Printed in USA.
© 3M 2008. All rights reserved.
RIA-2217B-E

3M is a trademark of 3M Company.