

### Features

- IEEE 802.3 Ethernet Compatible
- Designed for AMD IC manufacturers
- Fully integrated for adapter, hub and motherboard applications

### Applications

- LAN (Local Area Network)
- Ethernet

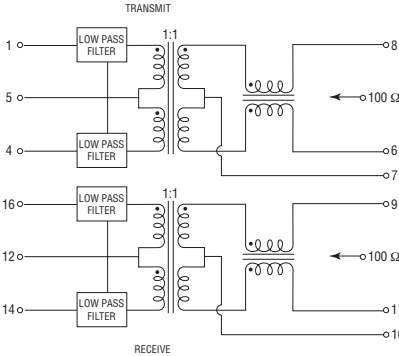
## PT61008 LAN 10Base-T Filter Interface

### Electrical Specifications @ 25 °C

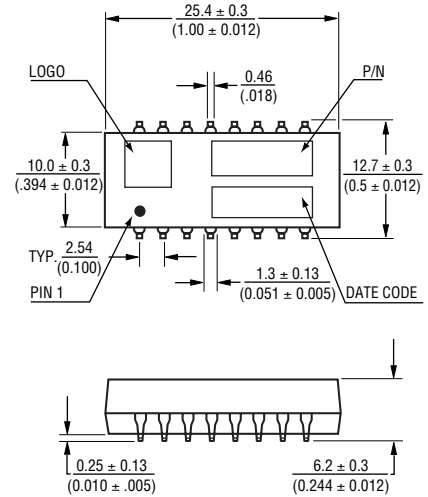
Turns Ratio	
TX ± 5 %	1:1
RX ± 5 %	1:1
Insertion Loss (dB max.)	
1 to 10 MHz	-6.0
Cross Talk (dB min.)	
5 to 10 MHz	-35
Hipot (Vrms min.)	
1500	
Attenuation (dB min.)	
20 MHz	-5
25 MHz	-11
30 MHz	-16
40 MHz	-26
Return Loss (dB min.)	
5-10 MHz, 100 Ω	-15
5-10 MHz, 98 ± 13 Ω	-13
Com Mode Rejection (dB min.)	
5-10 MHz	-30
10-50 MHz	-25
Operating Temperature	
0 °C to +70 °C	

Other OCL specifications available on request.

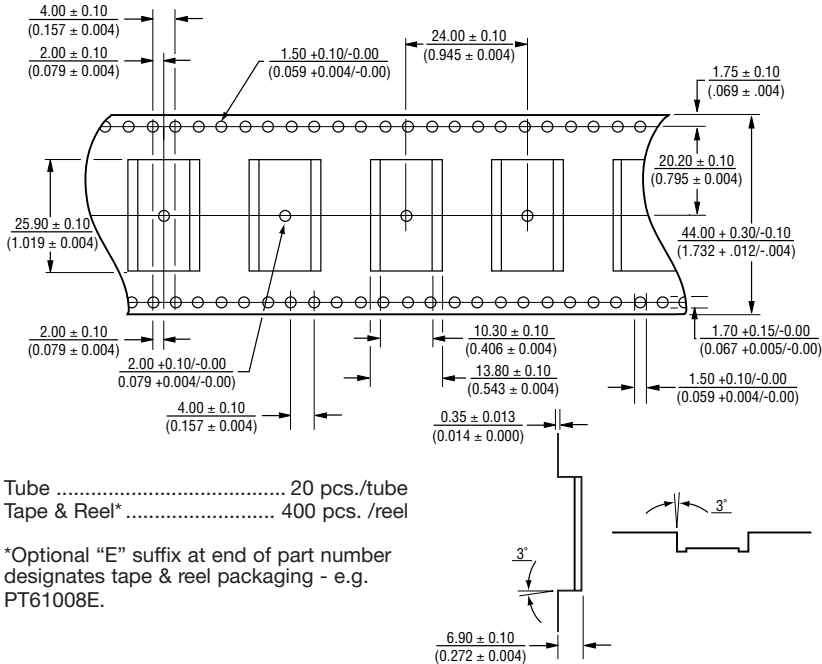
### Electrical Schematic



### Product Dimensions



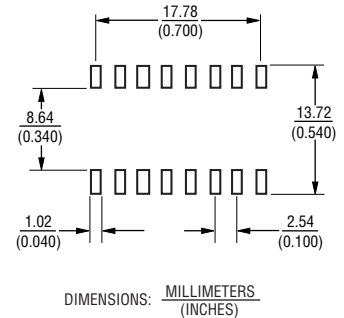
### Packaging Specifications



Tube ..... 20 pcs./tube  
Tape & Reel\* ..... 400 pcs./reel

\*Optional "E" suffix at end of part number designates tape & reel packaging - e.g. PT61008E.

### Recommended Layout



Specifications are subject to change without notice. Customers should verify actual device performance in their specific applications.