

Features

- IEEE 802.3 Ethernet Compatible
- Designed for AMD IC manufacturers
- Fully integrated for adapter, hub and motherboard applications

Applications

- LAN (Local Area Network)
- Ethernet

PT61010 LAN 10Base-T

Electrical Specifications @ 25 °C

Turns Ratio	
TX ± 5%	1CT*:2CT*
RX ± 5%	1CT*:1CT*
OCL (uH min)	112
Interwinding Capacitance	
C _{ww} (pF max.)	8
Leakage Inductance L _s (uH max.)	0.3
Hipot 60 sec. (V _{rms})	1500
DCR (Ω max.)	0.8
Operating Temperature	0 °C to +70 °C

*CT: Center tap

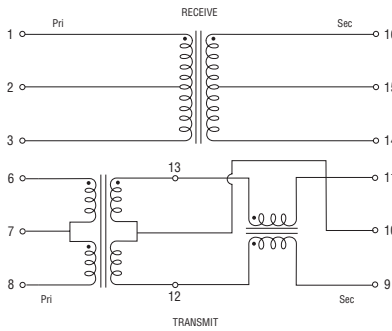
Other OCL specifications available on request.

Packaging Specifications

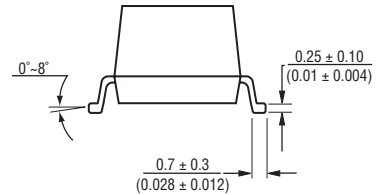
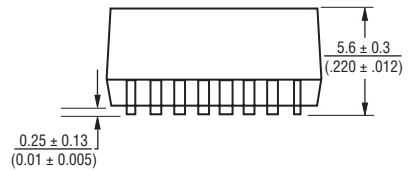
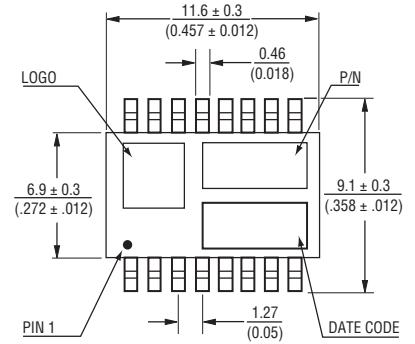
Tube	50 pcs./tube
Tape & Reel*	750 pcs./reel

*Optional "E" suffix at end of part number designates tape & reel packaging - e.g. PT61010E.

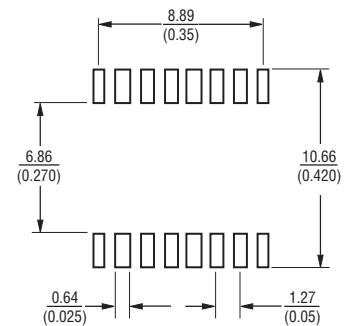
Electrical Schematic



Product Dimensions



Recommended Layout



DIMENSIONS: MILLIMETERS
(INCHES)

Specifications are subject to change without notice.
Customers should verify actual device performance in their specific applications.