

## Features

- IEEE 802.3af Ethernet Compatible
- Designed for AMD IC manufacturers
- Fully integrated for adapter, hub and motherboard applications
- Lead free version available (see How to Order)
- Lead free version is RoHS compliant\*

## Applications

- LAN (Local Area Network)
- Ethernet

# PT61017 LAN 10/100 Base-Tx

### Electrical Specifications @ 25 °C

Turns Ratio	
TX ± 5% .....	1CT*:1CT*
RX ± 5% .....	1CT*:1CT*
OCL (uH min) .....	350
Interwinding Capacitance	
C <sub>ww</sub> (pF typ.) .....	20
Leakage Inductance L <sub>s</sub> (uH max.) .....	0.5
Hipot 60 sec. (V <sub>rms</sub> ) .....	1500
DCR (Ω max.) .....	0.9
Polarity .....	1-16, 6-11 In-Phase
Insertion Loss	
0.3-100 MHz - 1.1 dB Max. (TX/RX)	
Return Loss	
0.3-30 MHz .....	-18 dB Min. (TX/RX)
40 MHz .....	-15 dB Min. (TX/RX)
50 MHz .....	-13 dB Min. (TX/RX)
60-80 MHz .....	-12 dB Min. (TX/RX)
Cross Talk	
0.3 - 60 MHz .....	-42 dB Min. (TX to RX)
60-100 MHz .....	-35 dB Min. (TX to RX)
Common Mode Rejection	
0.3-30 MHz .....	-40 dB Min. (TX/RX)
60-100 MHz .....	-35 dB Min. (TX/RX)
80-100 MHz .....	-30 dB Min. (TX/RX)
Operating Temperature .....	0 °C to +70 °C

\*CT: Center tap

### Material

Termination	
PT61017 .....	Phosphor Bronze/Tin-Lead
PT61017L .....	Phosphor Bronze/Tin

### Packaging Specifications

Tube .....	50 pcs./tube
Tape & Reel* .....	750 pcs./reel

\*Optional "E" suffix at end of part number designates tape & reel packaging - e.g. PT61017E.

### How to Order

Model	PT61017
Packaging	Blank = Packaged in tubes E = Tape and reel
Termination	Blank = Tin-lead L = Tin only (lead free)

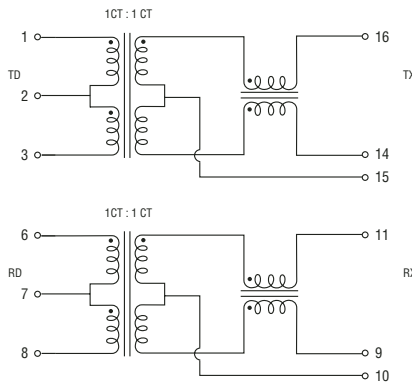
REV. 07/07

\*RoHS Directive 2002/95/EC Jan 27 2003 including Annex

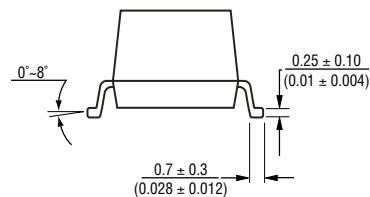
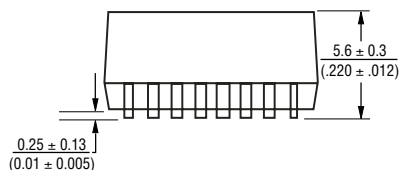
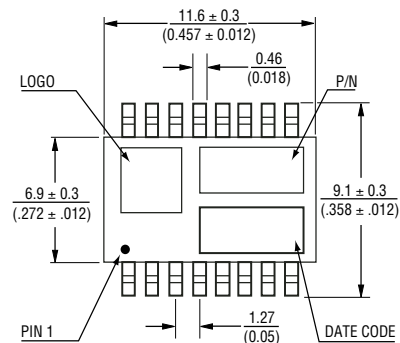
Specifications are subject to change without notice.

Customers should verify actual device performance in their specific applications.

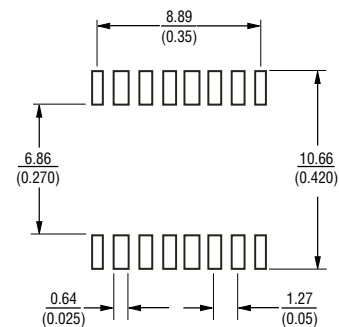
### Electrical Schematic



### Product Dimensions



### Recommended Layout



DIMENSIONS: MILLIMETERS  
(INCHES)