

Features

- Compliant with IEEE802.3ab Draft Standards for 1000 Base-T
- Designed for Long Haul Gigabit Ethernet 10/100/1000 Base-T Full Duplex applications
- Low profile surface mount packaging designed for reflow process (225 ° peak)
- Supports 4 pairs of Category 5 UTP cables

- RoHS compliant*

Applications

- LAN
- Ethernet

PT61020L LAN 10/100/1000 Base-T Transformer Modules

Electrical Specifications @ 25 °C

Inductance	350 μ H min.
with 8 mA DC bias @ 100 KHz, 0.2 V	
Leakage Inductance.....	0.50 μ H max.
@ 100 KHz, 0.2 V	
Interwinding Capacitance	25 pF typ.
@ 100 KHz, 0.2 V	
DC Resistance	0.90 Ω max.
Insertion Loss.....	0.3-100 MHz
	-1.1 dB max.
Return Loss (dB min.)	
0.3-30 MHz	-18
40 MHz.....	-14.4
50 MHz.....	-13.1
60-80 MHz	-12
Cross Talk (dB min.)	
0.3-30 MHz	-35
60-100 MHz.....	-28
Common Mode Rejection (dB min.)	
0.3-30 MHz	-40
60 MHz.....	-35
80-100 MHz.....	-30
Turns Ratio	1 CT:1 \pm 5 %
Isolation Hi-Pot....	1500 VAC 1 mA 1 sec.
Operating Temperature	
.....	-40 ° C to +85 ° C

PT61020L is extended temperature version of PT61024L.

Packaging Specifications

Tube.....28 pcs./tube

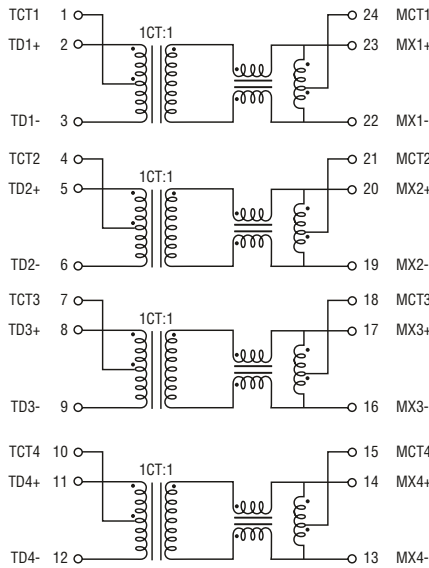
How To Order

Model PT61020 L

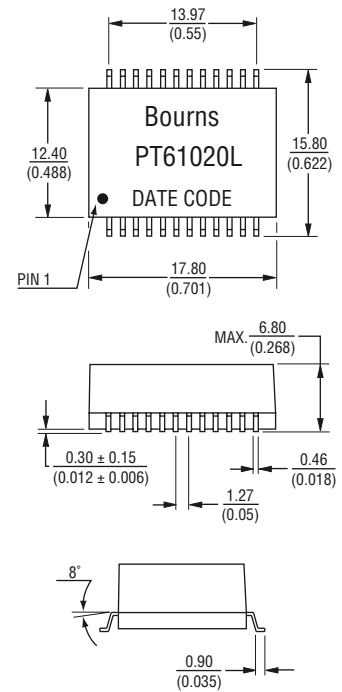
Termination _____

L = Tin only (lead free)

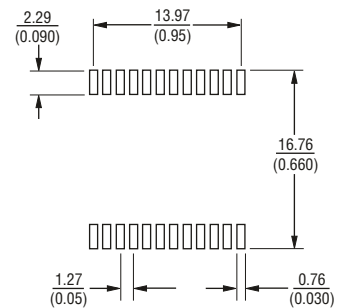
Electrical Schematic



Product Dimensions



Recommended Layout



DIMENSIONS: $\frac{\text{MM}}{\text{(INCHES)}}$

TOLERANCES: $\pm \frac{0.25}{(.010)}$

REV. 09/08

*RoHS Directive 2002/95/EC Jan 27 2003 including Annex.
Specifications are subject to change without notice.
Customers should verify actual device performance in their specific applications