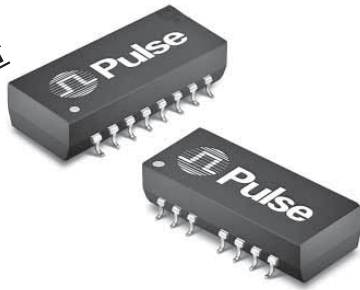


10/100BASE-TX SINGLE PORT TRANSFORMER MODULES

With Various Transmit Turns Ratios



- RoHS peak reflow temperature rating 245°C
- Meets IEEE 802.3 specification
- Designed for use with transceivers for AMD & Micrel

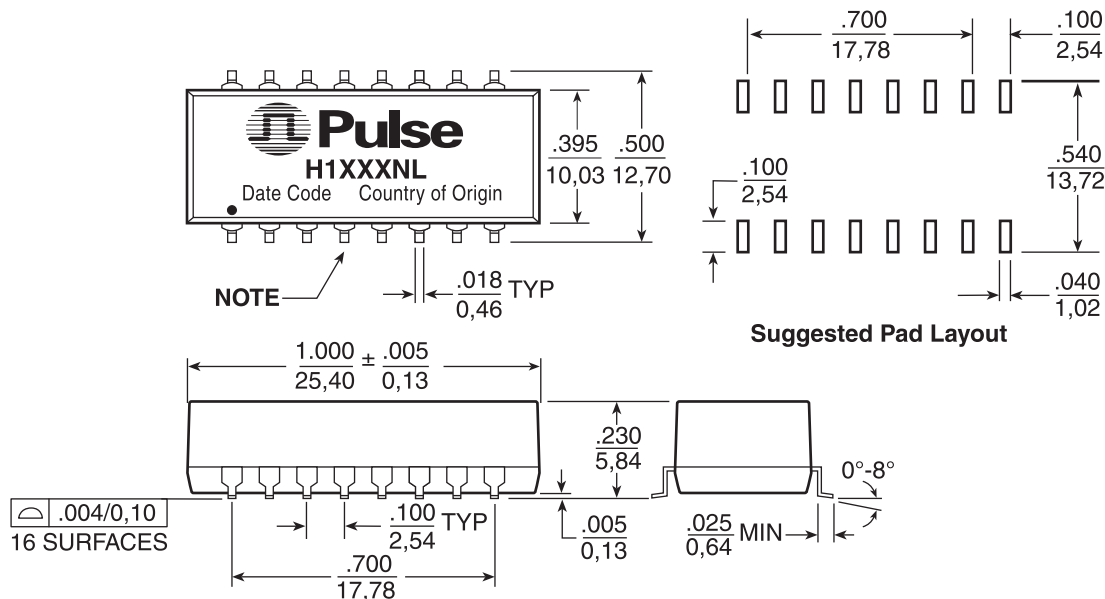
Electrical Specifications @ 25°C — Operating Temperature 0°C to 70°C

Part Number	Turns Ratio (±5%)		Insertion Loss (dB MAX) 100 kHz-100 MHz	Return Loss (dB MIN)				Crosstalk (dB MIN)			Hipot (Vrms MIN)
	TX	Rx		30 MHz	60 MHz	80 MHz	30 MHz	60 MHz	100 MHz		
H1015QNL ^{1c}	1.141:1	1:1	-1.0	-16	-12	-10	-45	-38	-34	1500	
H1033NL ^{1c}	1.141:1	1:1	-1.0	-16	-12	-10	-45	-38	-34	1500	
H1043NL ^{1c}	1.141:1	1:1	-1.0	-16	-12	-10	-45	-38	-34	1500	
H1081NL ^{1c}	1:1.141	1:1	-2.0	-18	-12	-11	-45	-38	-34	1500	
H1093NL ^{1c,2}	1.141:1	1:1	-1.0	-16	-12	-10	-45	-38	-34	1500	
H1119NL ^{1c}	1:1.141	1:1	-2.0	-16	-11	-10	-45	-38	-34	1500	

1. MSL = Moisture Sensitivity Level: a = 1, b = 2, c = 3, d = 4, e = 5.
2. The H1093NL has been optimized for use with the Kendin KS8761 (now Micrel).

Mechanical

H1015QNL, H1033NL, H1043NL, H1081NL, H1093NL, H1119NL



Dimensions: $\frac{\text{Inches}}{\text{mm}}$
 Unless otherwise specified, all tolerances are $\pm \frac{.010}{0,25}$

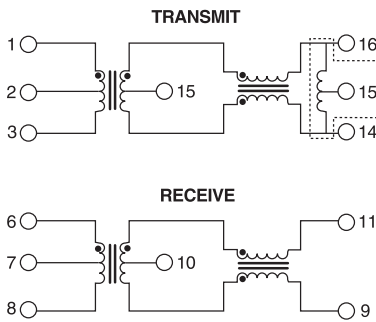
10/100BASE-TX SINGLE PORT TRANSFORMER MODULES

With Various Transmit Turns Ratios

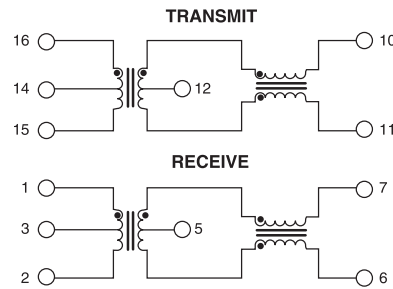


Schematics

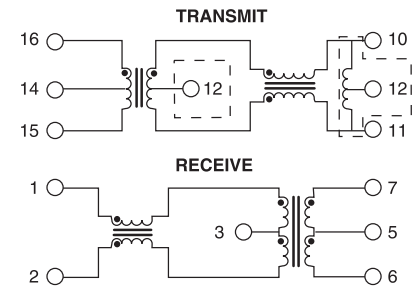
H1033NL, H1043NL, H1093NL



H1015QNL

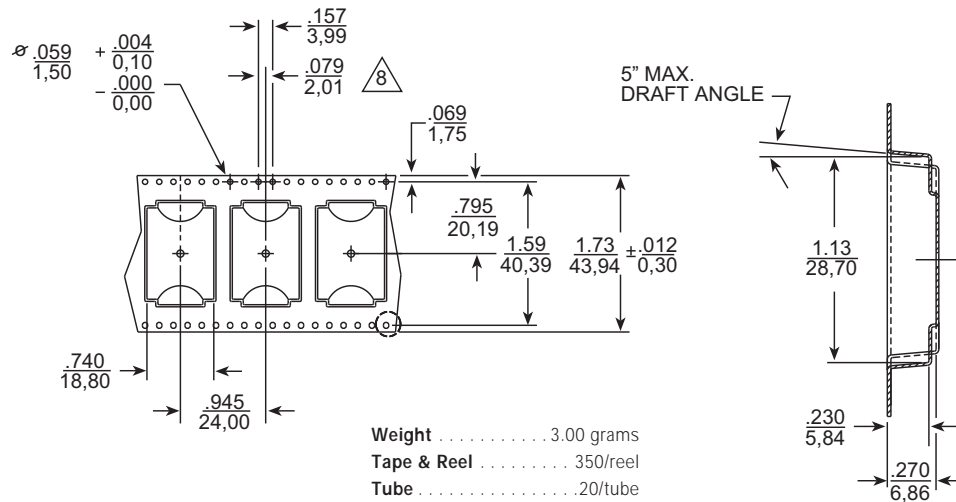


H1081NL, H1119NL



NOTE: The H1081NL incorporates an autotransformer, so there is no connection to the TX transformer center tap.

Tape and Reel Specifications



NOTE: Modules are packaged in tubes, unless Tape & Reel is specified. Add the suffix "T" such as H1013NLT for Tape & Reel orders.

For More Information:

Pulse Worldwide Headquarters

12220 World Trade Dr.
San Diego, CA 92128
U.S.A.

www.pulseeng.com

Tel: 858 674 8100
Fax: 858 674 8262

Pulse Europe

Einsteinstrasse 1
D-71083 Herrenberg
Germany

Tel: 49 7032 7806 0
Fax: 49 7032 7806 135

Pulse China Headquarters

B402, Shenzhen Academy of
Aerospace Technology Bldg.
10th Kejinan Rd.
High-Tech Zone
Nanshan District
Shenzhen, PR China 518057

Tel: 86 755 33966678
Fax: 86 755 33966700

Pulse North China

Room 2704/2705
Super Ocean Finance Ctr.
2067 Yan An Rd. West
Shanghai 200336
China

Tel: 86 21 62787060
Fax: 86 2162786973

Pulse South Asia

135 Joo Seng Rd.
#03-02
PM Industrial Bld g.
Singapore 368363

Tel: 65 6287 8998
Fax: 65 6287 8998

Pulse North Asia

3F, No. 198
Zhongyuan Rd.
Zhongli City
Taoyuan County 320
Taiwan R. O. C.

Tel: 886 3 4356768
Fax: 886 3 4356823 (Pulse)
Fax: 886 3 4356820 (FRE)

Performance warranty of products offered on this data sheet is limited to the parameters specified. Data is subject to change without notice. Other brand and product names mentioned herein may be trademarks or registered trademarks of their respective owners.

© Copyright, 2010. Pulse Engineering, Inc. All rights reserved.

www.pulseeng.com