

# Intel® Desktop Board DQ57TM Product Guide

---

Order Number: E78894-002

# Revision History

Revision	Revision History	Date
-001	First release of the Intel® Desktop Board DQ57TM Product Guide	January 2010
-002	Second release of the Intel® Desktop Board DQ57TM Product Guide	March 2010

If an FCC declaration of conformity marking is present on the board, the following statement applies:

## FCC Declaration of Conformity

This device complies with Part 15 of the FCC Rules. Operation is subject to the following two conditions: (1) this device may not cause harmful interference, and (2) this device must accept any interference received, including interference that may cause undesired operation.

For questions related to the EMC performance of this product, contact:

Intel Corporation, 5200 N.E. Elam Young Parkway, Hillsboro, OR 97124  
1-800-628-8686

This equipment has been tested and found to comply with the limits for a Class B digital device, pursuant to Part 15 of the FCC Rules. These limits are designed to provide reasonable protection against harmful interference in a residential installation. This equipment generates, uses, and can radiate radio frequency energy and, if not installed and used in accordance with the instructions, may cause harmful interference to radio communications. However, there is no guarantee that interference will not occur in a particular installation. If this equipment does cause harmful interference to radio or television reception, which can be determined by turning the equipment off and on, the user is encouraged to try to correct the interference by one or more of the following measures:

- Reorient or relocate the receiving antenna.
- Increase the separation between the equipment and the receiver.
- Connect the equipment to an outlet on a circuit other than the one to which the receiver is connected.
- Consult the dealer or an experienced radio/TV technician for help.

Any changes or modifications to the equipment not expressly approved by Intel Corporation could void the user's authority to operate the equipment.

Tested to comply with FCC standards for home or office use.

## Canadian Department of Communications Compliance Statement

This digital apparatus does not exceed the Class B limits for radio noise emissions from digital apparatus set out in the Radio Interference Regulations of the Canadian Department of Communications.

Le présent appareil numérique n'émet pas de bruits radioélectriques dépassant les limites applicables aux appareils numériques de la classe B prescrites dans le Règlement sur le brouillage radioélectrique édicté par le ministère des Communications du Canada.

## Disclaimer

INFORMATION IN THIS DOCUMENT IS PROVIDED IN CONNECTION WITH INTEL® PRODUCTS. NO LICENSE, EXPRESS OR IMPLIED, BY ESTOPPEL OR OTHERWISE, TO ANY INTELLECTUAL PROPERTY RIGHTS IS GRANTED BY THIS DOCUMENT. EXCEPT AS PROVIDED IN INTEL'S TERMS AND CONDITIONS OF SALE FOR SUCH PRODUCTS, INTEL ASSUMES NO LIABILITY WHATSOEVER, AND INTEL DISCLAIMS ANY EXPRESS OR IMPLIED WARRANTY, RELATING TO SALE AND/OR USE OF INTEL PRODUCTS INCLUDING LIABILITY OR WARRANTIES RELATING TO FITNESS FOR A PARTICULAR PURPOSE, MERCHANTABILITY, OR INFRINGEMENT OF ANY PATENT, COPYRIGHT OR OTHER INTELLECTUAL PROPERTY RIGHT. Intel products are not intended for use in medical, life saving, or life sustaining applications. Intel may make changes to specifications and product descriptions at any time, without notice.

Intel Desktop Board DQ57TM may contain design defects or errors known as errata which may cause the product to deviate from published specifications. Current characterized errata are available on request. Contact your local Intel sales office or your distributor to obtain the latest specifications and before placing your product order.

Copies of documents which have an ordering number and are referenced in this document, or other Intel literature, may be obtained from Intel Corporation by going to the World Wide Web site at: <http://www.intel.com/> or by calling 1-800-548-4725.

Intel, Core i7, i5, i3, and Xeon are trademarks of Intel Corporation in the United States and other countries.

\* Other names and brands may be claimed as the property of others.

Copyright © 2010, Intel Corporation. All rights reserved.

# Preface

---

This Product Guide gives information about board layout, component installation, BIOS update, and regulatory requirements for Intel® Desktop Board DQ57TM.

## Intended Audience

The Product Guide is intended for technically qualified personnel. It is not intended for general audiences.

## Use Only for Intended Applications

All Intel Desktop Boards are evaluated as Information Technology Equipment (I.T.E.) for use in personal computers (PC) for installation in homes, offices, schools, computer rooms, and similar locations. The suitability of this product for other PC or embedded non-PC applications or other environments, such as medical, industrial, alarm systems, test equipment, etc. may not be supported without further evaluation by Intel.

## Document Organization

The chapters in this Product Guide are arranged as follows:

- 1 Desktop Board Features: a summary of product features
- 2 Installing and Replacing Desktop Board Components: instructions on how to install the Desktop Board and other hardware components
- 3 Updating the BIOS: instructions on how to update the BIOS
- A Error Messages and Indicators: information about BIOS error messages and beep codes
- B Regulatory Compliance: describes the board's adherence to safety standards and EMC regulations and its product certifications

## Conventions

The following conventions are used in this manual:



### **CAUTION**

*Cautions warn the user about how to prevent damage to hardware or loss of data.*



### **NOTE**

*Notes call attention to important information.*

## Terminology

The table below gives descriptions of some common terms used in the product guide.

<b>Term</b>	<b>Description</b>
GB	Gigabyte (1,073,741,824 bytes)
GHz	Gigahertz (one billion hertz)
KB	Kilobyte (1024 bytes)
MB	Megabyte (1,048,576 bytes)
Mb	Megabit (1,048,576 bits)
MHz	Megahertz (one million hertz)

# Contents

---

## 1 Desktop Board Features

Supported Operating Systems.....	11
Desktop Board Components.....	12
Processor.....	14
Intel® Q57 Express Chipset .....	15
Main Memory.....	15
Graphics Subsystem .....	16
Integrated Graphics .....	16
DisplayPort* .....	16
Digital Visual Interface.....	16
PCI Express* x16 Graphics .....	17
Audio Subsystem .....	17
LAN Subsystem .....	18
USB 2.0 Support.....	19
SATA Support.....	19
SATA RAID .....	19
Intel® Rapid Recover Technology (Intel® RRT) .....	19
Expandability.....	20
Legacy I/O.....	20
BIOS.....	20
SATA Auto Configuration .....	20
PCI*/PCI Express Auto Configuration.....	20
BIOS Security Passwords .....	21
Hard Disk Drive Passwords.....	21
Platform Management and Protection.....	23
Intel® vPro™ Technology .....	23
Intel® Active Management Technology (Intel® AMT) .....	23
Intel® Virtualization Technology (Intel® VT) .....	26
Intel® Trusted Execution Technology (Intel® TXT) .....	26
Intel® Remote PC Assist (Intel® RPAT) and Fast Call for Help.....	26
Trusted Platform Module (TPM) .....	27
Fan Speed Control and Hardware Monitoring .....	27
Power Management .....	28
Software Support.....	28
Hardware Support.....	28
ENERGY STAR*, e-Standby, and ErP Compliance .....	31
Onboard Speaker.....	32
Real-Time Clock Subsystem.....	32

## 2 Installing and Replacing Desktop Board Components

Before You Begin .....	33
Installation Precautions.....	34
Prevent Power Supply Overload .....	34
Observe Safety and Regulatory Requirements.....	34
Installing the I/O Shield .....	35
Installing and Removing the Desktop Board .....	36

Installing and Removing a Processor .....	37
Installing a Processor .....	37
Installing a Processor Fan Heat Sink .....	42
Connecting the Processor Fan Heat Sink Cable .....	42
Removing the Processor .....	42
Installing and Removing System Memory .....	43
Guidelines for Dual Channel Memory Configuration .....	43
Two or Four DIMMs .....	43
Three DIMMs .....	44
Installing DIMMs .....	45
Removing DIMMs .....	47
Installing and Removing PCI Express x16 Graphics Cards .....	47
Installing a PCI Express x16 Graphics Card .....	47
Removing a PCI Express x16 Graphics Card .....	49
Connecting Serial ATA (SATA) Cables .....	50
Connecting to the Internal Headers .....	51
Front Panel Audio Header .....	52
Internal Mono Speaker Header .....	52
S/PDIF Header .....	53
Chassis Intrusion Header .....	53
Alternate Front Panel Power LED Header .....	53
Front Panel Header .....	54
Front Panel USB 2.0 Headers .....	54
Intel RPAT Header .....	55
Serial Header .....	55
Connecting to the Audio System .....	56
Connecting Chassis Fan and Power Supply Cables .....	57
Connecting Chassis Fan Cables .....	57
Connecting Power Supply Cables .....	58
Setting the BIOS Configuration Jumper .....	59
Clearing Passwords in the BIOS Setup Program .....	60
Clearing CMOS Memory .....	61
Replacing the Battery .....	62
<b>3 Updating the BIOS</b>	
Updating the BIOS with the Intel® Express BIOS Update Utility .....	69
Updating the BIOS with the ISO Image BIOS Update File or the Iflash Memory Update Utility .....	70
Obtaining the BIOS Update File .....	70
Updating the BIOS with the ISO Image BIOS Update File .....	71
Updating the BIOS with the Iflash Memory Update Utility .....	72
Recovering the BIOS .....	72
<b>A Error Messages and Indicators</b>	
BIOS Error Codes .....	73
BIOS Error Messages .....	74

**B Regulatory Compliance**

Safety Standards .....	75
Place Battery Marking .....	75
European Union Declaration of Conformity Statement.....	76
Product Ecology Statements .....	77
Recycling Considerations .....	77
Lead-free 2LI/Pb-free 2LI Board .....	80
Restriction of Hazardous Substances (RoHS) .....	81
EU RoHS .....	81
China RoHS .....	82
EMC Regulations .....	84
Ensure Electromagnetic Compatibility (EMC) Compliance.....	85
Product Certifications.....	86
Board-Level Certification Markings .....	86
Chassis and Component Certifications.....	87

**Figures**

1. Intel Desktop Board DQ57TM Components .....	12
2. LAN Status LEDs .....	18
3. Location of the Intel ME "M" State LED .....	25
4. Location of the Standby Power Indicator .....	30
5. Installing the I/O Shield .....	35
6. Intel Desktop Board DQ57TM Mounting Screw Hole Locations .....	36
7. Unlatch the Socket Lever.....	37
8. Lift the Load Plate.....	38
9. Remove the Socket Cover.....	39
10. Remove the Processor from the Protective Cover .....	40
11. Install the Processor .....	40
12. Lower the Load Plate.....	41
13. Secure the Load Plate in Place.....	41
14. Connecting the Processor Fan Heat Sink Power Cable to the Processor Fan Header.....	42
15. Example Dual Channel Memory Configuration with Two DIMMs .....	43
16. Example Dual Channel Memory Configuration with Four DIMMs .....	44
17. Example Dual Channel Memory Configuration with Three DIMMs .....	44
18. Use DDR3 DIMMs .....	45
19. Installing a DIMM .....	46
20. Installing a PCI Express x16 Graphics Card .....	48
21. Removing a PCI Express x16 Graphics Card.....	49
22. Connecting a Serial ATA Cable.....	50
23. Internal Headers .....	51
24. Back Panel Audio Connectors .....	56
25. Location of the Chassis Fan Headers.....	57
26. Connecting Power Supply Cables .....	58
27. Location of the BIOS Configuration Jumper Block .....	59
28. Location of the Clear CMOS Memory Jumper Block .....	62
29. Removing the Battery .....	67
30. Intel Desktop Board DQ57TM China RoHS Material Self Declaration Table .....	83

## **Tables**

1. Feature Summary.....	9
2. Intel Desktop Board DQ57TM Components .....	13
3. LAN Status LEDs States.....	18
4. Master Key and User Hard Disk Drive Password Functions .....	21
5. Intel ME "M" State LED Behavior.....	25
6. Front Panel Audio Signal Names for Intel HD Audio.....	52
7. Front Panel Audio Header Signal Names for AC '97 Audio .....	52
8. Internal Mono Speaker Header .....	52
9. S/PDIF Header Signal Names .....	53
10. Chassis Intrusion Header Signal Names .....	53
11. Alternate Front Panel Power LED Header Signal Names .....	53
12. Front Panel Header Signal Names .....	54
13. USB 2.0 Headers Signal Names .....	54
14. Intel RPAT Header Signal Names .....	55
15. Serial Port Header .....	55
16. Jumper Settings for the BIOS Setup Program Modes.....	60
17. Clear CMOS Jumper Settings.....	61
18. BIOS Beep Codes .....	73
19. Front-panel Power LED Blink Codes.....	74
20. BIOS Error Messages .....	74
21. Safety Standards.....	75
22. Lead-Free Second Level Interconnect Marks .....	81
23. China RoHS Environmentally Friendly Use Period Mark.....	82
24. EMC Regulations.....	84
25. Product Certification Markings .....	86



# 1 Desktop Board Features

This chapter briefly describes the features of Intel® Desktop Board DQ57TM. Table 1 summarizes the major features of the Desktop Board.

**Table 1. Feature Summary**

<b>Form Factor</b>	MicroATX (243.84 millimeters [9.60 inches] x 243.84 millimeters [9.60 inches])
<b>Processor Support</b>	<ul style="list-style-type: none"><li>• Intel® Core™ i7, Intel® Core™ i5, Intel® Core™ i3, Intel® Pentium processors, and Intel® Xeon® processor 3400 series in an LGA1156 package:<ul style="list-style-type: none"><li>– Integrated graphics processing (processors with Intel® Graphics Technology)</li><li>– External graphics interface controller</li><li>– Integrated memory controller</li></ul></li></ul>
<b>Chipset</b>	Intel® Q57 Express Chipset consisting of the Intel® Q57 Express Platform Controller Hub (PCH)
<b>Memory Support</b>	<ul style="list-style-type: none"><li>• Four 240-pin DDR3 SDRAM Dual Inline Memory Module (DIMM) sockets</li><li>• Support for DDR3 1333 MHz and DDR3 1066 MHz DIMMs</li><li>• Support for 1 Gb and 2 Gb memory technology</li><li>• Support for up to 16 GB of system memory with four DIMMs using 2 Gb memory technology</li><li>• Support for non-ECC memory</li><li>• Support for ECC memory with Intel Xeon processor 3400 series</li></ul>
<b>Graphics Support</b>	<ul style="list-style-type: none"><li>• Integrated graphics support for processors with Intel Graphics Technology:<ul style="list-style-type: none"><li>– DVI-I</li><li>– DVI-D</li><li>– DisplayPort* interface</li></ul></li><li>• Discrete graphics support for PCI Express* 2.0 x16 add-in graphics card</li></ul>
<b>Audio</b>	Intel® High Definition Audio: <ul style="list-style-type: none"><li>• Realtek* ALC662-VC audio codec</li><li>• S/PDIF audio header</li><li>• DisplayPort* digital audio</li></ul>
<b>Expansion Capabilities</b>	<ul style="list-style-type: none"><li>• One PCI Express 2.0 x16 add-in card connector</li><li>• Two PCI Express 2.0 x1 add-in card connectors</li><li>• One PCI* bus connector</li></ul>

continued

**Table 1. Feature Summary** (continued)

<b>Peripheral Interfaces</b>	<ul style="list-style-type: none"> <li>• Fourteen USB 2.0 ports:               <ul style="list-style-type: none"> <li>– Six ports are implemented with back panel connectors</li> <li>– Eight ports are implemented with four dual-port internal headers</li> </ul> </li> <li>• Five onboard Serial ATA (SATA) 3.0 Gb/s ports with one port compatible with external SATA (eSATA) adapters</li> <li>• One back panel eSATA port</li> <li>• One serial port header</li> </ul>
<b>LAN Support</b>	<p>Intel® 82578DM Gigabit (10/100/1000 Mb/s) Ethernet LAN controller with support for:</p> <ul style="list-style-type: none"> <li>• Intel® Active Management Technology (Intel® AMT) 6.0</li> <li>• ASF 2.0</li> </ul>
<b>BIOS</b>	<ul style="list-style-type: none"> <li>• Intel® BIOS resident in an SPI Flash device</li> <li>• Support for Advanced Configuration and Power Interface (ACPI), Plug and Play, and SMBIOS</li> </ul>
<b>Instantly Available PC Technology</b>	<ul style="list-style-type: none"> <li>• Support for PCI Local Bus Specification, Revision 2.2</li> <li>• Support for PCI Express Base Specification, Revision 2.0</li> <li>• Suspend to RAM support</li> <li>• Wake on PCI, PCI Express, LAN, front panel, serial, and USB ports</li> </ul>
<b>Hardware Monitoring</b>	<ul style="list-style-type: none"> <li>• Intel® Quiet System Technology (Intel® QST) implemented through the Intel® Management Engine (Intel® ME) in the Intel Q57 PCH</li> <li>• Voltage sense to detect out of range power supply voltages</li> <li>• Thermal sense to detect out of range thermal values</li> <li>• Three fan headers using PWM control</li> <li>• 4-pin headers for processor, front chassis, and rear chassis fans</li> <li>• 4-wire and 3-wire (linear) fan speed control support for front and rear chassis fans</li> <li>• Support for Platform Environmental Control Interface (PECI)</li> </ul>
<b>Intel® vPro™ Technology</b>	<ul style="list-style-type: none"> <li>• Intel® Advanced Management Technology (Intel® AMT) 6.0</li> <li>• Intel® Trusted Execution Technology (Intel® TXT)</li> <li>• Intel® Remote PC Assist (Intel® RPAT)</li> <li>• Intel® Fast Call for Help</li> <li>• Intel® Virtualization Technology (Intel® VT)</li> <li>• Intel® Virtualization for Directed I/O (Intel® VT-d)</li> </ul>

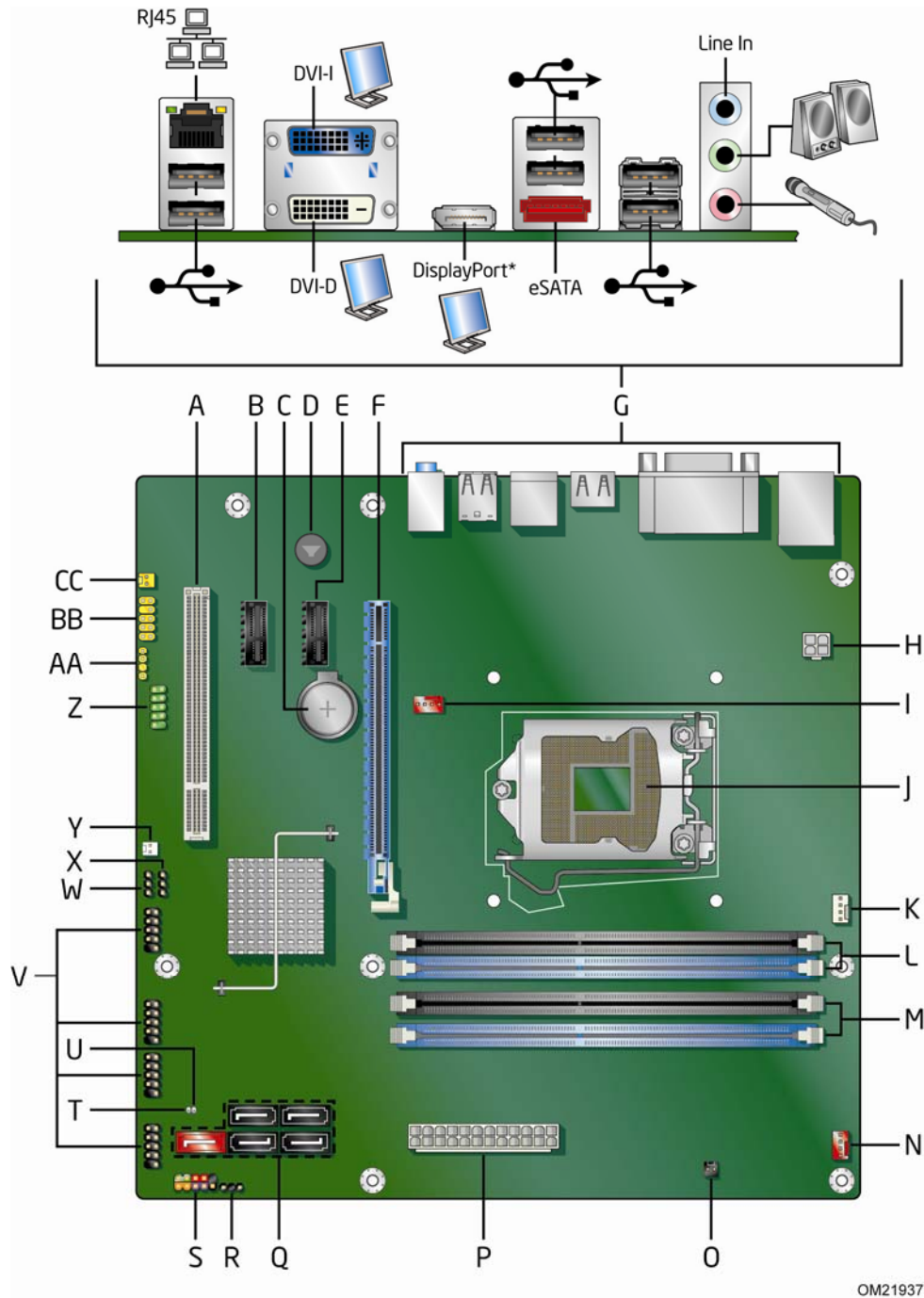
## Supported Operating Systems

The Desktop Board supports the following operating systems:

- Microsoft Windows\* 7 Ultimate 64-bit edition
- Microsoft Windows 7 Ultimate 32-bit edition
- Microsoft Windows 7 Professional 64-bit edition
- Microsoft Windows 7 Professional 32-bit edition
- Microsoft Windows 7 Home Premium 64-bit edition
- Microsoft Windows 7 Home Premium 32-bit edition
- Microsoft Windows 7 Starter 64-bit edition
- Microsoft Windows 7 Starter 32-bit edition
- Microsoft Windows Vista\* Ultimate 32-bit edition
- Microsoft Windows Vista Business 32-bit edition
- Microsoft Windows Vista Home Premium 32-bit edition
- Microsoft Windows Vista Home Basic 32-bit edition
- Microsoft Windows Vista Ultimate 64-bit edition
- Microsoft Windows Vista Business 64-bit edition
- Microsoft Windows Vista Home Premium 64-bit edition
- Microsoft Windows Vista Home Basic 64-bit edition
- Microsoft Windows\* XP Media Center Edition 2005
- Microsoft Windows XP Professional
- Microsoft Windows XP Professional x64 Edition
- Microsoft Windows XP Home

## Desktop Board Components

Figure 1 shows the approximate location of the major components on Intel Desktop Board DQ57TM.



OM21937

**Figure 1. Intel Desktop Board DQ57TM Components**

**Table 2. Intel Desktop Board DQ57TM Components**

<b>Label</b>	<b>Description</b>
A	PCI bus add-in card connector
B	PCI Express 2.0 x1 add-in card connector
C	Battery
D	Speaker
E	PCI Express 2.0 x1 add-in card connector
F	PCI Express 2.0 x16 add-in card connector
G	Back panel connectors
H	12 V processor core voltage connector (2 x 2 pin)
I	Rear chassis fan header
J	Processor socket
K	Processor fan header
L	DDR3 Channel A, DIMM 0 and DIMM 1 sockets
M	DDR3 Channel B, DIMM 0 and DIMM 1 sockets
N	Front chassis fan header
O	Chassis intrusion header
P	Main power connector (2 x 12 pin)
Q	SATA connectors (5)
R	Alternate front panel power LED header
S	Front panel header
T	Standby power indicator LED
U	Intel ME "M" state LED
V	Front panel USB 2.0 headers (4)
W	BIOS configuration jumper block
X	Clear CMOS jumper block
Y	Intel Remote PC Assist Technology (Intel RPAT) header
Z	Serial port header
AA	S/PDIF header
BB	Front panel audio header
CC	Internal mono speaker header

### Online Support

For more information on Intel Desktop Board DQ57TM consult the following online resources:

- Intel Desktop Board DQ57TM <http://www.intel.com/products/motherboard/DQ57TM/index.htm>
- Desktop Board Support <http://www.intel.com/support/motherboards/desktop/DQ57TM>
- Available configurations for Intel Desktop Board DQ57TM <http://www.intel.com/products/motherboard/DQ57TM/index.htm>
- Supported processors <http://processormatch.intel.com>
- Chipset information <http://www.intel.com/products/desktop/chipsets/index.htm>
- BIOS and driver updates <http://downloadcenter.intel.com/>
- Integration information <http://www.intel.com/support/go/buildit>

## Processor



### CAUTION

*Failure to use an appropriate power supply and/or not connecting the 12 V (2 x 2 pin) power connector to the Desktop Board may result in damage to the board, or the system may not function properly.*

Intel Desktop Board DQ57TM supports the Intel Core i7, Intel Core i5, Intel Core i3, Intel Pentium, and Intel Xeon 3400-series processors in the LGA1156 package. Processors are not included with the Desktop Board and must be purchased separately. The processor connects to the Desktop Board through an LGA1156 socket.

For information on supported processors for Intel Desktop Board DQ57TM, go to <http://processormatch.intel.com>.

## Intel® Q57 Express Chipset

The Intel Q57 Express Chipset, consisting of the Intel Q57 Platform Controller Hub (PCH), provides interfaces to the processor and the USB, SATA, LPC, audio, network, display, PCI, and PCI Express x1 interfaces. The PCH is a centralized controller for the board's I/O paths.

## Main Memory



### NOTE

*To be fully compliant with all applicable Intel® SDRAM memory specifications, the board should be populated with DIMMs that support the Serial Presence Detect (SPD) data structure. If your memory modules do not support SPD, you will see a notification to this effect on the screen at power up. The BIOS will attempt to configure the memory controller for normal operation.*

The board has four DIMM sockets and supports the following memory features:

- Two independent memory channels with interleaved mode support
- Support for non-ECC, unbuffered, single-sided or double-sided DIMMs with x8 organization
- Support for ECC unbuffered memory when used with an Intel Xeon 3400-series processor
- 16 GB maximum total system memory (with 2 Gb memory technology)
- Minimum total system memory: 1 GB using 1 Gb x8 modules
- Serial Presence Detect
- DDR3 1333 MHz and DDR3 1066 MHz SDRAM DIMMs



### NOTE

*32-bit operating systems are limited to a maximum of 4 GB of memory. These operating systems will report less than 4 GB because of the memory used by add-in graphics cards and other system resources.*



### NOTE

*When using a processor without Intel® Graphics Technology, memory must be installed in either or both of the DIMM 0 (blue) memory sockets for the system to boot.*

## Graphics Subsystem

The board supports either integrated graphics (Intel Graphics Technology) or PCI Express 2.0 x16 graphics.

### Integrated Graphics

The board supports integrated graphics through the Intel® Flexible Display Interface (Intel® FDI) for processors with Intel Graphics Technology.



#### NOTE

*If using a processor with integrated graphics, the board will support only two of the three integrated graphics interfaces simultaneously: DisplayPort, DVI-I, DVI-D. Also, during the Power-On Self-Test (POST), the board will not output to the DisplayPort if DVI-I or DVI-D is used concurrently with DisplayPort.*

### DisplayPort\*

DisplayPort is a digital communication interface that utilizes differential signaling to achieve a high bandwidth bus interface designed to support connections between PCs and monitors, projectors, and TV displays. DisplayPort is suitable for display connections between consumer electronics devices such as high definition optical disc players, set top boxes, and TV displays. DisplayPort output can be converted to High-Definition Multimedia Interface\* (HDMI\*) output using a DisplayPort-HDMI converter.

DisplayPort's maximum supported display resolution is 2560 x 1600 at a 60 Hz refresh rate with a 16:10 aspect ratio (WQXGA). DisplayPort 1.1 adds support for High Bandwidth Digital Content Protection (HDCP) version 1.3 which enables viewing of protected content from Blu-ray Disc\* and HD-DVD optical media over DisplayPort 1.1 connections.

For more information about DisplayPort technology go to <http://www.displayport.org>.

### Digital Visual Interface

Intel Desktop Board DQ57TM supports Digital Visual Interface (DVI) displays with two back panel ports: a DVI-D port and a DVI-I port.

The DVI-I port supports both digital and analog DVI displays. The maximum supported resolution is 2048 x 1536 at a 75 Hz refresh rate (QXGA). The DVI-I port is compliant with the DVI 1.0 specification. DVI analog output from the DVI-I port can be converted to VGA for viewing on a VGA display using a DVI-VGA converter.

The DVI-D port supports only digital DVI displays. The maximum supported resolution is 2048 x 1536 at a 75 Hz refresh rate (QXGA). The DVI-D port is compliant with the DVI 1.0 specification.



## PCI Express\* x16 Graphics

The Intel Core i7, Intel Core i5, Intel Core i3, and Intel Pentium processors in an LGA1156 socket support discrete add-in graphics cards via the PCI Express 2.0 x16 add-in card connector. The board supports the following PCI Express speeds:

- PCI Express 2 frequency of 2.5 GHz which results in 5.0 Gb/s in each direction (500 MB/s) per lane. The maximum theoretical bandwidth on the interface is 8 GB/s in each direction, simultaneously, when operating in x16 mode.
- PCI Express 1 frequency of 1.25 GHz resulting in 2.5 Gb/s each direction (250 MB/s) per lane. The maximum theoretical bandwidth on the interface is 4 GB/s in each direction, simultaneously, when operating in x16 mode.

## Audio Subsystem

The board supports Intel High Definition Audio through a Realtek ALC662-VC audio codec as well as through the HDMI interface.

The Realtek ALC662-VC-based audio subsystem provides the following features:

- 6-channel (5.1) audio with independent multi-streaming stereo
- Advanced jack sense for the back panel audio connectors that enables the audio codec to recognize the device that is connected to an audio port. The back panel audio connectors are capable of retasking according to the user's definition, or can be automatically switched depending on the recognized device type.
- Stereo input and output via back panel connectors
- Headphone and Mic in functions for front panel audio connectors
- A signal-to-noise (S/N) ratio of 90 dB

The board provides onboard audio headers and back panel connectors.

The onboard audio headers include the following:

- Front panel audio (a 2 x 5 pin header that provides headphone and mic in signals for front panel audio connectors)
- S/PDIF audio header (1 x 4 pin header)
- Internal mono speaker header (1 x 2 pin header)

Front panel headphone output is supported by a separate audio channel pair, allowing multi-streaming audio configurations such as simultaneous 6-channel (5.1) surround sound playback and stereo audio conferencing (through speakers connected to the back panel audio connectors and a headset connected to front panel audio connectors).

The onboard internal mono speaker header allows connection to an internal, low-power speaker for basic system sound capability. The subsystem is capable of driving a speaker load of 8  $\Omega$  at 1 W (rms) or 4  $\Omega$  at 1.5 W (rms).

The onboard S/PDIF header allows connection to coaxial or optical adapters for digital audio output.

The back panel audio connectors are configurable through the audio device drivers. Audio software and drivers are available from <http://downloadcenter.intel.com/>.

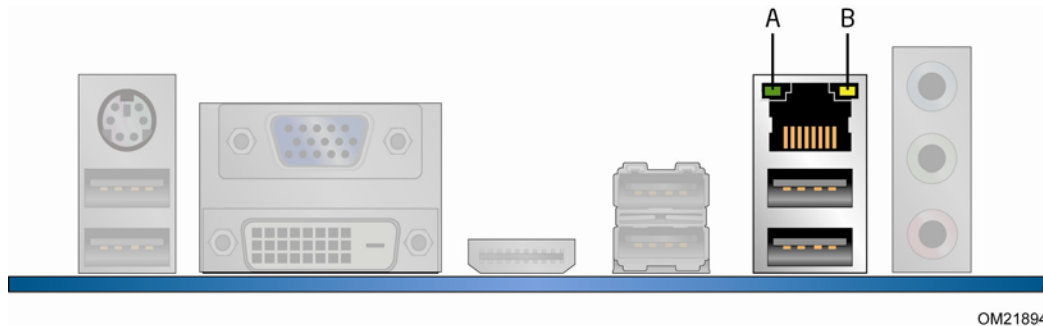
## LAN Subsystem

The LAN subsystem includes:

- Intel 82578DM Gigabit (10/100/1000 Mb/s) Ethernet LAN controller with support for:
  - Intel AMT 6.0
  - ASF 2.0
- RJ-45 LAN connector with integrated status LEDs

LAN software and drivers are available at <http://downloadcenter.intel.com/>.

Two LEDs are built into the RJ-45 LAN connector located on the back panel (see Figure 2). These LEDs indicate the status of the LAN as shown in Table 3.



**Figure 2. LAN Status LEDs**

**Table 3. LAN Status LEDs States**

LED	LED Color	LED State	Indicates
A (Link/Activity)	Green	Off	LAN link is not established
		On	LAN link is established
		Blinking	LAN activity is occurring
B (Link Speed)	N/A	Off	10 Mb/s data rate
	Green	On	100 Mb/s data rate
	Yellow	On	1000 Mb/s data rate

## USB 2.0 Support

The board supports up to 14 USB 2.0 ports provided by two EHCI host controllers in the PCH that allow the use of EHCI-compatible drivers.

The port arrangement is as follows:

- Six back panel connectors
- Eight front panel ports (four dual-port internal headers)

USB 2.0 support requires both an operating system and drivers that fully support USB 2.0 transfer rates.

## SATA Support

The board provides six SATA connectors through the PCH, which support one device per connector:

- Four internal SATA connectors (black)
- One internal eSATA connector (red) for internal or external connections
- One eSATA connector on the back panel for external connections

The PCH provides independent SATA ports with a theoretical maximum transfer rate of 3 Gb/s per port. A point-to-point interface is used for computer to storage device connections.

## SATA RAID

The Intel Q57 PCH supports Intel® Rapid Storage Technology (Intel® RST) which enables the following RAID (Redundant Array of Independent Drives) levels:

- RAID 0 - data striping
- RAID 1 - data mirroring
- RAID 0+1 (or RAID 10) - data striping and mirroring
- RAID 5 - distributed parity

## Intel® Rapid Recover Technology (Intel® RRT)

The board incorporates Intel® Rapid Recover Technology (Intel® RRT). Intel RRT is a feature of Intel RST. Intel RRT uses RAID 1 (mirroring) functionality to copy data from a designated master drive to a designated recovery drive. The master drive data can be copied to the recovery drive either continuously or on request.

When using the continuous update policy, changes made to the data on the master drive while the recovery drive is disconnected or offline are automatically copied to the recovery drive when it is reconnected. When using the on request update policy, the master drive data can be restored to a previous state by copying the data on the recovery drive back to the master drive.

## Expandability

Intel Desktop Board DQ57TM provides the following expansion capability:

- One PCI Express 2.0 x16 interface
- Two PCI Express 2.0 x1 interfaces
- One PCI bus interface

## Legacy I/O

The board's Legacy I/O Controller provides the following legacy features:

- One serial port header
- Serial IRQ interface compatible with serialized IRQ support for PCI Conventional bus systems
- Intelligent power management, including a programmable wake-up event interface
- PCI Conventional bus power management support

The BIOS Setup program provides configuration options for the Legacy I/O controller.

## BIOS

The BIOS provides the Power-On Self-Test (POST), the BIOS Setup program, and the PCI/PCI Express and SATA auto-configuration utilities. The BIOS is stored in the Serial Peripheral Interface (SPI) Flash memory device.

The BIOS can be updated by following the instructions in Chapter 3 starting on page 69.

## SATA Auto Configuration

If you install a SATA device (such as a hard disk drive) in your computer, the auto-configuration utility in the BIOS automatically detects and configures the device for your computer. You do not need to run the BIOS Setup program after installing a SATA device. You can override the auto-configuration options by specifying manual configuration in the BIOS Setup program.

## PCI\*/PCI Express Auto Configuration

If you install a PCI or PCI Express add-in card in your computer, the PCI/PCI Express auto-configuration utility in the BIOS automatically detects and configures the resources (IRQs, DMA channels, and I/O space) for that add-in card. You do not need to run the BIOS Setup program after you install a PCI or PCI Express add-in card.

## BIOS Security Passwords

The BIOS includes security features that restrict whether the BIOS Setup program can be accessed and who can boot the computer. A supervisor password and a user password can be set for the BIOS Setup and for booting the computer, with the following restrictions:

- The supervisor password gives unrestricted access to view and change all Setup options. If only the supervisor password is set, pressing <Enter> at the password prompt of Setup gives the user restricted access to Setup.
- If both the supervisor and user passwords are set, you must enter either the supervisor password or the user password to access Setup. Setup options are then available for viewing and changing depending on whether the supervisor or user password was entered.
- Setting a user password restricts who can boot the computer. The password prompt is displayed before the computer is booted. If only the supervisor password is set, the computer boots without asking for a password. If both passwords are set, you can enter either password to boot the computer.

For instructions on resetting the password, go to Clearing Passwords on page 60.

## Hard Disk Drive Passwords

The board's Hard Disk Drive Password Security feature blocks read and write accesses to the hard disk drive until the correct password is entered. Hard disk drive passwords are set in BIOS Setup and are prompted for during the POST. For convenient support of ACPI S3 resume, the system BIOS automatically unlocks drives on resume from S3.

The User hard disk drive password, when set, will be required upon each power cycle until the Master Key or User hard disk drive password is entered.

The Master Key hard disk drive password, when set, will not lock the hard disk drive. The Master Key hard disk drive password is an unlock override that can be used in the event that the User hard disk drive password has been forgotten. Only the installation of the User hard disk drive password will cause a hard disk drive to be locked upon a system power cycle.

Table 4 shows the effects of setting the hard disk drive passwords.

**Table 4. Master Key and User Hard Disk Drive Password Functions**

Password Set	Password During Boot
Neither	None
Master only	None
User only	User only
Master and User	Master or User

During every POST, if a User hard disk drive password is set, POST execution will pause with the following prompt to force the user to enter the Master Key or User hard disk drive password:

```
Enter Hard Disk Drive Password:
```

Upon successful entry of the Master Key or User hard disk drive password, the system will continue with the normal POST.

If the hard disk drive password is not correctly entered, the system will go back to the above prompt. The user will have three attempts to correctly enter the hard disk drive password. After the third unsuccessful hard disk drive password attempt, the system will halt with the message:

```
Hard Disk Drive Password Entry Error
```

A manual power cycle will be required to resume system operation.



### **NOTE**

*On Intel Desktop Board DQ57TM, the Hard Disk Drive Password Security feature is only supported on SATA port 0. Since the passwords are stored on the hard disk drive, if the drive is relocated to another SATA port or computer that does not support the Hard Disk Drive Password Security feature, the drive will not be accessible.*



### **NOTE**

*The Hard Disk Drive Password Security feature is not supported in PCH RAID mode. Secured hard disk drives attached to the system when the system is in PCH RAID mode will not be accessible due to the disabling of BIOS Hard Disk Drive Password support.*

## Platform Management and Protection

Intel Desktop Board DQ57TM integrates several functions designed to manage the system and lower the total cost of ownership (TCO) of the system. These system management functions are designed to report errors, diagnose the system, and recover from system lockups without the aid of an external microcontroller. The board also includes several fan speed control and power management features.

### Intel® vPro™ Technology

Intel vPro™ Technology is a set of processor and platform capabilities designed to enable greater proactive security, enhanced maintenance, and improved remote management both inside and outside the corporate firewall. These include:

- Intel® Active Management Technology (Intel® AMT)
- Intel® Virtualization Technology (Intel® VT)
- Intel® Trusted Execution Technology (Intel® TXT)
- Intel® Virtualization Technology for Directed I/O (Intel® VT-d)
- Intel® Remote PC Assist (Intel® RPAT)/Fast Call for Help
- Intel® Anti-Theft Technology 2.0 (Intel® AT 2.0)
- Trusted Platform Module (TPM)

### Intel® Active Management Technology (Intel® AMT)

Intel AMT offers IT organizations tamper-resistant and persistent management capabilities. Specifically, Intel AMT is a hardware-based solution that uses out of band communication to manage access to client systems in addition to offering encrypted and persistent asset management and remote diagnostics and/or recovery capabilities for networked platforms. With Intel AMT, IT organizations can easily get accurate platform information, and can perform remote updating, diagnostics, debugging and repair of a system, regardless of the state of the operating system or the power state of the system.

The Intel AMT subsystem consists of:

- Intel Management Engine (Intel ME) microcontroller embedded in the Intel Q57 PCH
- Intel 82578DM Gigabit (10/100/1000 Mbits/s) Ethernet LAN controller
- BIOS/SPI Flash (64 Mbits)
- On-board Intel ME "M" state status LED



#### **NOTE**

*Software with Intel AMT capability is required to take advantage of Intel AMT platform management capabilities.*

## Intel Desktop Board DQ57TM Product Guide

The key features of Intel AMT include:

- Secure Out of Band (OOB) system management that allows remote management of PCs regardless of system power or operating system state.
- Remote troubleshooting and recovery that can significantly reduce desk-side visits and potentially increasing efficiency of IT technical staff.
- Proactive alerting that decreases downtime and minimizes time to repair.
- Third party non-volatile storage that prevents users from removing critical inventory, remote control, or virus protection agents.
- Remote hardware and software asset tracking that eliminates time-consuming manual inventory tracking, which also reduces asset accounting costs.
- System Defense 2
- Remote Configuration (RCFG)
- KVM (Keyboard-Video-Mouse) Redirection. KVM redirection requires the use of an Intel processor with integrated graphics.
- PC Alarm Clock

For more information about Intel AMT, go to

<http://www.intel.com/technology/platform-technology/intel-amt/index.htm>.

### Intel AMT Software and Drivers

Intel AMT software and drivers are available from Intel's World Wide Web site. The package usually consists of the following components:

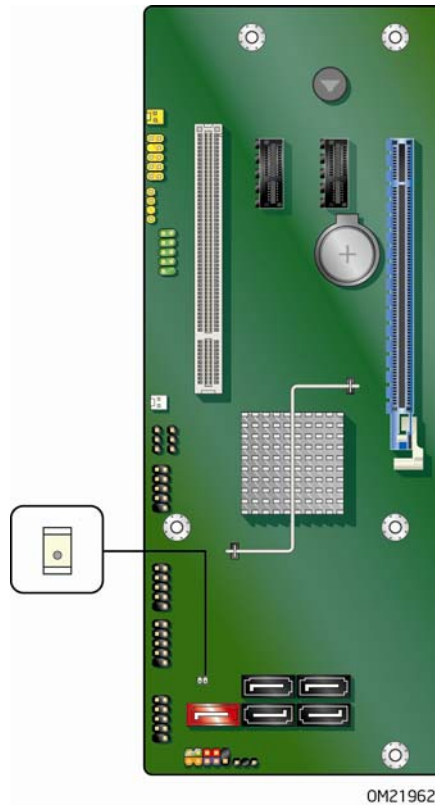
- Intel® Management Engine Interface (Intel® MEI)
- Serial Over LAN (SOL) driver
- Local Manageability Service (LMS)
- User Notification Service (UNS)
- Intel® ME WMI provider
- Intel® Active Management Technology NAC Posture Plug-in
- Intel Control Center
- Intel® Management and Security Status Application
- Intel® Remote PC Assist Technology Client Agent



### Intel ME "M" State LED

The board has a red-colored Intel ME "M" state LED (see Figure 3). The "M" state is based on Intel ME status, as follows:

- M0 = Intel ME is in full control in S0
- M3 = Intel ME is in full control in S3-S5 for "out of bound" Intel manageability
- M<sub>off</sub> = Intel ME is in sleep state after Intel ME timeout has occurred



**Figure 3. Location of the Intel ME "M" State LED**

Table 5 shows the expected behavior of the Intel ME "M" state LED.

**Table 5. Intel ME "M" State LED Behavior**

Sx/M3	Sx/M <sub>off</sub>	S0/M0
LED blinks	Off	On

## Intel® Virtualization Technology (Intel® VT)

Intel VT is a processor technology that enables a platform to run multiple operating systems and applications as independent machines, allowing one computer system to function as multiple "virtual" systems. It also provides the "assisted hardware virtualization" required by some operating systems for backward compatibility, such as Windows XP Mode for Microsoft Windows 7.



### **NOTE**

*Intel VT requires an Intel processor that supports Intel VT.*

## Intel® Trusted Execution Technology (Intel® TXT)

Intel TXT helps protect the platform against software-based attacks and preserves the confidentiality and integrity of the data created and stored on the system. It accomplishes this by using a measured launch and leveraging Intel VT to produce a protected environment for the execution of sensitive applications.



### **NOTE**

*Intel TXT requires an Intel processor that supports Intel TXT.*

## Intel® Remote PC Assist (Intel® RPAT) and Fast Call for Help

Intel RPAT provides a means for on-demand, reactive maintenance for small and medium businesses. Out of band, it is activated by pressing function key <F9> during the system POST. Optionally, an integrator may choose to connect an external button to the RPAT header that serves the same function. To utilize Intel RPAT technology from the desktop requires the installation of the Intel RPAT Client Agent, available for download from the Intel World Wide Web site.

Fast Call for Help supplies remote maintenance connectivity for the Enterprise user inside or outside the corporate firewall. Coupled with your enterprise's Management Presence Server, it provides both reactive and proactive maintenance. Inside the firewall, this feature adapts Client Initiated Local Access (CILA); outside the firewall it uses Client Initiated Remote Access (CIRA). This service is triggered in the same manner as Intel RPAT.

Many of the features of Intel AMT are available with Intel RPAT and Fast Call for Help. These include Serial-over-LAN, IDE Redirection, KVM Redirection, and PC Alarm Clock.

**NOTE**

*Intel RPAT requires an Intel vPro technology-enabled computer that has an Intel RPAT-enabled BIOS, a connection with a power source, and the Internet. This service operates via a wired LAN connection only and requires a direct Internet connection (no proxy server) with the ability to connect to external Internet locations (locations outside the local network). A remote service provider supporting Intel RPAT must be used to perform remote management. The Intel Remote PC Assist Wizard application and third party remote management software tools supporting Intel RPAT must be deployed on the target computer running one of the supported operating systems in order to perform remote management operations. Use of the technology may require configuration by the purchaser. Intel RPAT is not available in all locations or on all computer systems.*

For more information about Intel RPAT, go to <http://www.intel.com/technology/product/remotepcassist.htm>.

## Trusted Platform Module (TPM)

The Nuvoton\* WPCT210 TPM 1.2, revision 103 component on Intel Desktop Board DQ57TM is designed to enhance platform security above-and-beyond the capabilities of today's software by providing a protected space for key operations and other security critical tasks. Using both hardware and software, the TPM protects encryption and signature keys at their most vulnerable stages—operations when the keys are being used unencrypted in plain-text form. The TPM is specifically designed to shield unencrypted keys and platform authentication information from software-based attacks.

For information about enabling and activating the TPM, refer to the *Trusted Platform Module (TPM) Quick Reference Guide* included with the board.

## Fan Speed Control and Hardware Monitoring

The features of the hardware monitoring and fan speed control include:

- Intel Quiet System Technology, delivering acoustically-optimized thermal management
- Thermal sensors in the processor and the Intel PCH, as well as near the CPU voltage regulators and system memory
- Monitoring of system voltages to detect levels above or below acceptable values
- Thermally monitored closed-loop fan control for all three fans that can adjust fan speed as needed
- Supports for chassis security feature that detects if the chassis cover has been removed. The security feature uses a mechanical switch on the chassis that can be connected to the chassis intrusion header on the Desktop Board.

## Power Management

Power management is implemented at several levels, including software support through the Advanced Configuration and Power Interface (ACPI) and the following hardware support:

- Power connectors
- Fan headers
- LAN wake capabilities
- Instantly Available PC technology (Suspend to RAM)
- +5 V standby power indicator LED
- Wake from USB
- PCI Power Management Event signal (PME#) wakeup support
- PCI Express WAKE# signal support
- Wake from PS/2 devices
- Wake from serial port

## Software Support

### ACPI

ACPI gives the operating system direct control over the power management and Plug and Play functions of a computer. The use of ACPI with the Desktop Board requires an operating system that provides full ACPI support.

## Hardware Support

### Power Connectors

ATX12V-compliant power supplies can turn off the computer power through system control. When an ACPI-enabled computer receives the correct command, the power supply removes all non-standby voltages.

When resuming from an AC power failure, the computer returns to the power state it was in before power was interrupted (either on or off). The computer's response can be set by using the Last Power State feature in the BIOS Setup program's Boot menu.

The Desktop Board has two power connectors. See Figure 26 on page 58 for the location of the power connectors.

### Fan Headers

The function/operation of the fans is as follows:

- The fans are on when the board is in the ACPI S0 or S1 state.
- The fans are off when the computer is in the ACPI S3, S4, or S5 state.
- Each fan header is wired to a tachometer input.
- All fan headers support closed-loop fan control that can adjust the fan speed or switch the fan on or off as needed.
- All fan headers have a +12 V DC connection.
- All fan headers are controlled by Pulse Width Modulation.
- The front and rear chassis fans support Linear Fan Control on 3-wire fans.

The Desktop Board has a 4-pin processor fan header and two 4-pin chassis fan headers that are compatible with 4-wire and 3-wire chassis fans.

### LAN Wake Capabilities



#### CAUTION

*For LAN wake capabilities, the 5 V standby line for the power supply must be capable of delivering adequate +5 V standby current. Failure to provide adequate standby current when using this feature can damage the power supply.*

LAN wakeup capabilities enable remote wake-up of the computer through a network. The LAN subsystem monitors network traffic and upon detecting a Magic Packet\* frame, it asserts a wake-up signal that powers up the computer.

### Instantly Available PC Technology



#### CAUTION

*For Instantly Available PC technology, the 5 V standby line for the power supply must be capable of delivering adequate +5 V standby current. Failure to provide adequate standby current when using this feature can damage the power supply and/or effect ACPI S3 sleep state functionality.*

Instantly Available PC technology enables the board to enter the ACPI S3 (Suspend-to-RAM) sleep state. Instantly Available PC technology enables the board to enter the ACPI S3 (Suspend-to-RAM) sleep-state. While in the S3 sleep-state, the computer will appear to be off (the power supply is off and the front panel power LED will behave as configured by the BIOS "S3 State Indicator" option). When signaled by a wake-up device or event, the system quickly returns to its last known wake state. When signaled by a wake-up device or event, the computer quickly returns to its last known awake state.

The Desktop Board supports the *PCI Bus Power Management Interface Specification*. Add-in cards that support this specification can participate in power management and can be used to wake the computer.

The use of Instantly Available PC technology requires operating system support and PCI 2.2 compliant add-in cards, PCI Express add-in cards, and drivers.

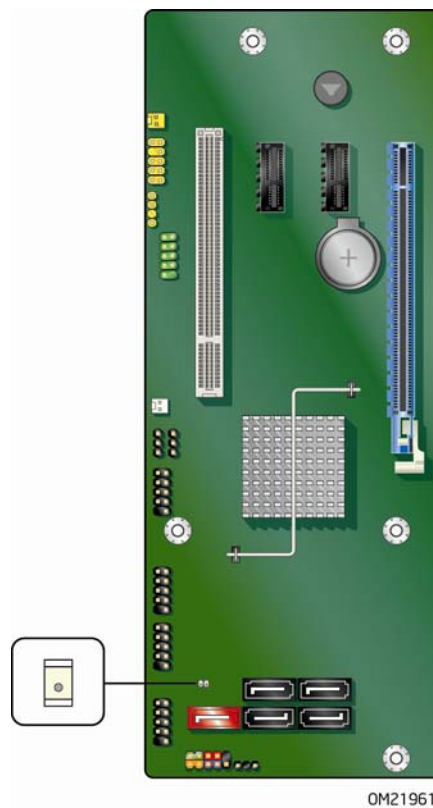
## +5 V Standby Power Indicator LED



### CAUTION

*If the AC power has been switched off and the standby power indicator is still lit, disconnect the power cord before installing or removing any devices connected to the board. Failure to do so could damage the board and any attached devices.*

The Desktop Board's standby power indicator LED, shown in Figure 4, is lit when there is standby power still present on the board even when the computer appears to be off. For example, when this green LED is lit, standby power is still present at the memory module sockets and the PCI bus connectors.



**Figure 4. Location of the Standby Power Indicator**

For more information on standby current requirements for the Desktop Board, refer to the Technical Product Specification at <http://www.intel.com/support/motherboards/desktop/>.

## Wake from USB



### NOTE

*Wake from USB requires the use of a USB peripheral that supports Wake from USB and an operating system that supports Wake from USB.*

USB bus activity wakes the computer from an ACPI S1 or S3 state.

## PCI PME# Signal Wake-up Support

When the PME# signal on the PCI bus is asserted, the computer wakes from an ACPI S1, S3, S4, or S5 state.

## PCI Express WAKE# Signal Wake-up Support

When the WAKE# signal on a PCI Express bus add-in card is asserted, the computer wakes from an ACPI S1, S3, S4, or S5 state.

## Wake from Serial Port

Serial port activity wakes the computer from an ACPI S1 or S3 state.

## ENERGY STAR\*, e-Standby, and ErP Compliance

The US Department of Energy and the US Environmental Protection Agency have continually revised the ENERGY STAR requirements. Intel has worked directly with these two governmental agencies in the definition of the new requirements.

Intel Desktop Board DQ57TM meets the following program requirements in an adequate system configuration, including appropriate selection of an efficient power supply:

- Energy Star v5.0, category A
- EPEAT
- Korea e-Standby
- European Union Energy-related Products Directive 2009 (ErP)

For information about ENERGY STAR requirements and recommended configurations, go to <http://www.intel.com/go/energystar>.

## Onboard Speaker

A speaker is mounted on the Desktop Board. The speaker provides audible error code (beep code) information during the Power-On Self-Test (POST). Refer to Appendix A for a description of the beep codes that may be generated during the POST.

## Real-Time Clock Subsystem

A coin-cell battery (CR2032) powers the real-time clock and CMOS memory. When the computer is not plugged into a wall socket, the battery has an estimated life of three years. When the computer is plugged in, the standby current from the power supply extends the life of the battery.

The clock is accurate to  $\pm 13$  minutes/year at 25 °C with standby power applied by the power supply.



### **NOTE**

*If the battery and AC power fail, date and time values will be reset and the user will be notified during the POST.*

When the battery voltage drops below a certain level, the BIOS Setup program settings stored in CMOS RAM (for example, the date and time) might not be accurate. Replace the battery with an equivalent one. Go to page 61 for instructions on how to replace the battery.



# 2 Installing and Replacing Desktop Board Components

---

This chapter tells you how to:

- Install the I/O shield
- Install and remove the Desktop Board
- Install and remove a processor
- Install and remove memory
- Install and remove a PCI Express x16 card
- Connect Serial ATA cables
- Connect to the internal headers
- Connect to the audio system
- Connect chassis fan and power supply cables
- Set the BIOS configuration jumper
- Clear passwords
- Clear CMOS Memory
- Replace the battery

## Before You Begin



### CAUTIONS

*The procedures in this chapter assume familiarity with the general terminology associated with personal computers and with the safety practices and regulatory compliance required for using and modifying electronic equipment.*

*Disconnect the computer from its power source and from any telecommunications links, networks, or modems before performing any of the procedures described in this chapter. Failure to disconnect power, telecommunications links, networks, or modems before you open the computer or perform any procedures can result in personal injury or equipment damage. Some circuitry on the board can continue to operate even though the front panel power button is off.*

Follow these guidelines before you begin:

- Always follow the steps in each procedure in the correct order.
- Set up a log to record information about your computer, such as model, serial numbers, installed options, and configuration information.
- Electrostatic discharge (ESD) can damage components. Perform the procedures described in this chapter only at an ESD workstation using an antistatic wrist strap and a conductive foam pad. If such a station is not available, you can provide some ESD protection by wearing an antistatic wrist strap and attaching it to a metal part of the computer chassis.

## Installation Precautions

When you install and test the Intel Desktop Board, observe all warnings and cautions in the installation instructions.

To avoid injury, be careful of:

- Sharp pins on connectors
- Sharp pins on printed circuit assemblies
- Rough edges and sharp corners on the chassis
- Hot components (such as processors, voltage regulators, and heat sinks)
- Damage to wires that could cause a short circuit

Observe all warnings and cautions that instruct you to refer computer servicing to qualified technical personnel.

## Prevent Power Supply Overload

Do not overload the power supply output. To avoid overloading the power supply, make sure that the calculated total current loads of all the modules within the computer is less than the output current rating of each of the power supplies output circuits plus enough headroom for desktop board power consumption.

## Observe Safety and Regulatory Requirements

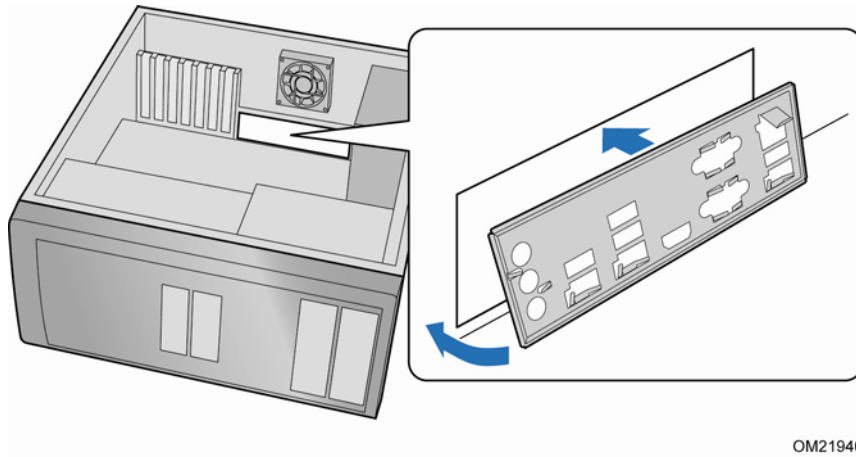
Read and follow the instructions in this section and the instructions supplied with the chassis and associated modules. If you do not follow these instructions and the instructions provided by the chassis and module suppliers, you increase your safety risk and the possibility of noncompliance with regional laws and regulations. If the instructions for the chassis are inconsistent with these instructions or the instructions for associated modules, contact the supplier to find out how you can ensure that your computer meets safety and regulatory requirements.

For information about the Desktop Board's regulatory compliance, refer to Appendix B.

## Installing the I/O Shield

The Desktop Board comes with an I/O shield. When installed in the chassis, the shield blocks radio frequency transmissions, protects internal components from dust and foreign objects, and promotes correct airflow within the chassis.

Install the I/O shield before installing the Desktop Board in the chassis. Place the shield inside the chassis as shown in Figure 5. Press the shield into place so that it fits tightly and securely. If the shield does not fit, obtain a properly sized shield from the chassis supplier.



**Figure 5. Installing the I/O Shield**

## Installing and Removing the Desktop Board

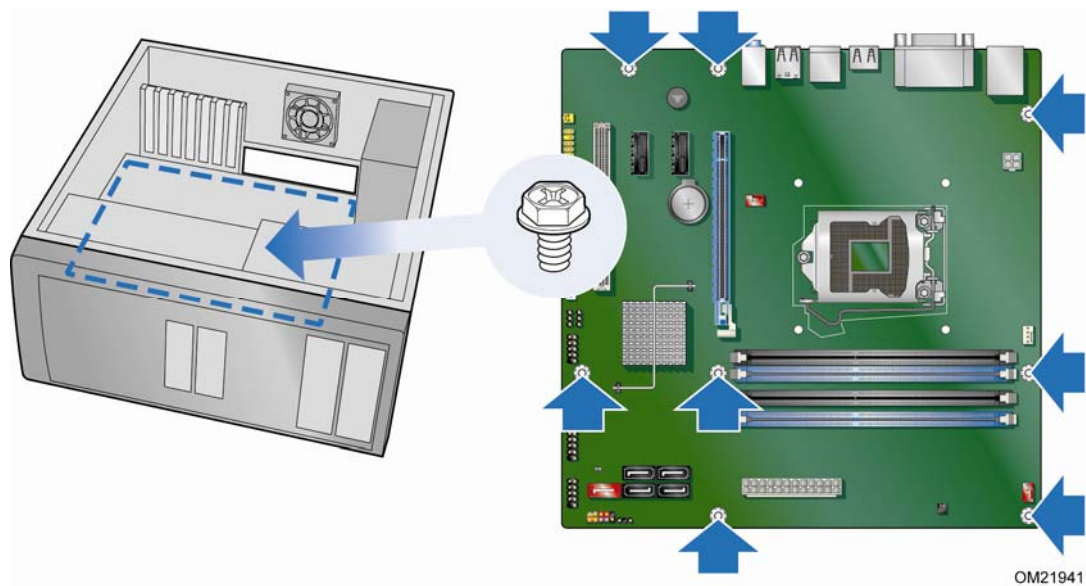


### CAUTION

Only qualified technical personnel should perform this procedure. Disconnect the computer from its power source before performing the procedures described here. Failure to disconnect the power before you open the computer can result in personal injury or equipment damage.

Refer to your chassis manual for instructions on installing and removing the Desktop Board.

Figure 6 shows the location of the mounting screw holes for Intel Desktop Board DQ57TM.



**Figure 6. Intel Desktop Board DQ57TM Mounting Screw Hole Locations**

## Installing and Removing a Processor

Instructions on how to install the processor on the Desktop Board are given below.

### Installing a Processor

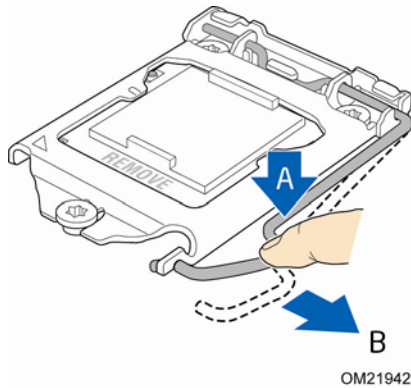


#### CAUTION

*Before installing or removing a processor, make sure the AC power has been removed by unplugging the power cord from the computer; the standby power LED should not be lit (see Figure 4 on page 30). Failure to do so could damage the processor and the board.*

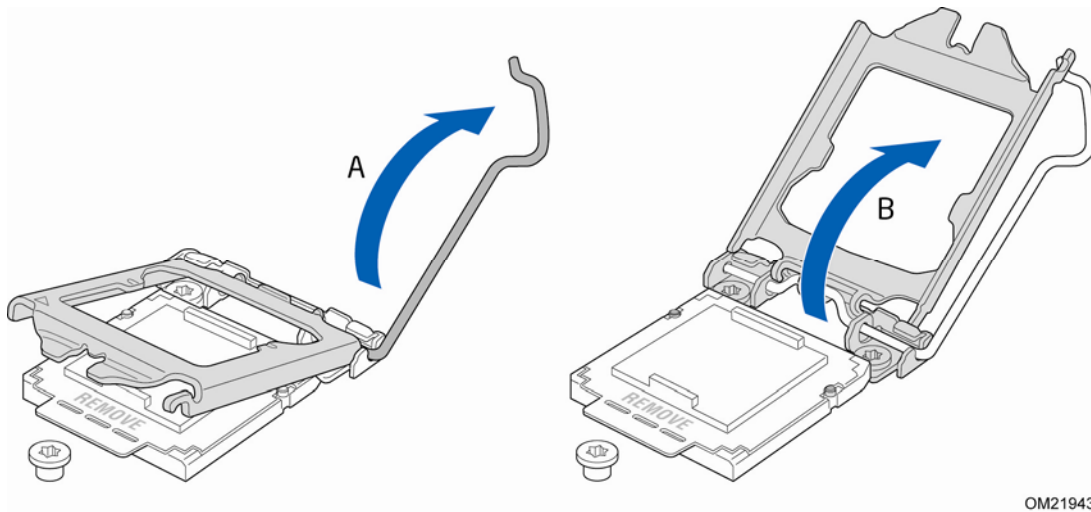
To install a processor, follow these instructions:

1. Observe the precautions in "Before You Begin" on page 33.
2. Unlatch the socket lever by pushing the lever down and away from the socket (Figure 7, A and B).



**Figure 7. Unlatch the Socket Lever**

3. Rotate the socket lever to lift the load plate away from the socket (Figure 8, A). Make sure that the load plate is in the fully open position (Figure 8, B) while being careful not to damage adjacent components.



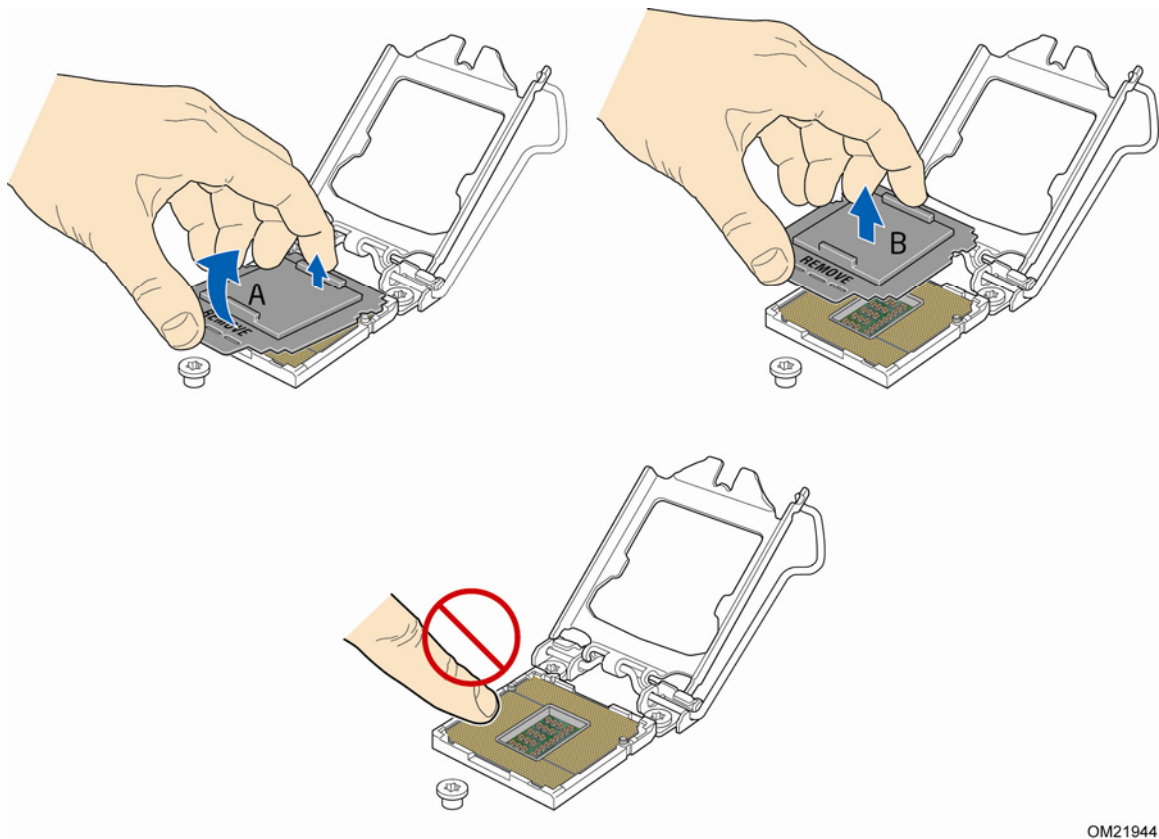
**Figure 8. Lift the Load Plate**

4. Remove the protective socket cover from the socket by placing your thumb against the front edge of the cover and resting your index finger on the rear grip (Figure 9, A). Lift the front edge of the socket to disengage the cover from the socket and lift the cover up and away from the socket (Figure 9, B). Do not touch the socket contacts.



### NOTE

*Do not discard the socket cover; save it for possible future use. Always replace the socket cover if you remove the processor from the socket.*



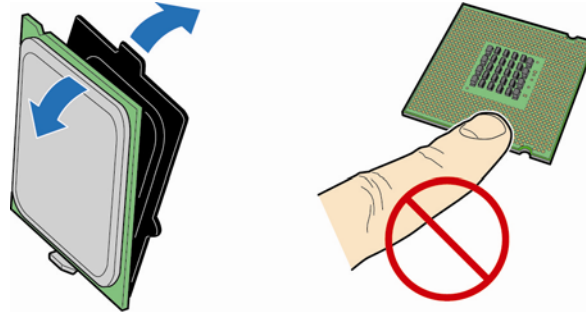
**Figure 9. Remove the Socket Cover**

5. Remove the processor from its protective cover. Hold the processor only at the edges, being careful not to touch the bottom of the processor (see Figure 10).



**NOTE**

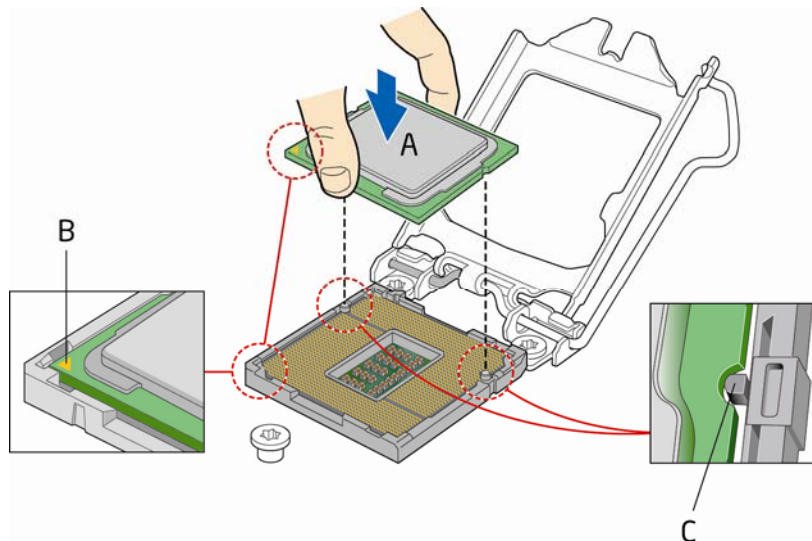
*Do not discard the processor cover. Always replace the processor cover if you remove the processor from the socket.*



OM21945

**Figure 10. Remove the Processor from the Protective Cover**

6. Hold the processor with your thumb and index finger oriented as shown in Figure 11 to align your fingers with the socket finger cutouts. Make sure that the processor Pin 1 indicator (gold triangle) is aligned with the Pin 1 chamfer on the socket (Figure 11, B) and that the notches on the processor align with the posts on the socket (Figure 11, C). Lower the processor straight down without tilting or sliding it in the socket (Figure 11, A).

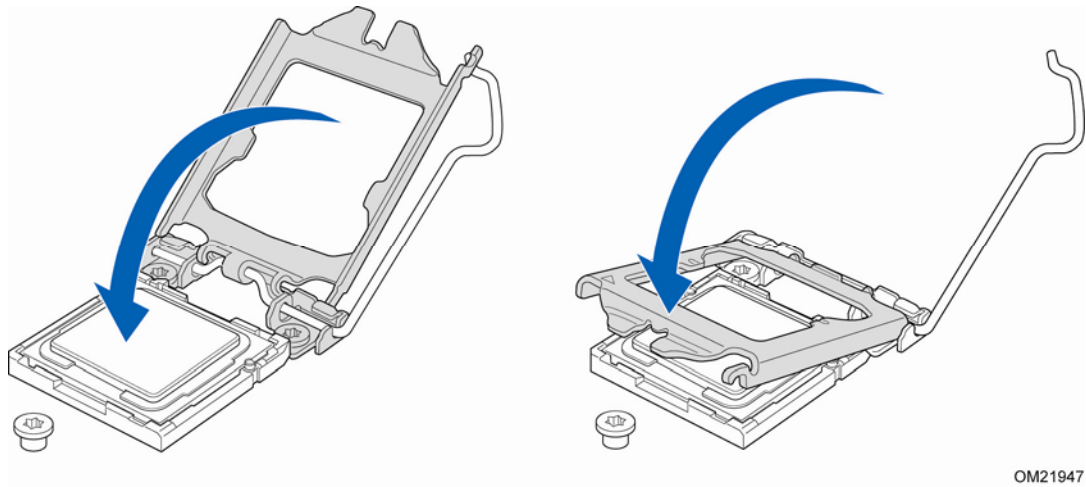


OM21946

**Figure 11. Install the Processor**

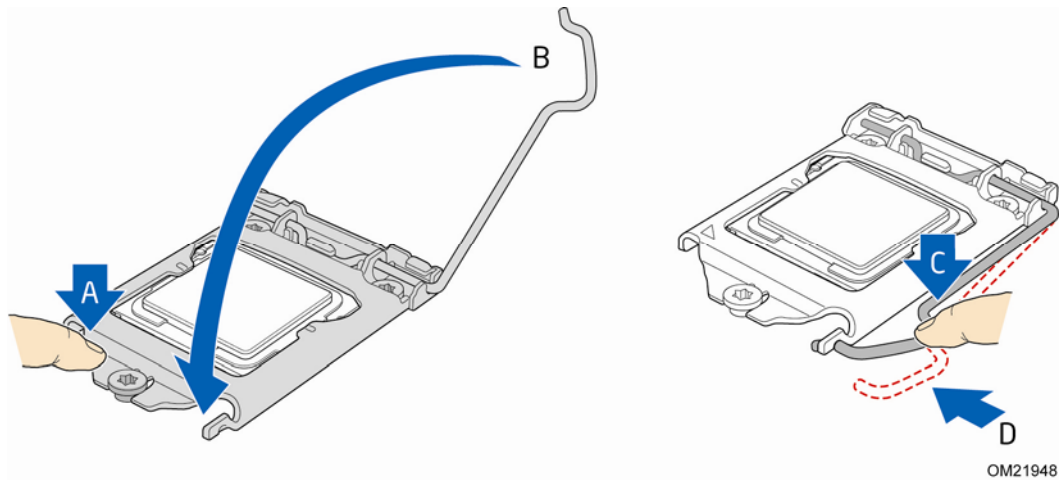


- Lower the load plate over the processor while leaving the socket lever in the open position (Figure 12).



**Figure 12. Lower the Load Plate**

- Lower the socket lever (Figure 13, B) while making sure that the front edge of the load plate slides under the shoulder screw cap as the lever is lowered (Figure 13, A). Latch the socket lever under the load plate tab (Figure 13, C, D).



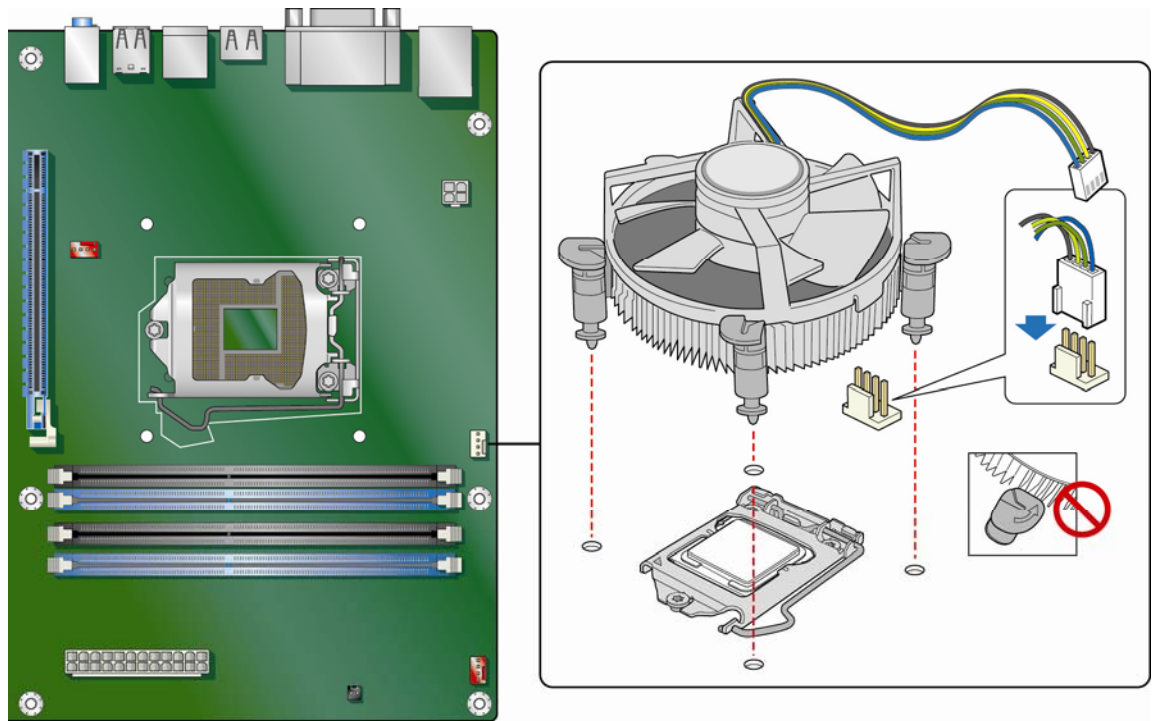
**Figure 13. Secure the Load Plate in Place**

## Installing a Processor Fan Heat Sink

Intel Desktop Board DQ57TM has mounting holes for a processor fan heat sink. For instructions on how to attach the processor fan heat sink to the Desktop Board, refer to the boxed processor manual or boxed thermal solution manual.

## Connecting the Processor Fan Heat Sink Cable

Connect the processor fan heat sink power cable to the 4-pin processor fan header (see Figure 13). A fan with a 4-pin connector as shown in Figure 13 is recommended.



OM21960

**Figure 14. Connecting the Processor Fan Heat Sink Power Cable to the Processor Fan Header**

## Removing the Processor

For instructions on how to remove the processor fan heat sink and processor, refer to the processor installation manual.

## Installing and Removing System Memory

Desktop board DQ57TM has four 240-pin DDR3 DIMM sockets arranged as DIMM 0 and DIMM 1 in both Channel A and Channel B.



### NOTE

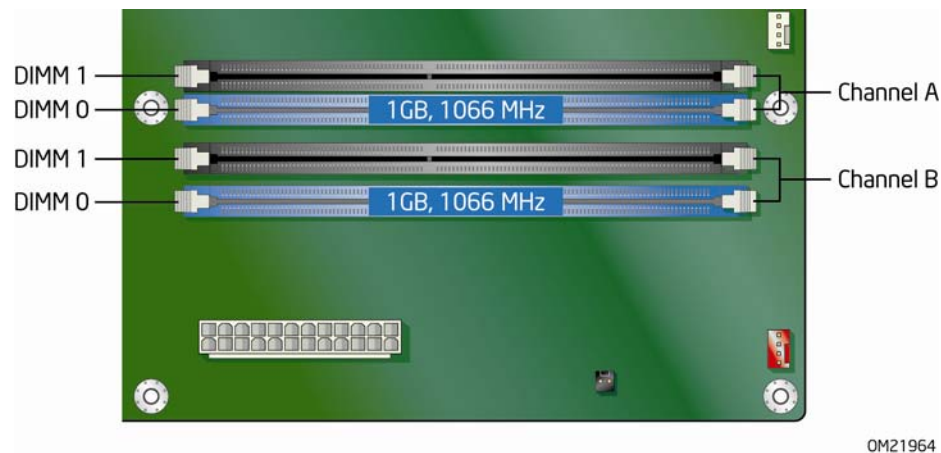
*A DIMM must be present in at least one of the DIMM 0 sockets when you are using only one or two DIMMs with a processor that does not support Intel Graphics Technology.*

## Guidelines for Dual Channel Memory Configuration

Before installing DIMMs, read and follow these guidelines for dual channel memory configuration.

### Two or Four DIMMs

Install a matched pair of DIMMs equal in speed and size (see Figure 15) in the DIMM 0 (blue) sockets of channels A and B.



**Figure 15. Example Dual Channel Memory Configuration with Two DIMMs**

If additional memory is to be used, install another matched pair of DIMMs in the DIMM 1 (black) sockets of channels A and B (see Figure 16).

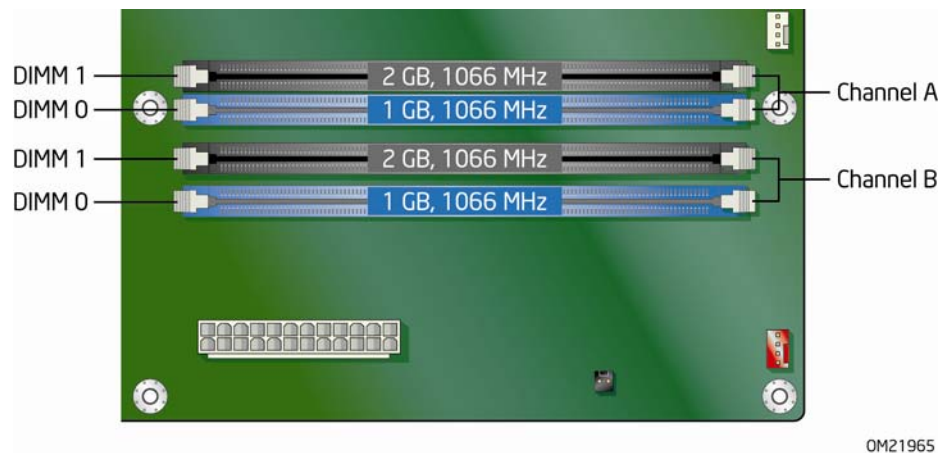


Figure 16. Example Dual Channel Memory Configuration with Four DIMMs

### Three DIMMs

If you want to use three DIMMs in a dual-channel configuration, install a matched pair of DIMMs equal in speed and size in the DIMM 0 (blue) socket of channel A and the DIMM 0 (blue) socket of channel B. Install the third DIMM in the DIMM 1 (black) socket of either channel A or channel B (see Figure 17).

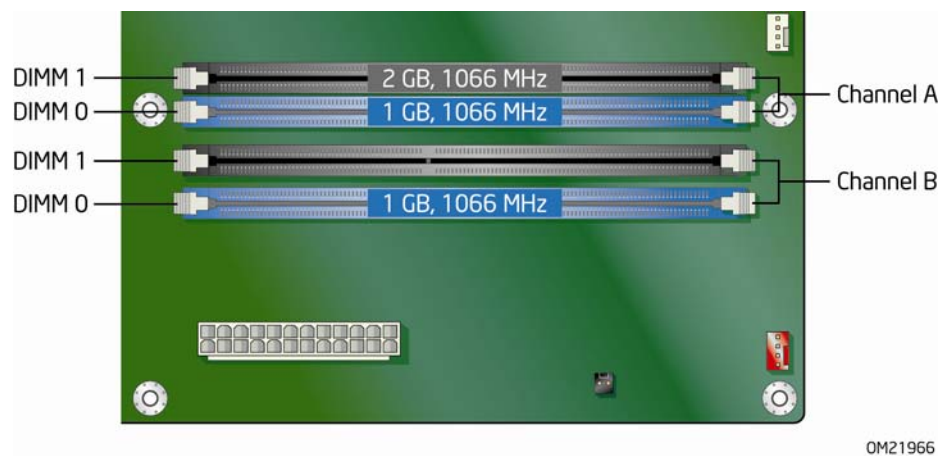


Figure 17. Example Dual Channel Memory Configuration with Three DIMMs



#### NOTE

*All other memory configurations will result in single channel memory operation.*

## Installing DIMMs

To make sure you have the correct DIMM, place it on the illustration of the DDR3 DIMM in Figure 18. All the notches should match with the DDR3 DIMM.

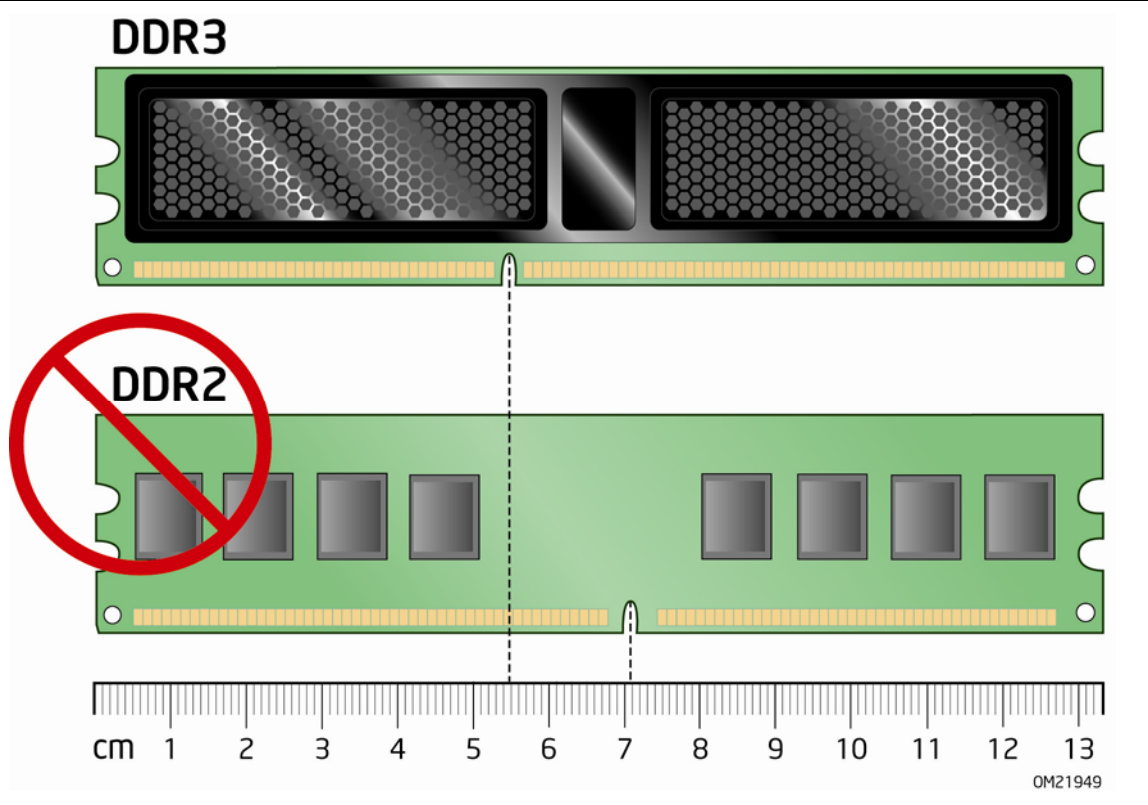
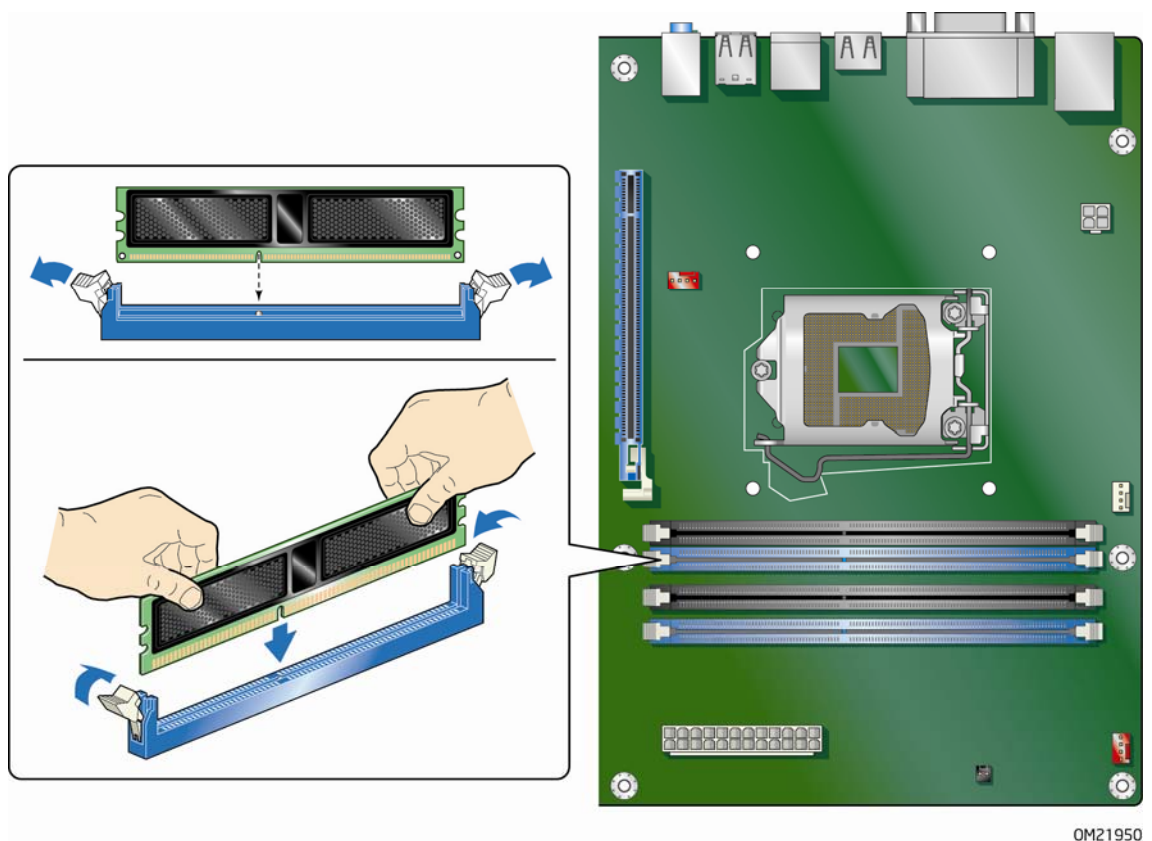


Figure 18. Use DDR3 DIMMs

To install a DIMM, follow these steps:

1. Observe the precautions in "Before You Begin" on page 33.
2. Turn off all peripheral devices connected to the computer. Turn off the computer and disconnect the AC power cord.
3. Remove the computer's cover and locate the DIMM sockets (see Figure 19).
4. If a full length PCI Express graphics card is installed in the PCI Express x16 connector, remove the card to gain full access to the DIMM sockets.



**Figure 19. Installing a DIMM**

5. Make sure the clips at either end of the DIMM socket(s) are pushed outward to the open position.
6. Holding the DIMM by the edges, remove it from its anti-static package.
7. Position the DIMM above the socket. Align the small notch at the bottom edge of the DIMM with the keys in the socket (see inset in Figure 19).
8. Insert the bottom edge of the DIMM into the socket.
9. When the DIMM is inserted, push down on the top edge of the DIMM until the retaining clips snap into place. Make sure the clips are firmly in place.
10. Reinstall the PCI Express graphics card if one was removed in Step 4.
11. Replace the computer's cover and reconnect the AC power cord.

## Removing DIMMs

To remove a DIMM, follow these steps:

1. Observe the precautions in "Before You Begin" on page 33.
2. Turn off all peripheral devices connected to the computer. Turn off the computer.
3. Remove the AC power cord from the computer.
4. Remove the computer's cover.
5. If a full length PCI Express graphics card is installed in the PCI Express x16 connector, remove the card to gain access to the DIMMs.
6. Gently spread the retaining clips at each end of the DIMM socket. The DIMM pops out of the socket.
7. Hold the DIMM by the edges, lift it away from the socket, and store it in an anti-static package.
8. Reinstall the PCI Express graphics card if one was removed in Step 5 and reconnect any other parts you removed or disconnected to reach the DIMMs.
9. Replace the computer's cover and reconnect the AC power cord.

## Installing and Removing PCI Express x16 Graphics Cards

### Installing a PCI Express x16 Graphics Card



#### CAUTION

*Before installing a PCI Express x16 graphics card, make sure that the tabs on the DIMM sockets are in the upright position (closed); otherwise, they may be damaged by the PCI Express card during installation.*

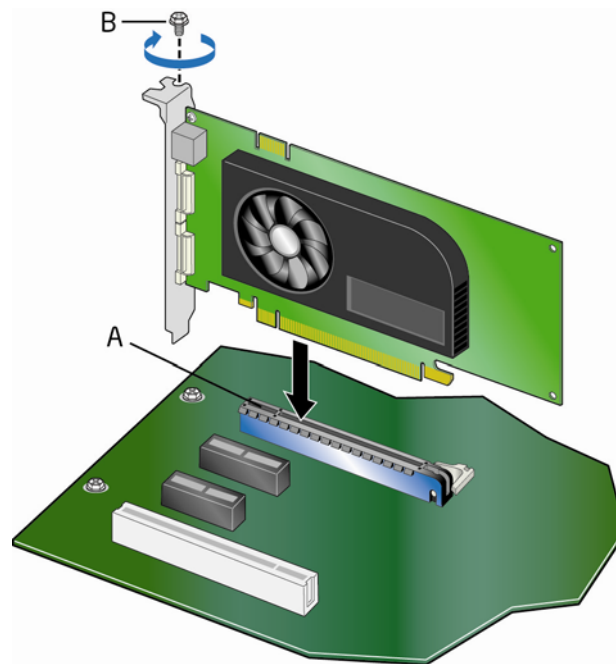


#### CAUTION

*When installing a PCI Express card, ensure that the card is fully seated in the PCI Express connector before you power on the system. If the card is not fully seated in the connector, an electrical short may result across the connector pins. Depending on the over-current protection of the power supply, certain Desktop Board components and/or traces may be damaged.*

Follow these instructions to install a PCI Express x16 graphics card:

1. Observe the precautions in "Before You Begin" on page 33.
2. Place the card in the PCI Express x16 connector (Figure 20, A) and press down on the card until it is completely seated in the connector and the card retention notch on the card snaps into place around the retention mechanism pin on the connector.
3. Secure the card's metal bracket to the chassis back panel with a screw (Figure 20, B).
4. Connect a monitor to the graphics card according to the manufacturer's instructions.



0M21951

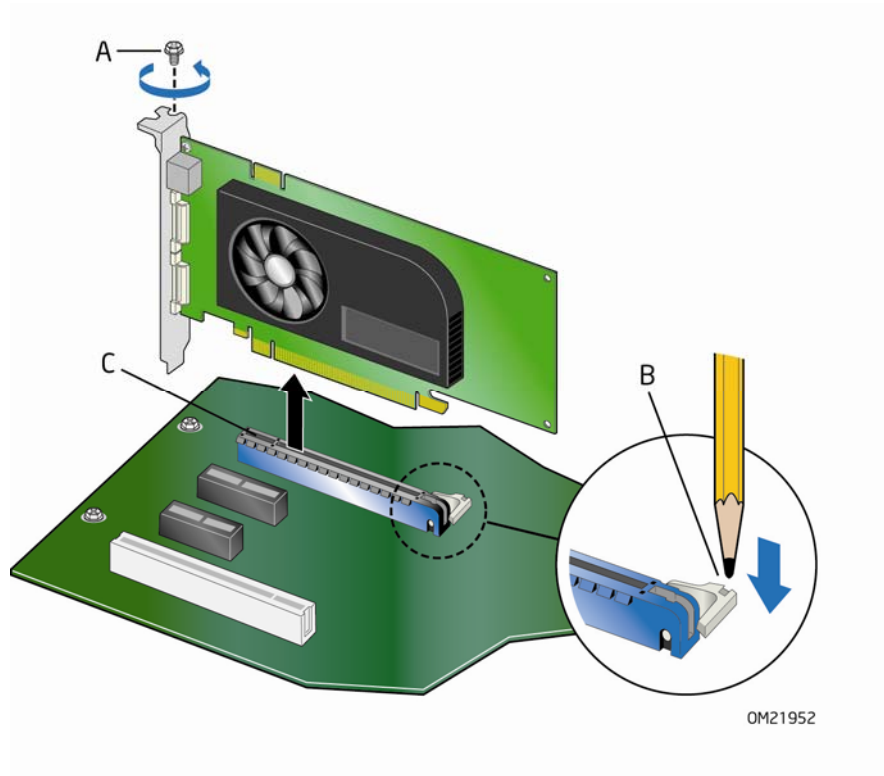
**Figure 20. Installing a PCI Express x16 Graphics Card**



## Removing a PCI Express x16 Graphics Card

Follow these instructions to remove a PCI Express x16 graphics card from a connector:

1. Observe the precautions in "Before You Begin" on page 33.
2. Disconnect the monitor cable from the graphics card back panel connector.
3. Remove the screw (Figure 21, A) that secures the card's metal bracket to the chassis back panel.
4. Push the card ejector lever down using the tip of a pencil or similar tool (Figure 21, B) in the notch. This will release the card from the connector (C).
5. Pull the card straight up to remove it.

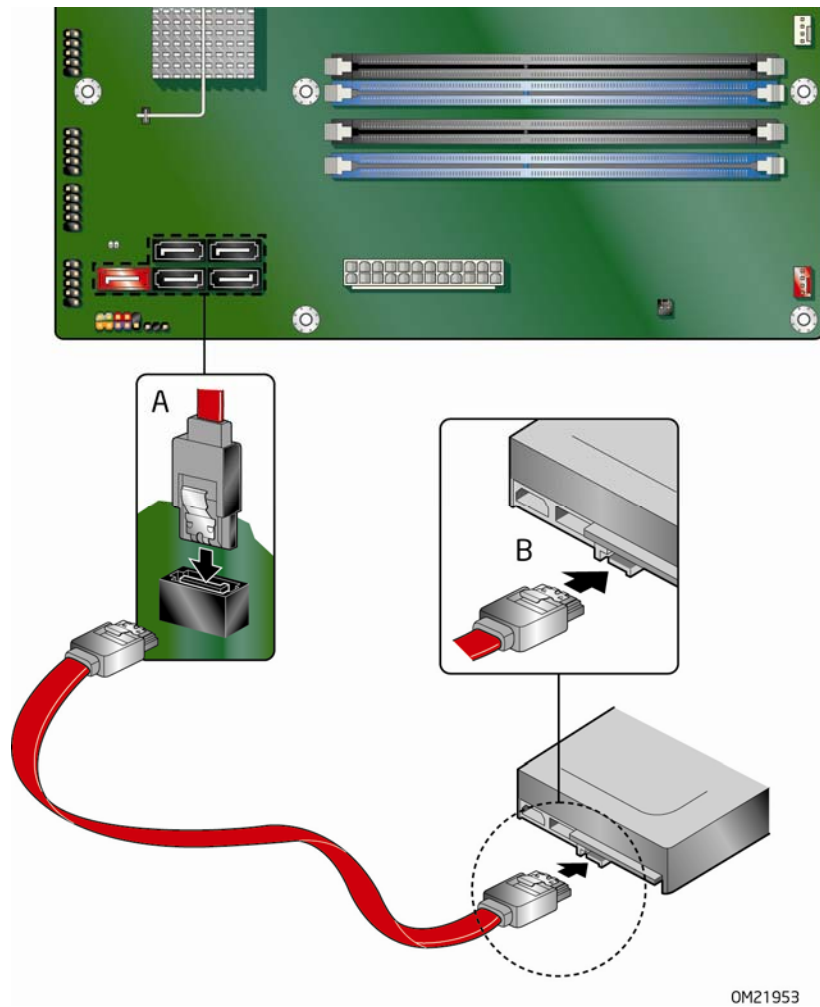


**Figure 21. Removing a PCI Express x16 Graphics Card**

## Connecting Serial ATA (SATA) Cables

SATA cables support the Serial ATA protocol. Each cable can be used to connect one internal SATA drive to the Desktop Board. For correct cable function:

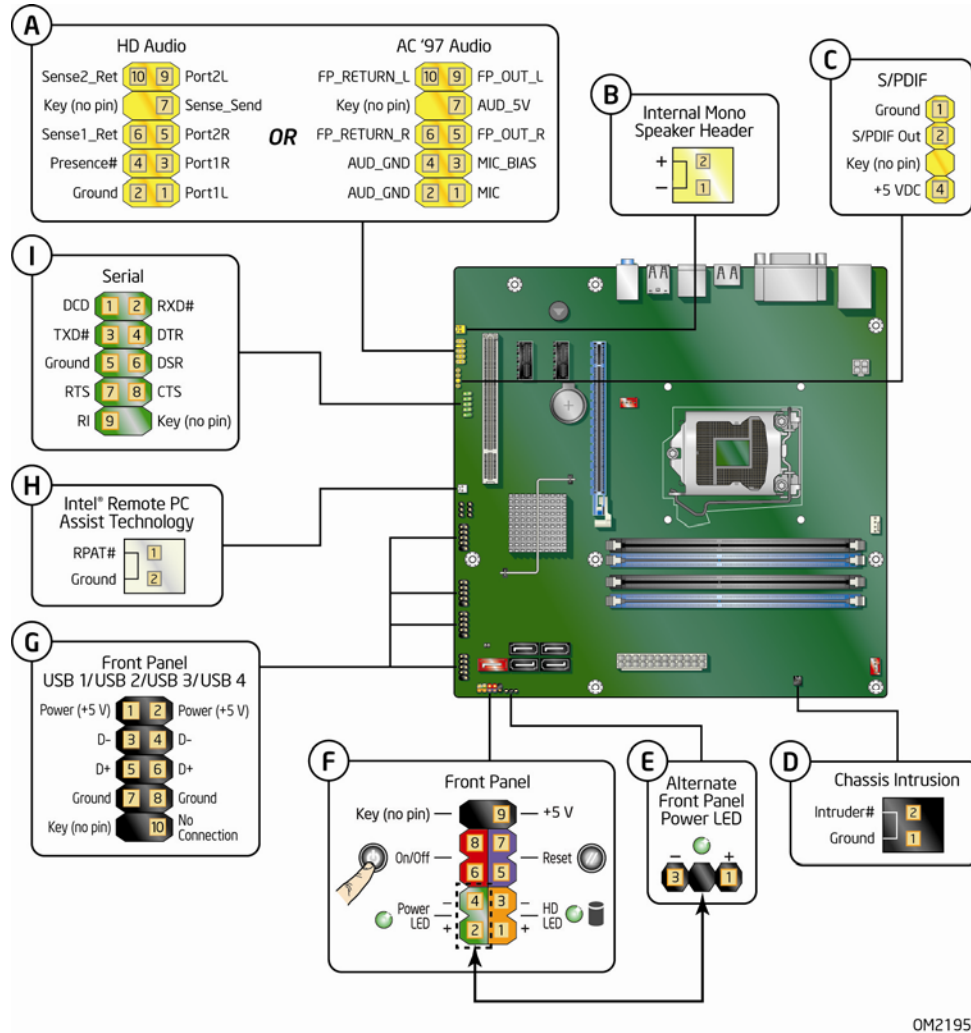
1. Observe the precautions in "Before You Begin" on page 33.
2. Attach one end of the SATA cable to one of the SATA connectors on the board (Figure 22, A) and attach the other end of the cable to the SATA drive (Figure 22, B).



**Figure 22. Connecting a Serial ATA Cable**

## Connecting to the Internal Headers

Before connecting cables to any of the internal headers, observe the precautions in "Before You Begin" on page 33. Figure 23 shows the location of the internal headers and connectors on Intel Desktop Board DQ57TM.



OM21954

Figure 23. Internal Headers

## Front Panel Audio Header

The front panel audio header shown in Figure 23, A supports both Intel High Definition Audio and AC '97 Audio.

Table 6 shows the pin assignments and signal names for HD Audio and Table 7 shows the pin assignments and signal names for AC '97 Audio.

**Table 6. Front Panel Audio Signal Names for Intel HD Audio**

Pin	Signal Name	Pin	Signal Name
1	PORT 1L (Microphone)	2	GND
3	PORT 1R (Microphone)	4	PRESENCE#
5	PORT 2R (Headphone)	6	SENSE1_RETURN
7	SENSE_SEND	8	KEY (no pin)
9	PORT 2L (Headphone)	10	SENSE2_RETURN

**Table 7. Front Panel Audio Header Signal Names for AC '97 Audio**

Pin	Signal Name	Pin	Signal Name
1	MIC	2	AUD_GND
3	MIC_BIAS	4	AUD_GND
5	FP_OUT_R	6	FP_RETURN_R
7	AUD_5V	8	KEY (no pin)
9	FP_OUT_L	10	FP_RETURN_L

## Internal Mono Speaker Header

The internal mono speaker header is shown in Figure 23, B. Table 8 shows the pin assignments and signal names for the internal mono speaker header.

**Table 8. Internal Mono Speaker Header**

Pin	Signal Name
1	-
2	+

## S/PDIF Header

Figure 23, C shows the location of the S/PDIF output header. Table 9 shows the pin assignments and signal names for the S/PDIF output header.

**Table 9. S/PDIF Header Signal Names**

Pin	Description
1	Ground
2	S/PDIF Out
3	Key (no pin)
4	+5 VDC

## Chassis Intrusion Header

Figure 23, D shows the location of the chassis intrusion header. This header can be connected to a mechanical switch on the chassis to detect if the chassis cover is removed. This switch should be in the open position when the chassis cover is installed and closed when the cover is removed.

Table 10 shows the pin assignments and signal names for the chassis intrusion header.

**Table 10. Chassis Intrusion Header Signal Names**

Pin	Description
1	Intruder#
2	Ground

## Alternate Front Panel Power LED Header

Figure 23, E shows the location of the alternate front panel power LED header. Pins 1 and 3 of this header duplicate the signals on pins 2 and 4 of the front panel header. If your chassis has a three-pin power LED cable, connect it to this header. Table 11 shows the pin assignments for the alternate front panel header.

**Table 11. Alternate Front Panel Power LED Header Signal Names**

Pin	Signal Name	In/Out
1	Front panel LED+	Out
2	No pin	
3	Front panel LED-	Out

## Front Panel Header

Figure 23, F shows the location of the front panel header. Table 12 shows the pin assignments and signal names for the front panel header.

**Table 12. Front Panel Header Signal Names**

Pin	Description	In/Out	Pin	Description	In/Out
<b>Hard Disk Drive Activity LED</b>			<b>Power LED</b>		
1	Hard disk LED pull-up to +5 V	Out	2	Front panel LED+	Out
3	Hard disk active LED	Out	4	Front panel LED-	Out
<b>Reset Switch</b>			<b>On/Off Switch</b>		
5	Ground		6	Power switch	In
7	Reset switch	In	8	Ground	
<b>Power</b>			<b>Not Connected</b>		
9	Power	Out	10	No pin	



### NOTE

When connecting individual wires from your chassis front panel to the front panel header, be sure to observe the connection polarity. Positive wires are usually solid color and negative wires are usually white or striped.

## Front Panel USB 2.0 Headers

Figure 23, G shows the location of the front panel USB 2.0 headers and Table 13 shows the pin assignments and signal names.

**Table 13. USB 2.0 Headers Signal Names**

Pin	Signal Name	Pin	Signal Name
1	Power (+5 V)	2	Power (+5 V)
3	D-	4	D-
5	D+	6	D+
7	Ground	8	Ground
9	Key	10	No Connection



### NOTE

Computer systems that have an unshielded cable attached to a USB port might not meet FCC Class B requirements, even if no device or a low-speed USB device is attached to the cable. Use a shielded cable that meets the requirements for a full-speed USB device.

## Intel RPAT Header

Figure 23, H shows the location of the Intel RPAT header. Table 14 shows the pin assignments and signal names for the Intel RPAT header.

**Table 14. Intel RPAT Header Signal Names**

Pin	Description
1	RPAT#
2	Ground

## Serial Header

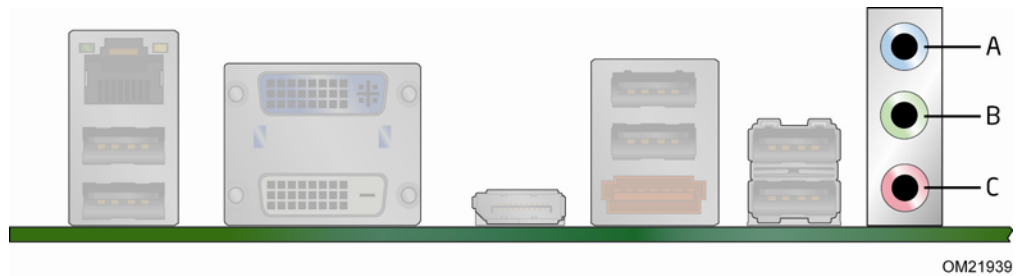
Figure 23, I shows the location of the serial header. Table 15 shows the pin assignments and signal names for the serial header.

**Table 15. Serial Port Header**

Pin	Signal Name	Pin	Signal Name
1	DCD (Data Carrier Detect)	2	RXD# (Receive Data)
3	TXD# (Transmit Data)	4	DTR (Data Terminal Ready)
5	Ground	6	DSR (Data Set Ready)
7	RTS (Request To Send)	8	CTS (Clear To Send)
9	RI (Ring Indicator)	10	Key (no pin)

## Connecting to the Audio System

After installing the Realtek audio driver from the Intel® Express Installer DVD-ROM, the multi-channel audio feature can be enabled. Figure 24 shows the back panel audio connectors. The default connector assignments are shown in the table.



Item	Description
A	Line in
B	Line out (front speaker/headphones)
C	Mic in

**Figure 24. Back Panel Audio Connectors**



### NOTE

*The back panel line out connector is designed to power either headphones or amplified speakers only. Poor audio quality may occur if passive (non-amplified) speakers are connected to this output.*



## Connecting Chassis Fan and Power Supply Cables

### Connecting Chassis Fan Cables

Connect chassis fan cables to the chassis fan headers on the Desktop Board. Figure 25 shows the location of the chassis fan headers.

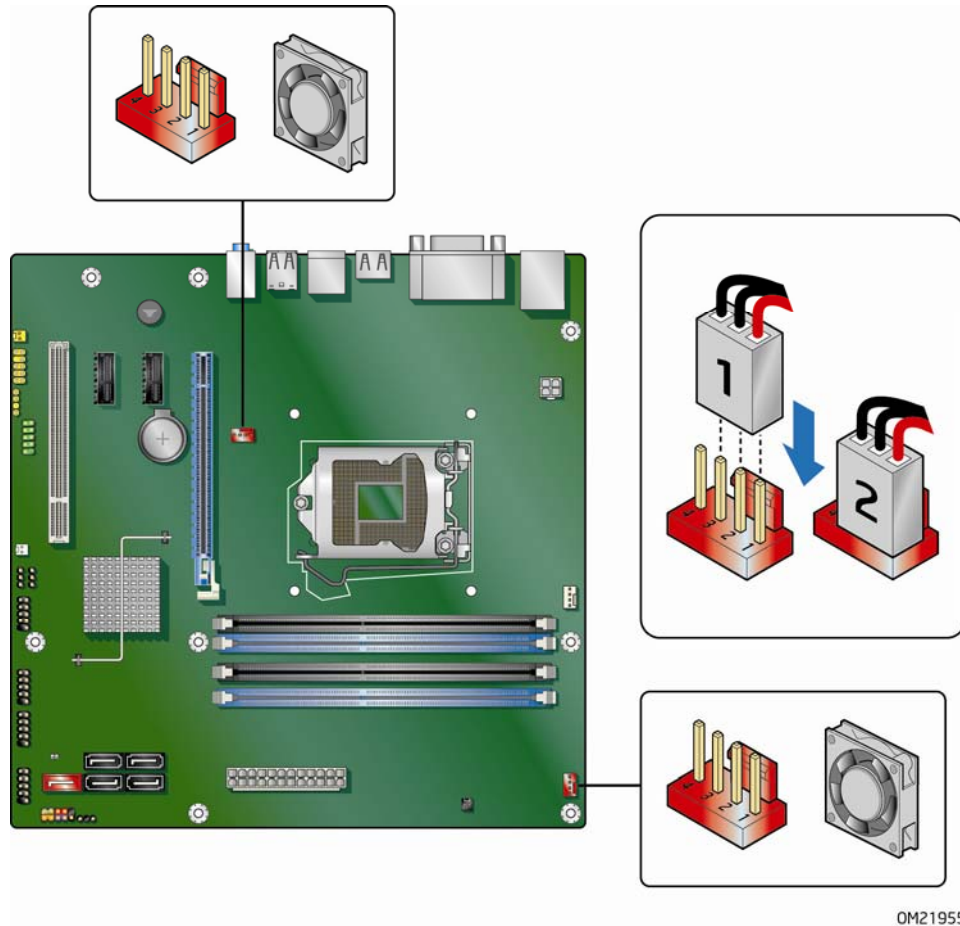


Figure 25. Location of the Chassis Fan Headers

## Connecting Power Supply Cables



### CAUTION

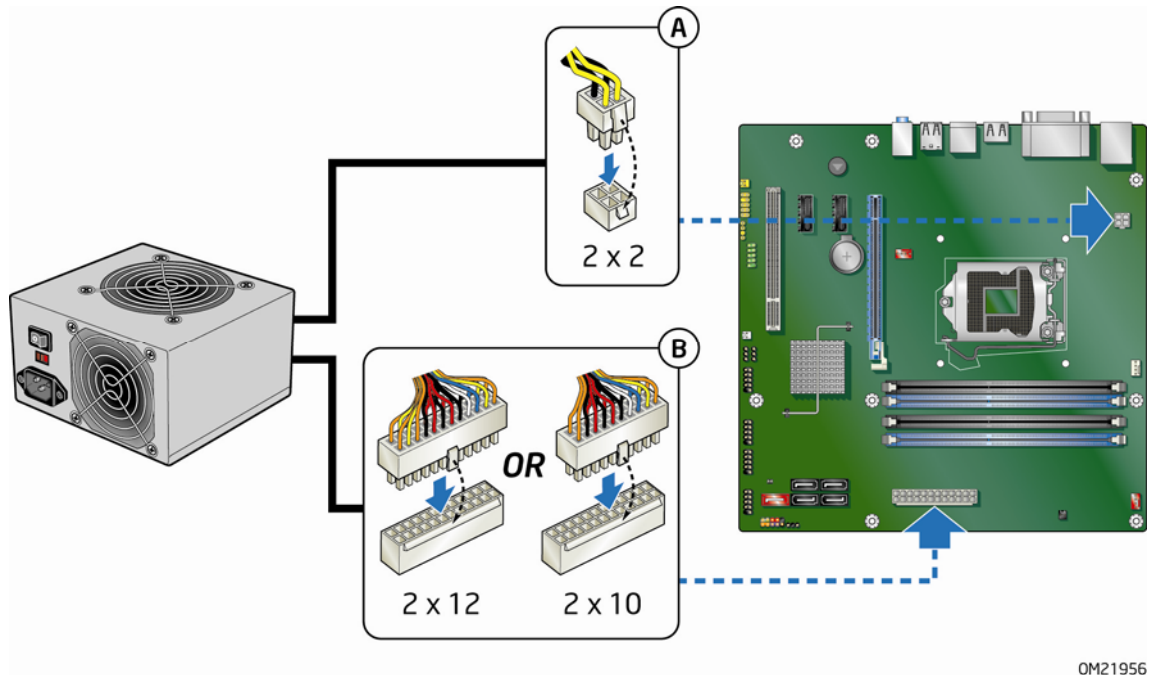
Failure to use an appropriate power supply and/or not connecting the 12 V power connector (Figure 26, A) to the Desktop Board may result in damage to the board or the system may not function properly.

Figure 26 shows the location of the power connectors. The 2 x 12 pin main power connector (Figure 26, B) is backwards compatible with ATX12V power supplies with 2 x 10 connectors.



### NOTE

If your power supply has a 2 x 10 main power connector, it is recommended that you do not install a PCI Express x16 graphics card unless it has a direct connection to the power supply.



**Figure 26. Connecting Power Supply Cables**

1. Observe the precautions in "Before You Begin" on page 33.
2. Connect the 12 V processor core voltage power supply cable to the 2 x 2 pin connector (Figure 26, A).
3. Connect the main power supply cable to the 2 x 12 pin connector (Figure 26, B).

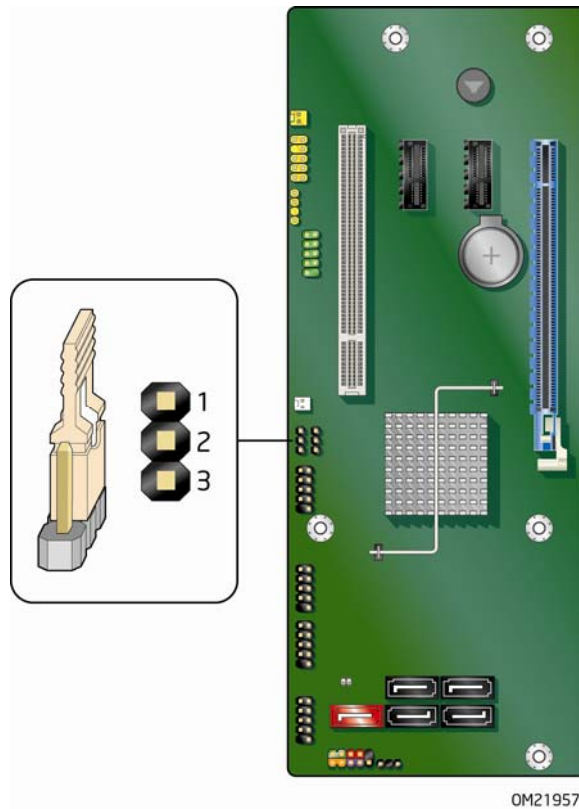
## Setting the BIOS Configuration Jumper



### NOTE

Always turn off the power and unplug the power cord from the computer before moving the jumper. Moving the jumper with the power on may result in unreliable computer operation.

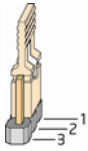
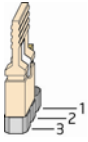
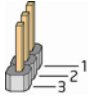
Figure 27 shows the location of the Desktop Board's BIOS configuration jumper block.



**Figure 27. Location of the BIOS Configuration Jumper Block**

The three-pin BIOS jumper block enables board configuration to be done in the BIOS Setup program. Table 16 shows the jumper settings for the BIOS Setup program modes.

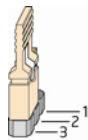
**Table 16. Jumper Settings for the BIOS Setup Program Modes**

Jumper Setting	Mode	Description
	Normal (default) (1-2)	The BIOS uses the current configuration and passwords for booting.
	Configure (2-3)	After the Power-On Self-Test (POST) runs, the BIOS displays the Maintenance Menu. Use this menu to clear passwords.
	Recovery (None)	The BIOS recovers data in the event of a failed BIOS update.

## Clearing Passwords in the BIOS Setup Program

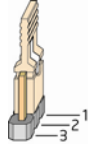
This procedure assumes that the board is installed in the computer and the configuration jumper block is set to normal mode.

1. Observe the precautions in "Before You Begin" on page 33.
2. Turn off all peripheral devices connected to the computer. Turn off the computer. Disconnect the computer's power cord from the AC power source (wall outlet or power adapter).
3. Remove the computer cover.
4. Find the configuration jumper block (see Figure 27).
5. Place the jumper on pins 2-3 as shown below.



6. Replace the cover, plug in the computer, turn on the computer, and allow it to boot.
7. The computer starts the Setup program. Setup displays the Maintenance menu.
8. Use the arrow keys to select Clear Passwords. Press <Enter> and Setup displays a pop-up screen requesting that you confirm clearing the password. Select Yes and press <Enter>. Setup displays the maintenance menu again.
9. Press <F10> to save the current values and exit Setup.

10. Turn off the computer. Disconnect the computer's power cord from the AC power source.
11. Remove the computer cover.
12. To restore normal operation, place the jumper on pins 1-2 as shown below.



13. Replace the cover, plug in the computer, and turn on the computer.

## Clearing CMOS Memory



### CAUTION

*Initiating a CMOS clear while the board is powered on or in standby mode may damage the board.*

The Desktop Board provides a Clear CMOS jumper block that can be used to clear its CMOS memory. Figure 28 shows the location of the jumper block; Table 17 shows the jumper settings. To clear CMOS memory:

1. Observe the precautions in "Before You Begin" on page 33.
2. Turn off all peripheral devices connected to the computer. Turn off the computer.
3. Remove the computer cover.
4. Find the Clear CMOS jumper block (see Figure 28).
5. To clear the CMOS memory, place a jumper (not included) on pins 1 and 2 for at least 2 seconds.
6. Remove the jumper and reassemble the computer.
7. Turn on the computer, allow it to boot and then enter BIOS Setup or turn off the computer when the splash screen appears. The CMOS settings are returned to factory defaults.

**Table 17. Clear CMOS Jumper Settings**

Jumper	Mode	Description
1-2	Clear	The CMOS memory is erased at the next system boot and returned to factory defaults.
2-3	N/A	N/A
None	Normal	The BIOS uses the current contents of the CMOS memory.

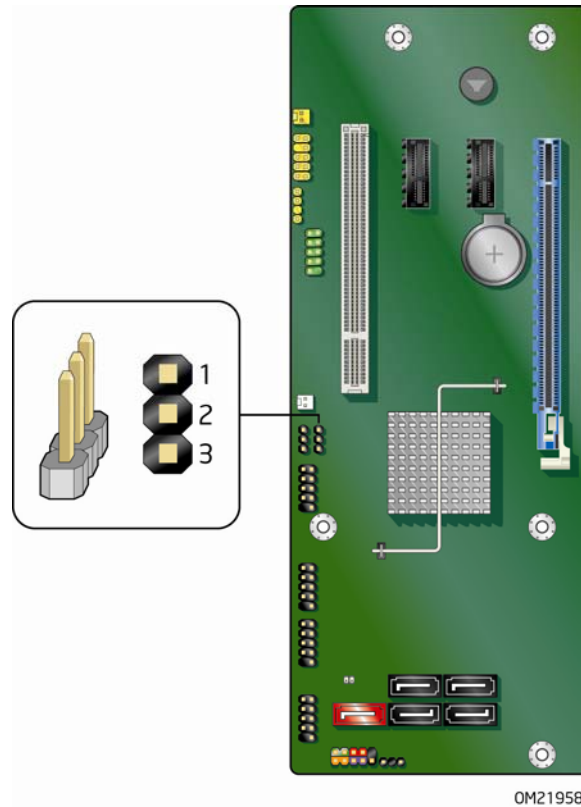


Figure 28. Location of the Clear CMOS Memory Jumper Block

## Replacing the Battery

A coin-cell battery (CR2032) powers the real-time clock and CMOS memory. When the computer is not plugged into a wall socket, the battery has an estimated life of three years. When the computer is plugged in, the standby current from the power supply extends the life of the battery. The clock is accurate to  $\pm 13$  minutes/year at 25 °C with 3.3 VSB applied.

When the voltage drops below a certain level, the BIOS Setup program settings stored in CMOS RAM (for example, the date and time) might not be accurate. Replace the battery with an equivalent one. Figure 29 on page 67 shows the location of the battery.



### CAUTION

*Risk of explosion if the battery is replaced with an incorrect type. Batteries should be recycled where possible. Disposal of used batteries must be in accordance with local environmental regulations.*



### **PRÉCAUTION**

*Risque d'explosion si la pile usagée est remplacée par une pile de type incorrect. Les piles usagées doivent être recyclées dans la mesure du possible. La mise au rebut des piles usagées doit respecter les réglementations locales en vigueur en matière de protection de l'environnement.*



### **FORHOLDSREGEL**

*Eksplosionsfare, hvis batteriet erstattes med et batteri af en forkert type. Batterier bør om muligt genbruges. Bortskaffelse af brugte batterier bør foregå i overensstemmelse med gældende miljølovgivning.*



### **OBS!**

*Det kan oppstå eksplosjonsfare hvis batteriet skiftes ut med feil type. Brukte batterier bør kastes i henhold til gjeldende miljølovgivning.*



### **VIKTIGT!**

*Risk för explosion om batteriet ersätts med felaktig batterityp. Batterier ska kasseras enligt de lokala miljövårdsbestämmelserna.*



### **VARO**

*Räjähdyksvaara, jos pariston tyyppi on väärä. Paristot on kierrätettävä, jos se on mahdollista. Käytetyt paristot on hävitettävä paikallisten ympäristömääräysten mukaisesti.*



### **VORSICHT**

*Bei falschem Einsetzen einer neuen Batterie besteht Explosionsgefahr. Die Batterie darf nur durch denselben oder einen entsprechenden, vom Hersteller empfohlenen Batterietyp ersetzt werden. Entsorgen Sie verbrauchte Batterien den Anweisungen des Herstellers entsprechend.*



### **AVVERTIMENTO**

*Esiste il pericolo di un esplosione se la pila non viene sostituita in modo corretto. Utilizzare solo pile uguali o di tipo equivalente a quelle consigliate dal produttore. Per disfarsi delle pile usate, seguire le istruzioni del produttore.*



### **PRECAUCIÓN**

*Existe peligro de explosión si la pila no se cambia de forma adecuada. Utilice solamente pilas iguales o del mismo tipo que las recomendadas por el fabricante del equipo. Para deshacerse de las pilas usadas, siga igualmente las instrucciones del fabricante.*



### **WAARSCHUWING**

*Er bestaat ontploffingsgevaar als de batterij wordt vervangen door een onjuist type batterij. Batterijen moeten zoveel mogelijk worden gerecycled. Houd u bij het weggoeien van gebruikte batterijen aan de plaatselijke milieuwetgeving.*



### **ATENÇÃO**

*Haverá risco de explosão se a bateria for substituída por um tipo de bateria incorreto. As baterias devem ser recicladas nos locais apropriados. A eliminação de baterias usadas deve ser feita de acordo com as regulamentações ambientais da região.*



### **AŠCIAROŽŇNAŠĆ**

*Існуе рызыка выбуху, калі заменены акумулятар неправільнага тыпу. Акумулятары павінны, па магчымасці, перепрацоўвацца. Пазбаўляцца ад старых акумулятараў патрэбна згодна з мясцовым заканадаўствам па экалогіі.*



### **UPOZORNĚNÍ**

*V případě výměny baterie za nesprávný druh může dojít k výbuchu. Je-li to možné, baterie by měly být recyklovány. Baterie je třeba zlikvidovat v souladu s místními předpisy o životním prostředí.*



### **Προσοχή**

*Υπάρχει κίνδυνος για έκρηξη σε περίπτωση που η μπαταρία αντικατασταθεί από μία λανθασμένου τύπου. Οι μπαταρίες θα πρέπει να ανακυκλώνονται όταν κάτι τέτοιο είναι δυνατό. Η απόρριψη των χρησιμοποιημένων μπαταριών πρέπει να γίνεται σύμφωνα με τους κατά τόπο περιβαλλοντικούς κανονισμούς.*



### **VIGYÁZAT**

*Ha a telepet nem a megfelelő típusú telepre cseréli, az felrobbanhat. A telepeket lehetőség szerint újra kell hasznosítani. A használt telepeket a helyi környezetvédelmi előírásoknak megfelelően kell kiselejtezni.*



### **注意**

異なる種類の電池を使用すると、爆発の危険があります。リサイクルが可能な地域であれば、電池をリサイクルしてください。使用後の電池を破棄する際には、地域の環境規制に従ってください。



### **AWAS**

*Risiko letupan wujud jika bateri digantikan dengan jenis yang tidak betul. Bateri sepatutnya dikitar semula jika boleh. Pelupusan bateri terpakai mestilah mematuhi peraturan alam sekitar tempatan.*



### **OSTRZEŻENIE**

*Istnieje niebezpieczeństwo wybuchu w przypadku zastosowania niewłaściwego typu baterii. Zużyte baterie należy w miarę możliwości utylizować zgodnie z odpowiednimi przepisami ochrony środowiska.*





### PRECAUȚIE

*Risc de explozie, dacă bateria este înlocuită cu un tip de baterie necorespunzător. Bateriile trebuie reciclate, dacă este posibil. Depozitarea bateriilor uzate trebuie să respecte reglementările locale privind protecția mediului.*



### ВНИМАНИЕ

*При использовании батареи несоответствующего типа существует риск ее взрыва. Батареи должны быть утилизированы по возможности. Утилизация батарей должна проводиться по правилам, соответствующим местным требованиям.*



### UPOZORNENIE

*Ak batériu vymeníte za nesprávny typ, hrozí nebezpečenstvo jej výbuchu. Batérie by sa mali podľa možnosti vždy recyklovať. Likvidácia použitých batérií sa musí vykonávať v súlade s miestnymi predpismi na ochranu životného prostredia.*



### POZOR

*Zamenjava baterije z baterijo drugačnega tipa lahko povzroči eksplozijo. Če je mogoče, baterije reciklirajte. Rabljene baterije zavrzite v skladu z lokalnimi okoljevarstvenimi predpisi.*



### คำเตือน

*ระวังการระเบิดที่เกิดจากเปลี่ยนแบตเตอรี่ผิดประเภท หากเป็นไปได้ ควรนำแบตเตอรี่ไปรีไซเคิล การทิ้งแบตเตอรี่ใช้แล้วต้องเป็นไปตามกฎข้อบังคับด้านสิ่งแวดล้อมของท้องถิ่น.*



### UYARI

*Yanlış türde pil takıldığında patlama riski vardır. Piller mümkün olduğunda geri dönüştürülmelidir. Kullanılmış piller, yerel çevre yasalarına uygun olarak atılmalıdır.*



### ОСТОРОГА

*Використовуйте батареї правильного типу, інакше існуватиме ризик вибуху. Якщо можливо, використані батареї слід утилізувати. Утилізація використаних батарей має бути виконана згідно місцевих норм, що регулюють охорону довкілля.*



### UPOZORNĚNÍ

*V případě výměny baterie za nesprávný druh může dojít k výbuchu. Je-li to možné, baterie by měly být recyklovány. Baterie je třeba zlikvidovat v souladu s místními předpisy o životním prostředí.*



### ETTEVAATUST

*Kui patarei asendatakse uue ebasobivat tüüpi patareiga, võib tekkida plahvatusoht. Tühjad patareid tuleb võimaluse korral viia vastavasse kogumispunkti. Tühjade patareide äraviskamisel tuleb järgida kohalikke keskkonnakaitse alaseid reegleid.*



### FIGYELMEZTETÉS

*Ha az elemet nem a megfelelő típusúra cseréli, felrobbanhat. Az elemeket lehetőség szerint újra kell hasznosítani. A használt elemeket a helyi környezetvédelmi előírásoknak megfelelően kell kiselejtezni.*



### UZMANĪBU

*Pastāv eksplozijas risks, ja baterijas tiek nomainītas ar nepareiza veida baterijām. Ja iespējams, baterijas vajadzētu nodot attiecīgos pieņemšanas punktus. Bateriju izmešanai atkritumos jānotiek saskaņā ar vietējiem vides aizsardzības noteikumiem.*



### DĒMESIO

*Naudojant netinkamo tipo baterijas įrenginys gali sprogti. Kai tik įmanoma, baterijas reikia naudoti pakartotinai. Panaudotas baterijas išmesti būtina pagal vietinius aplinkos apsaugos nuostatus.*



### ATTENZJONI

*Riskju ta' splużjoni jekk il-batterija tinbidel b'tip ta' batterija mhux korrett. Il-batteriji għandhom jiġu riċiklati fejn hu possibbli. Ir-rimi ta' batteriji użati għandu jsir skond ir-regolamenti ambjentali lokali.*

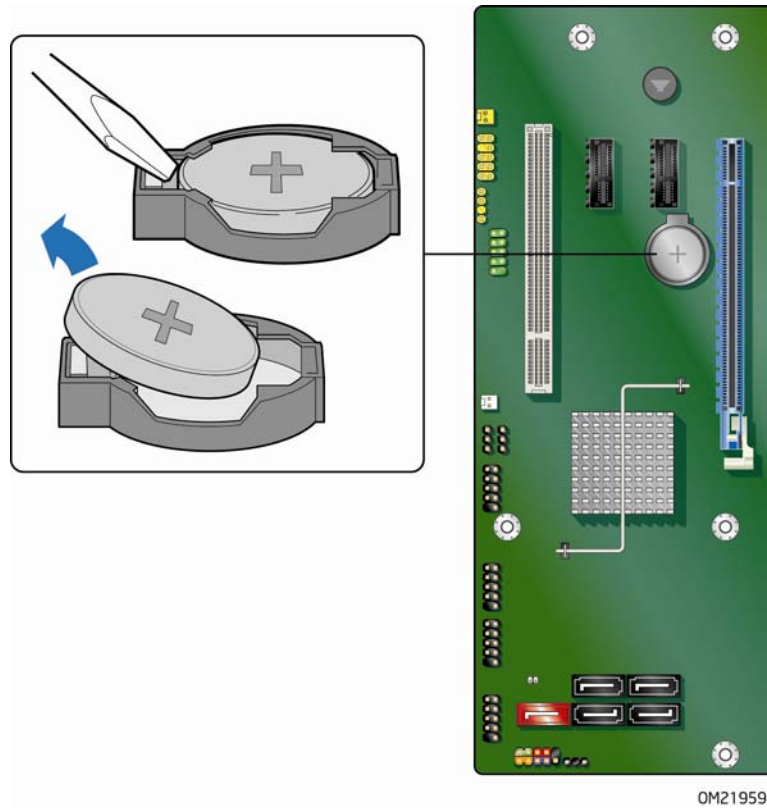


### OSTRZEŻENIE

*Ryzyko wybuchu w przypadku wymiany na baterie niewłaściwego typu. W miarę możliwości baterie należy poddać recyklingowi. Zużytych baterii należy pozbywać się zgodnie z lokalnie obowiązującymi przepisami w zakresie ochrony środowiska.*

To replace the battery, follow these steps:

1. Observe the precautions in "Before You Begin" (see page 33).
2. Turn off all peripheral devices connected to the computer. Disconnect the computer's power cord from the AC power source (wall outlet or power adapter).
3. Remove the computer cover.
4. Locate the battery on the board (see Figure 29).
5. With a medium flat-bladed screwdriver, gently pry the battery free from its connector. Note the orientation of the "+" and "-" on the battery.
6. Install the new battery in the connector, orienting the "+" and "-" correctly.
7. Replace the computer cover.



**Figure 29. Removing the Battery**



## 3 Updating the BIOS

---

The BIOS Setup program can be used to view and change the BIOS settings for the computer. You can access the BIOS Setup program by pressing the <F2> key after the Power-On Self-Test (POST) memory test begins and before the operating system boot begins.

This chapter tells you how to update the BIOS by either using the Intel® Express BIOS Update utility or the Iflash Memory Update utility, and how to recover the BIOS if an update fails.

### Updating the BIOS with the Intel® Express BIOS Update Utility

With the Intel Express BIOS Update utility you can update the system BIOS while in the Windows environment. The BIOS file is included in an automated update utility that provides the ease of use of a Windows-based installation wizard.

To update the BIOS with the Intel Express BIOS Update utility:

1. Go to the Intel World Wide Web site:  
<http://support.intel.com/support/motherboards/desktop/>
2. Navigate to the DQ57TM page, click "Latest BIOS and driver updates," select "BIOS Update [TMIBX10H.86A]," and download the Express BIOS Update utility file.
3. Download the file to your hard disk drive. (You can also save this file to a removable USB device. This is useful if you are updating the BIOS for multiple identical systems.)
4. Close all other applications. This step is required. Your system will be rebooted at the last Express BIOS Update window.
5. Double-click the executable file from the location on your hard disk drive where it was saved. This runs the update program.
6. Follow the instructions provided in the dialog boxes to complete the BIOS update.

## Updating the BIOS with the ISO Image BIOS Update File or the Iflash Memory Update Utility

You can use the information in this section to update the BIOS using either the Iflash Memory Update Utility or the ISO Image BIOS update file.

### Obtaining the BIOS Update File

You can update to a new version of the BIOS by using the ISO Image BIOS update file (recommended), or Iflash BIOS update file.

The ISO Image BIOS update file is a standardized image of a bootable CD-ROM that can be used to create a bootable CD that will update the BIOS.

The Iflash BIOS update file is a compressed file that contains the files you need to update the BIOS. The Iflash BIOS update file contains:

- New BIOS file (including the Intel® Management Engine Firmware Image)
- Intel® Integrator Toolkit Configuration File (optional)
- Intel Flash Memory Update Utility

You can obtain either of these files through your computer supplier or by navigating to the Intel Desktop Board DQ57TM page on the Intel World Wide Web site at:

<http://support.intel.com/support/motherboards/desktop>

Navigate to the DQ57TM page, click "Latest BIOS and driver updates," select "BIOS Update [TMIBX10H.86A]," and download the ISO Image BIOS Update or Iflash BIOS Update utility file.

## Updating the BIOS with the ISO Image BIOS Update File

The ISO Image BIOS update allows for the update of an Intel® Desktop Board BIOS to the latest production release regardless of the operating system installed on the computer's hard disk drive and without the need to remove the BIOS configuration jumper. It requires a blank CD-R, a read/writeable CD drive, and software capable of uncompressing and writing the ISO image file to CD.

The image is bootable and automatically launches a script to update the BIOS via the Iflash utility.



### CAUTION

*Do not interrupt the process or the system may not function properly.*

Follow these instructions to upgrade the BIOS using the ISO Image BIOS file:

1. Download the ISO Image BIOS file.
2. Using software capable of writing an ISO image file to CD, burn the data to a blank CD.



### NOTE

*Copying the ISO Image BIOS file to CD will not work. The completed CD should contain multiple files and a directory.*

3. Insert the CD that was created in the CD-ROM drive of the computer to be upgraded and boot the system.
4. When the "Press ENTER to continue booting from CD-ROM" prompt appears, press the Enter key. The system will boot from the hard disk drive if no key is pressed within 15 seconds.
5. At the "Welcome to the Intel Desktop Board BIOS Upgrade CD-ROM" page, press any key to confirm the BIOS upgrade operation.
6. Wait for the BIOS upgrade process to complete.



### CAUTION

*DO NOT POWER DOWN YOUR COMPUTER before the update is complete. The update may take up to 5 minutes.*

## Updating the BIOS with the Iflash Memory Update Utility

With the Iflash Memory update utility you can update the system BIOS from a bootable CD-ROM, bootable USB flash drive, or other bootable USB media. The utility available on the Intel World Wide Web site provides a simple method for creating a bootable CD-ROM that will automatically update your BIOS. The Iflash BIOS update files can also be extracted locally to your hard disk drive and copied to a bootable USB flash drive or other bootable USB media.

The Iflash Memory update utility allows you to update the BIOS and Intel Management Engine in flash memory



### NOTE

*Review the instructions distributed with the update utility before attempting a BIOS update.*



### CAUTION

*Do not interrupt the process or the system may not function properly.*

1. Uncompress the BIOS update file and copy the .BIO file, IFLASH.EXE, and .ITK file (optional) to a bootable USB flash drive or other bootable USB media.
2. Configure the BIOS or use the F10 option during POST to boot to the USB device.
3. Manually run the IFLASH.EXE file from the USB device and manually update the BIOS.

## Recovering the BIOS

It is unlikely that anything will interrupt the BIOS update; however, if an interruption occurs, the BIOS could be damaged. Due to BIOS size and recovery requirements, a CD-R with the .BIO file in the root directory will be required.

For more information about updating the Intel Desktop Board BIOS or recovering from a BIOS update failure, go to

<http://support.intel.com/support/motherboards/desktop/sb/CS-022312.htm>



# A Error Messages and Indicators

---

Intel Desktop Board DQ57TM reports POST errors in two ways:

- By sounding a beep code and blinking the front panel power LED
- By displaying an error message on the monitor

## BIOS Error Codes

Whenever a recoverable error occurs during POST, the BIOS causes the board's speaker to beep and the front panel power LED to blink an error message indicating the problem (see Table 18).

**Table 18. BIOS Beep Codes**

Type	Pattern	Frequency/Comments
F2 Setup/F10 Boot Menu Prompt	One 0.5 second beep when the BIOS is ready to accept keyboard input	932 Hz
BIOS update in progress	None	
Video error (no add-in graphics card installed)	On-off (1.0 second each) two times, then a 2.5-second pause (off), the entire pattern repeats (beeps and pause) once and the BIOS will continue to boot.	932 Hz For processors requiring an add-in graphics card
Memory error	On-off (1.0 second each) three times, then a 2.5-second pause (off), the entire pattern repeats (beeps and pause) until the system is powered off.	932 Hz
Thermal trip warning	Alternate high and low beeps (1.0 second each) for eight beeps followed by system shut down.	High beep 2000 Hz Low beep 1500 Hz

**Table 19. Front-panel Power LED Blink Codes**

Type	Pattern	Note
F2 Setup/F10 Boot Menu Prompt	None	
BIOS update in progress	Off when the update begins, then on for 0.5 seconds, then off for 0.5 seconds. The pattern repeats until the BIOS update is complete.	
Video error (no add-in graphics card installed)	On-off (1.0 second each) two times, then a 2.5-second pause (off), the entire pattern repeats (blink and pause) until the system is powered off.	For processors requiring an add-in graphics card
Memory error	On-off (1.0 second each) three times, then a 2.5-second pause (off), the entire pattern repeats (blinks and pause) until the system is powered off.	
Thermal trip warning	Each beep will be accompanied by the following blink pattern: .25 seconds on, .25 seconds off, .25 seconds on, .25 seconds off. This results in a total of 16 blinks.	

## BIOS Error Messages

When a recoverable error occurs during the POST, the BIOS displays an error message describing the problem. Table 20 gives an explanation of the BIOS error messages.

**Table 20. BIOS Error Messages**

Error Message	Explanation
CMOS Battery Low	The battery may be losing power. Replace the battery soon.
CMOS Checksum Bad	The CMOS checksum is incorrect. CMOS memory may have been corrupted. Run Setup to reset values.
Memory Size Decreased	Memory size has decreased since the last boot. If no memory was removed, then memory may be bad.
No Boot Device Available	System did not find a device to boot.

# B Regulatory Compliance

---

This appendix contains the following regulatory compliance information for Intel Desktop Board DQ57TM:

- Safety standards
- European Union Declaration of Conformity statement
- Product Ecology statements
- Electromagnetic Compatibility (EMC) regulations
- Product certifications

## Safety Standards

Intel Desktop Board DQ57TM complies with the safety standards stated in Table 21 when correctly installed in a compatible host system.

**Table 21. Safety Standards**

Regulation	Title
CSA/UL 60950-1, First Edition	Information Technology Equipment – Safety - Part 1: General Requirements (USA and Canada)
EN 60950-1:2006, Second Edition	Information Technology Equipment – Safety - Part 1: General Requirements (European Union)
IEC 60950-1:2005, Second Edition	Information Technology Equipment – Safety - Part 1: General Requirements (International)

## Place Battery Marking

There is insufficient space on this Desktop Board to provide instructions for replacing and disposing of the Lithium ion coin cell battery. For system safety certification, the statement below or an equivalent statement is required to be permanently and legibly marked on the chassis near the battery.



### **CAUTION**

*Risk of explosion if the battery is replaced with an incorrect type. Batteries should be recycled where possible. Disposal of used batteries must be in accordance with local environmental regulations.*

A suitable caution label is included with Intel Desktop Board DQ57TM.

For information about replacing the battery, go to page 61.

## European Union Declaration of Conformity Statement

We, Intel Corporation, declare under our sole responsibility that the product Intel® Desktop Board DQ57TM is in conformity with all applicable essential requirements necessary for CE marking, following the provisions of the European Council Directives 2004/108/EC (EMC Directive) and 2006/95/EC (Low Voltage Directive).

The product is properly CE marked demonstrating this conformity and is for distribution within all member states of the EU with no restrictions.



This product follows the provisions of the European Directives 2004/108/EC and 2006/95/EC.

**Čeština** Tento výrobek odpovídá požadavkům evropských směrnic 2004/108/EC a 2006/95/EC.

**Dansk** Dette produkt er i overensstemmelse med det europæiske direktiv 2004/108/EC & 2006/95/EC.

**Dutch** Dit product is in navolging van de bepalingen van Europees Directief 2004/108/EC & 2006/95/EC.

**Eesti** Antud toode vastab Euroopa direktiivides 2004/108/EC ja 2006/95/EC kehtestatud nõuetele.

**Suomi** Tämä tuote noudattaa EU-direktiivin 2004/108/EC & 2006/95/EC määräyksiä.

**Français** Ce produit est conforme aux exigences de la Directive Européenne 2004/108/EC & 2006/95/EC.

**Deutsch** Dieses Produkt entspricht den Bestimmungen der Europäischen Richtlinie 2004/108/EC & 2006/95/EC.

**Ελληνικά** Το παρόν προϊόν ακολουθεί τις διατάξεις των Ευρωπαϊκών Οδηγιών 2004/108/EC και 2006/95/EC.

**Magyar** E termék megfelel a 2004/108/EC és 2006/95/EC Európai Irányelv előírásainak.

**Icelandic** Þessi vara stenst reglugerð Evrópska Efnahags Bandalagsins númer 2004/108/EC & 2006/95/EC.

**Italiano** Questo prodotto è conforme alla Direttiva Europea 2004/108/EC & 2006/95/EC.

**Latviešu** Šis produkts atbilst Eiropas Direktīvu 2004/108/EC un 2006/95/EC noteikumiem.

**Lietuvių** Šis produktas atitinka Europos direktyvų 2004/108/EC ir 2006/95/EC nuostatas.

**Malti** Dan il-prodott hu konformi mal-provvedimenti tad-Direttivi Ewropej 2004/108/EC u 2006/95/EC.

**Norsk** Dette produktet er i henhold til bestemmelsene i det europeiske direktivet 2004/108/EC & 2006/95/EC.

**Polski** Niniejszy produkt jest zgodny z postanowieniami Dyrektyw Unii Europejskiej 2004/108/EC i 2006/95/EC.

**Portuguese** Este produto cumpre com as normas da Diretiva Europeia 2004/108/EC & 2006/95/EC.

**Español** Este producto cumple con las normas del Directivo Europeo 2004/108/EC & 2006/95/EC.

**Slovensky** Tento produkt je v súlade s ustanoveniami európskych direktív 2004/108/EC a 2006/95/EC.

**Slovenščina** Izdelek je skladen z določbami evropskih direktiv 2004/108/EC in 2006/95/EC.

**Svenska** Denna produkt har tillverkats i enlighet med EG-direktiv 2004/108/EC & 2006/95/EC.

**Türkçe** Bu ürün, Avrupa Birliği'nin 2004/108/EC ve 2006/95/EC yönergelerine uyur.

## Product Ecology Statements

The following information is provided to address worldwide product ecology concerns and regulations.

## Recycling Considerations

As part of its commitment to environmental responsibility, Intel has implemented the Intel® Product Recycling Program to allow retail consumers of Intel's branded products to return used products to selected locations for proper recycling.

Please consult [http://www.intel.com/intel/other/ehs/product\\_ecology](http://www.intel.com/intel/other/ehs/product_ecology) for the details of this program, including the scope of covered products, available locations, shipping instructions, terms and conditions, etc.

### 中文

作为其对环境责任之承诺的部分，英特尔已实施 Intel Product Recycling Program（英特尔产品回收计划），以允许英特尔品牌产品的零售消费者将使用过的产品退还至指定地点作恰当的重使用处理。

请参考[http://www.intel.com/intel/other/ehs/product\\_ecology](http://www.intel.com/intel/other/ehs/product_ecology)了解此计划的详情，包括涉及产品之范围、回收地点、运送指导、条款和条件等。

### Deutsch

Als Teil von Intels Engagement für den Umweltschutz hat das Unternehmen das Intel Produkt-Recyclingprogramm implementiert, das Einzelhandelskunden von Intel Markenprodukten ermöglicht, gebrauchte Produkte an ausgewählte Standorte für ordnungsgemäßes Recycling zurückzugeben.

Details zu diesem Programm, einschließlich der darin eingeschlossenen Produkte, verfügbaren Standorte, Versandanweisungen, Bedingungen usw., finden Sie auf der [http://www.intel.com/intel/other/ehs/product\\_ecology](http://www.intel.com/intel/other/ehs/product_ecology)

### Español

Como parte de su compromiso de responsabilidad medioambiental, Intel ha implantado el programa de reciclaje de productos Intel, que permite que los consumidores al detalle de los productos Intel devuelvan los productos usados en los lugares seleccionados para su correspondiente reciclado.

Consulte la [http://www.intel.com/intel/other/ehs/product\\_ecology](http://www.intel.com/intel/other/ehs/product_ecology) para ver los detalles del programa, que incluye los productos que abarca, los lugares disponibles, instrucciones de envío, términos y condiciones, etc.

### Français

Dans le cadre de son engagement pour la protection de l'environnement, Intel a mis en œuvre le programme Intel Product Recycling Program (Programme de recyclage des produits Intel) pour permettre aux consommateurs de produits Intel de recycler les produits usés en les retournant à des adresses spécifiées.

Visitez la page Web [http://www.intel.com/intel/other/ehs/product\\_ecology](http://www.intel.com/intel/other/ehs/product_ecology) pour en savoir plus sur ce programme, à savoir les produits concernés, les adresses disponibles, les instructions d'expédition, les conditions générales, etc.

### 日本語

インテルでは、環境保護活動の一環として、使い終わったインテル ブランド製品を指定の場所へ返送していただき、リサイクルを適切に行えるよう、インテル製品リサイクル プログラムを発足させました。

対象製品、返送先、返送方法、ご利用規約など、このプログラムの詳細情報は、[http://www.intel.com/intel/other/ehs/product\\_ecology](http://www.intel.com/intel/other/ehs/product_ecology) (英語)をご覧ください。

### Malay

Sebagai sebahagian daripada komitmennya terhadap tanggungjawab persekitaran, Intel telah melaksanakan Program Kitar Semula Produk untuk membenarkan pengguna-pengguna runcit produk jenama Intel memulangkan produk terguna ke lokasi-lokasi terpilih untuk dikitar semula dengan betul.

Sila rujuk [http://www.intel.com/intel/other/ehs/product\\_ecology](http://www.intel.com/intel/other/ehs/product_ecology) untuk mendapatkan butir-butir program ini, termasuklah skop produk yang dirangkumi, lokasi-lokasi tersedia, arahan penghantaran, terma & syarat, dsb.

### **Portuguese**

Como parte deste compromisso com o respeito ao ambiente, a Intel implementou o Programa de Reciclagem de Produtos para que os consumidores finais possam enviar produtos Intel usados para locais selecionados, onde esses produtos são reciclados de maneira adequada.

Consulte o site [http://www.intel.com/intel/other/ehs/product\\_ecology](http://www.intel.com/intel/other/ehs/product_ecology) (em Inglês) para obter os detalhes sobre este programa, inclusive o escopo dos produtos cobertos, os locais disponíveis, as instruções de envio, os termos e condições, etc.

### **Russian**

В качестве части своих обязательств к окружающей среде, в Intel создана программа утилизации продукции Intel (Product Recycling Program) для предоставления конечным пользователям марок продукции Intel возможности возврата используемой продукции в специализированные пункты для должной утилизации.

Пожалуйста, обратитесь на веб-сайт [http://www.intel.com/intel/other/ehs/product\\_ecology](http://www.intel.com/intel/other/ehs/product_ecology) за информацией об этой программе, принимаемых продуктах, местах приема, инструкциях об отправке, положениях и условиях и т.д.

### **Türkçe**

Intel, çevre sorumluluğuna bağlılığının bir parçası olarak, perakende tüketicilerin Intel markalı kullanılmış ürünlerini belirlenmiş merkezlere iade edip uygun şekilde geri dönüştürmesini amaçlayan Intel Ürünleri Geri Dönüşüm Programı'nı uygulamaya koymuştur.

Bu programın ürün kapsamı, ürün iade merkezleri, nakliye talimatları, kayıtlar ve şartlar v.s dahil bütün ayrıntılarını öğrenmek için lütfen [http://www.intel.com/intel/other/ehs/product\\_ecology](http://www.intel.com/intel/other/ehs/product_ecology) web sayfasına gidin.

## Lead-free 2LI/Pb-free 2LI Board

The electronics industry is transitioning to European Union (EU) Restriction of Hazardous Substances (RoHS)-compliant products. The RoHS legislation restricts the use of six materials. One of these restricted materials is lead. Lead is the most common and problematic of the RoHS restricted materials.

There are exemptions in RoHS that allow the use of lead in some very limited locations in electronic products. Maximum lead concentration values have been established for RoHS-compliant electronic products that allow up to 1000 ppm of lead.

Lead-free/Pb-free is a nickname that is often used (or misused) for RoHS-compliant products. In this case, the term "Lead-free/Pb-free" means that lead has been removed where required by the RoHS legislation but still may exist as an impurity below 1000 ppm.


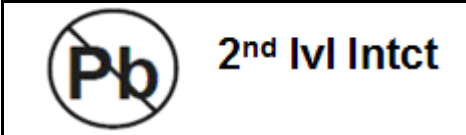
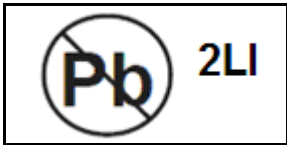
The term "Lead-free 2LI/Pb-free 2LI" means lead-free second level interconnect (2LI). The balls, leads, or pads used to connect the component to a printed circuit board are lead-free, but the first level interconnect (FLI) is not lead-free. The use of lead in the FLI is acceptable because of the RoHS "flip chip" or "die bump" interconnect exemption.

Intel Desktop Board DQ57TM is a lead-free second level interconnect product. Table 22 shows the lead-free second level interconnect marks as they appear on the board and accompanying collateral. These marks are based on JEDEC standard J-STD-609, "Marking and Labeling of Components, PCBs and PCBAs to Identify Lead, Lead Free and Other Attributes."

For more information concerning Intel's lead-free initiatives, refer to:  
<http://www.intel.com/technology/silicon/leadfree.htm>.



**Table 22. Lead-Free Second Level Interconnect Marks**

Description	Mark
<p>This symbol is used to identify electrical and electronic assemblies and components in which the Pb concentration level in the Desktop Board substrate and the solder connections from the board to the components (second-level interconnect) is not greater than 0.1% by weight (1000 ppm).</p>	<div style="text-align: center;">  <p>or</p>  <p>or</p>  </div>

## Restriction of Hazardous Substances (RoHS)

### EU RoHS

EU RoHS Directive 2002/95/EC restricts the use of the following six materials in various types of electronic and electrical equipment:

- Lead
- Mercury
- Cadmium
- Hexavalent chromium
- Polybrominated biphenyls (PBB)
- Polybrominated diphenyl ether (PBDE)

The maximum concentrations allowed are 0.1% or 1000 ppm (except for cadmium, which is limited to 0.01% or 100 ppm) by weight of homogeneous material.

Intel Desktop Board DQ57TM complies with these restrictions.

## China RoHS

“China RoHS” is the term used by industry generally to describe legislation implemented by the Ministry of Information Industry (MII) in the People's Republic of China for the control of pollution by electronic information products (EIP). The official title of the China RoHS regulation is “Management Methods for Controlling Pollution by Electronic Information Products.”


China RoHS bans the same substances and has the same limits as EU RoHS. However, the China RoHS regulation requires specific product marking and a self-declaration of the controlled substances contained in each product.

Intel Desktop Board DQ57TM is a China RoHS-compliant product.

The required China RoHS mark indicates the product’s Environmental Friendly Usage Period (EFUP). The EFUP is defined as the number of years for which listed controlled substances will not leak or chemically deteriorate while in the product. The EFUP for Intel Desktop Boards has been determined to be 10 years.

The EFUP for Intel Desktop Board DQ57TM is shown in Table 23.

**Table 23. China RoHS Environmentally Friendly Use Period Mark**

Description	Mark
This is an example of the symbol used on Intel Desktop Boards and associated collateral. The color of the mark may vary depending upon the application. The Environmental Friendly Usage Period (EFUP) for Intel Desktop Boards has been determined to be 10 years.	

The China MII stipulates that a material Self Declaration Table (SDT) must be included in a product's user documentation. The SDT for Intel Desktop Board DQ57TM is shown in Figure 30.

关于符合中国《电子信息产品污染控制管理办法》的声明

Management Methods on Control of Pollution from  
Electronic Information Products  
(China RoHS declaration)

产品中有毒有害物质的名称及含量

部件名称 (Parts)	有毒有害物质或元素					
	铅 (Pb)	汞 (Hg)	镉 (Cd)	六价铬 (Cr6+)	多溴联苯 (PBB)	多溴二苯醚 (PBDE)
主板组件 Motherboard Assembly	×	○	○	○	○	○
<p>○：表示该有毒有害物质在该部件所有均质材料中的含量均在 SJ/T 11363-2006 标准规定的限量要求以下。</p> <p>○：Indicates that this hazardous substance contained in all homogeneous materials of this part is below the limit requirement in SJ/T 11363-2006.</p> <p>×：表示该有毒有害物质至少在该部件的某一均质材料中的含量超出 SJ/T 11363-2006 标准规定的限量要求。</p> <p>×：Indicates that this hazardous substance contained in at least one of the homogeneous materials of this part is above the limit requirement in SJ/T 11363-2006.</p> <p>对销售之日的所售产品,本表显示我公司供应链的电子产品信息产品可能包含这些物质。注意：在所售产品中可能会也可能不会含有所有所列的部件。</p> <p>This table shows where these substances may be found in the supply chain of our electronic information products, as of the date of sale of the enclosed product. Note that some of the component types listed above may or may not be a part of the enclosed product.</p>						

**Figure 30. Intel Desktop Board DQ57TM China RoHS Material Self Declaration Table**

## EMC Regulations

Intel Desktop Board DQ57TM complies with the EMC regulations stated in Table 24 when correctly installed in a compatible host system.

**Table 24. EMC Regulations**

Regulation (Class B)	Title
FCC 47 CFR Part 15, Subpart B	Title 47 of the Code of Federal Regulations, Part 15, Subpart B, Radio Frequency Devices. (USA)
ICES-003 Issue 4	Interference-Causing Equipment Standard, Digital Apparatus. (Canada)
EN55022:2006	Limits and methods of measurement of Radio Interference Characteristics of Information Technology Equipment. (European Union)
EN55024:1998	Information Technology Equipment – Immunity Characteristics Limits and methods of measurement. (European Union)
EN55022:2006	Australian Communications Authority, Standard for Electromagnetic Compatibility. (Australia and New Zealand)
CISPR 22:2005 +A1:2005 +A2:2006	Limits and methods of measurement of Radio Disturbance Characteristics of Information Technology Equipment. (International)
CISPR 24:1997 +A1:2001 +A2:2002	Information Technology Equipment – Immunity Characteristics – Limits and Methods of Measurement. (International)
VCCI V-3/2007.04, V-4/2007.04	Voluntary Control for Interference by Information Technology Equipment (Japan)
KN-22, KN-24	Korean Communications Commission – Framework Act on Telecommunications and Radio Waves Act. (South Korea).
CNS 13438:2006	Bureau of Standards, Metrology and Inspection. (Taiwan)

Japanese Kanji statement translation: This is a Class B product based on the standard of the Voluntary Control Council for Interference from Information Technology Equipment (VCCI). If this is used near a radio or television receiver in a domestic environment, it may cause radio interference. Install and use the equipment according to the instruction manual.

この装置は、情報処理装置等電波障害自主規制協議会（VCCI）の基準に基づくクラスB情報技術装置です。この装置は、家庭環境で使用することを目的としていますが、この装置がラジオやテレビジョン受信機に近接して使用されると、受信障害を引き起こすことがあります。  
取扱説明書に従って正しい取り扱いをして下さい。

Korean Class B statement translation: This is household equipment that is certified to comply with EMC requirements. You may use this equipment in residential environments and other non-residential environments.

이 기기는 가정용으로 전자파적합등록을 한 기기로서  
주거지역에서는 물론 모든 지역에서 사용할 수 있습니다.

## Ensure Electromagnetic Compatibility (EMC) Compliance

Before computer integration, make sure that the power supply and other modules or peripherals, as applicable, have passed Class B EMC testing and are marked accordingly.

Pay close attention to the following when reading the installation instructions for the host chassis, power supply, and other modules:

- Product certifications or lack of certifications
- External I/O cable shielding and filtering
- Mounting, grounding, and bonding requirements
- Keying connectors when mating the wrong connectors could be hazardous








If the power supply and other modules or peripherals, as applicable, are not Class B EMC compliant before integration, then EMC testing may be required on a representative sample of the newly completed computer.

## Product Certifications

### Board-Level Certification Markings

Intel Desktop Board DQ57TM has the product certification markings shown in Table 25.

**Table 25. Product Certification Markings**

Description	Mark
UL joint US/Canada Recognized Component mark. Includes adjacent UL file number for Intel Desktop Boards: E210882.	
FCC Declaration of Conformity logo mark for Class B equipment. Includes Intel name and DQ57TM model designation.	
CE mark. Declaring compliance to European Union (EU) EMC directive and Low Voltage directive.	
Australian Communications Authority (ACA) and New Zealand Radio Spectrum Management (NZ RSM) C-tick mark. Includes adjacent Intel supplier code number, N-232.	
Japan VCCI (Voluntary Control Council for Interference) mark.	
S. Korea KCC (Korean Communications Commission) mark. Includes adjacent KCC certification number: CPU-DQ57TM (B).	
Taiwan BSMI (Bureau of Standards, Metrology and Inspections) mark. Includes adjacent Intel company number, D33025.	
Printed wiring board manufacturer's recognition mark. Consists of a unique UL recognized manufacturer's logo, along with a flammability rating (solder side).	<p data-bbox="1258 1323 1315 1354">V-0</p>

## Chassis and Component Certifications

Ensure that the chassis and certain components; such as the power supply, peripheral drives, wiring, and cables; are components certified for the country or market where used. Agency certification marks on the product are proof of certification. Typical product certifications include:

### **In Europe**

The CE marking signifies compliance with all applicable European requirements. If the chassis and other components are not properly CE marked, a supplier's Declaration of Conformity statement to the European EMC directive and Low Voltage directive (as applicable), should be obtained. Additionally, other directives, such as the Radio and Telecommunications Terminal Equipment (R&TTE) directive may also apply depending on product features.

### **In the United States**

A certification mark by a Nationally Recognized Testing Laboratory (NRTL) such as UL, CSA, or ETL signifies compliance with safety requirements. Wiring and cables must also be UL listed or recognized and suitable for the intended use. The FCC Class B logo for home or office use signifies compliance with electromagnetic interference (EMI) requirements.

### **In Canada**

A nationally recognized certification mark such as CSA or cUL signifies compliance with safety requirements. The Industry Canada statement at the front of this product guide demonstrates compliance with Canadian EMC regulations.

