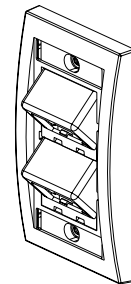
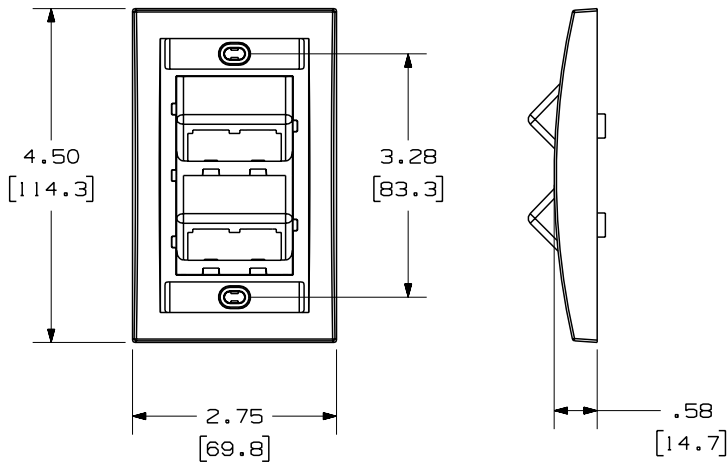


THIS COPY IS PROVIDED ON A RESTRICTED BASIS AND IS NOT TO BE USED IN ANY WAY DETRIMENTAL TO THE INTERESTS OF PANDUIT CORP.

PANDUIT P/N	WEIGHT
CFPSE4**Y	.91 LB/10 PCS (412.8 g/10 PCS.)

NOTES:

1. SEE CURRENT CATALOG FOR ADDITIONAL PART NUMBER SUFFIXES TO INDICATE COLOR AND OR PACKAGE QUANTITY.
2. SEE CATALOG FOR COMPLETE LIST OF PARTS APPLICABLE FOR USE WITH THIS PART.
3. DIMENSIONS IN [] ARE METRIC.
4. PART INCLUDES:
 - 1- CBE** FACEPLATE FRAME
 - 2- #6-32 X 1" MOUNTING SCREW
 - 2- LABEL
 - 2- LABEL COVER
 - 2- CHS2S** INSERT



MODEL FILENAME	D35544BF_CBE_02.PRT	SIZE	A
DRAWING FILENAME	MO2479FA_DC133_00A.PRT		

SINGLE GANG EXECUTIVE FACEPLATE FRAME KIT CUSTOMER DRAWING

REV	DATE	BY	CHK	DESCRIPTION	ECN	R	CUST	SUP	OTH
R	4-27-06	JsP		RELEASED TO PRODUCTION	02479-133				

<p>PANDUITTM CORP. TINLEY PARK, ILL 60477</p> <p>THIRD ANGLE PROJECTION</p>	ALL DIMENSIONS ARE GIVEN IN INCHES. UNLESS OTHERWISE SPECIFIED.	I.I. NUMBER	N/A
	DIMENSIONAL TOLERANCES ARE: (.X) ± (XXX) ±.010(.3) (.XX) ±.031(.8) ANGLES ±	PRODUCT SPEC	N/A
		WORK INSTRUCTION	N/A
		SCALE	NONE
DRAWN BY JsP	MATERIAL: ABS	PART NO.	CFPSE4**Y
DATE 4-27-06		DRAWING NO.	02479-133