

- English
- Español
- Français
- Italiano
- Deutsch
- Português
- По Русски
- 中文显示
- 日本語
- 한국어



Datasheet Application Tooling

[[Home](#) > [Products](#) > [Tooling](#) > [Datasheet](#)]

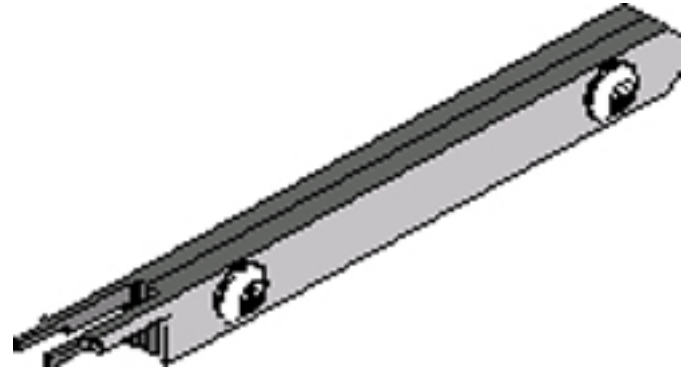
63813-0400

Manual Extraction Tool

[View all parts in series 63813](#)

[E-mail this page](#)

Status	Active
Access Level	Internet
Region	Americas
Level of Automation	Manual
Function	Extraction
Tool Type	Handtool
Wire Size [AWG]	See Tooling Specification (left-menu)
Wire Type	Discrete Wire
More Detailed Technical Information	applicationtooling@molex.com
Survey	Tooling Satisfaction
Molex Series	63813
Product Management	Grenke, Bob
Lab Office	UAT



Features and Benefits

- Inexpensive disposable tools
- Lightweight manual tools that are easy to use
- An aid used in the placement and removal of a terminal in a housing

Related Products

CRIMP TERMINALS	
Product Number	Description
42815-0011	Mini-Fit, Sr.™ Crimp Terminal, Female, 10 to 12 AWG, Tin (Sn)
42815-0031	Mini-Fit, Sr.™ Crimp Terminal, Female, 8 AWG, Tin (Sn)
42817-0011	Mini-Fit, Sr.™ Crimp Terminal, Male, 10 to 12 AWG, Tin (Sn)
42817-0031	Mini-Fit, Sr.™ Crimp Terminal, Male, 8 AWG, Tin (Sn)

© Copyright 2005 Molex Incorporated