

**Quick Reference**

Search by part #

Check distributor part inventory

**Products**

Browse Products

-By Device -

-By Product Line -

-Attachment Methods -

-Interface Materials -

-Accessories -

**Useful Links**

[MSDS Safety Sheets](#)

[How to order?](#)

[Find Sales Rep](#)

[Find Distributor](#)

[Sample Request](#)

[Quote Request](#)

[Catalog Request](#)

[Building a part #](#)

[Part # Cross Ref](#)

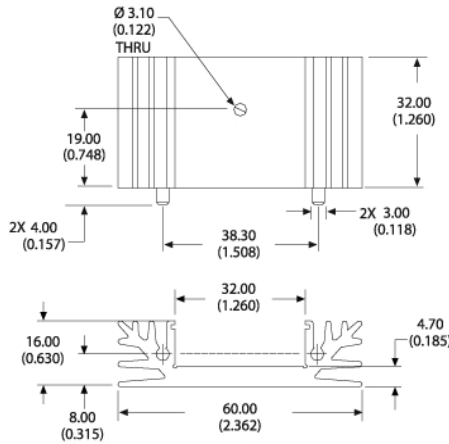
## For use with MULTIWATT/SIPs packages

Printer friendly version

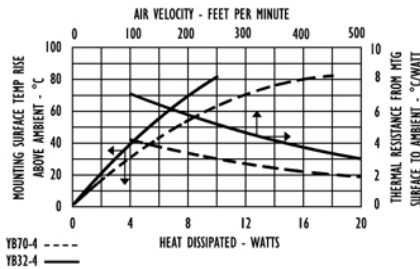
Part Number - YB324G  
 RoHS   
 Compliant



### Mechanical Outline Drawing



### Thermal Curves



<b>Thermal Resistance</b>	8.40
---------------------------	------

Thermal resistance value is based on a 75°C rise in natural convection

### Product Information

Part #	Description	Finish	Board Mounting
YB324G	Extruded heat sink with solderable pins	Black Anodize	<a href="#">View Hole Dimensions</a>

This non -electronic component is functionally unaffected by the normal soldering or reflow processes used for semiconductor circuits. The heat resistance time or heat resistance temperature is not applicable for the component.

### Not Exactly what you need?

We offer several options for those applications which require a more unique solution. For slight modifications of this part or other attachment options, finishes, and interface materials, contact your [local representative](#). Challenge us with your thermal requirements - we can design custom solutions.