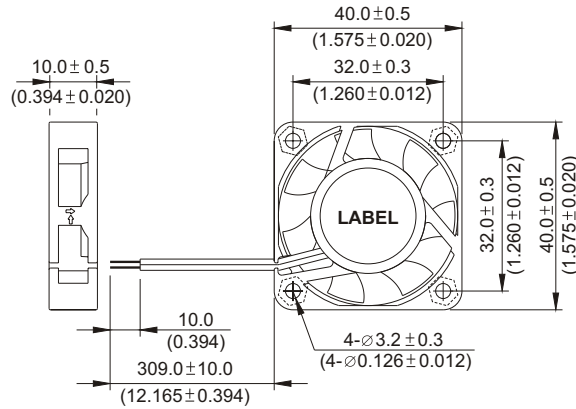


EFB 40 x 40 x 10 MM SERIES

DIMENSIONS DRAWING

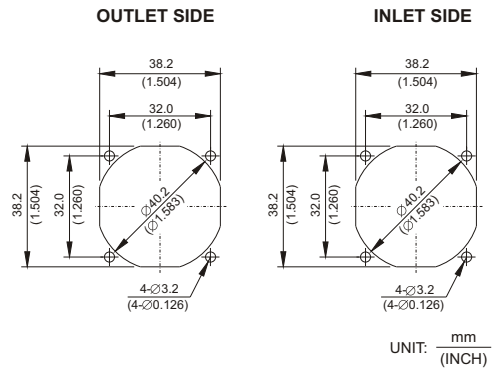
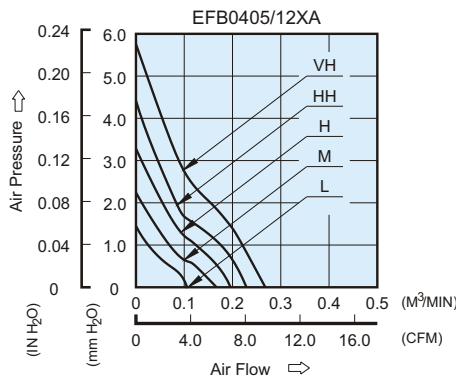


- * Bearing Type
Ball Bearings
- * Material
Impeller & Frame : Plastic(UL 94V-0)
- * Lead Wires :
UL 1007 AWG #28 OR Equivalent
Red Wire Positive(+)
Black Wire Negative(-)
- * Weight : 14.5g (0.51 OZ)
- * Rib Type Only



P & Q CURVE (AT RATED VOLTAGE)

MOUNTING PANEL CUTOUT



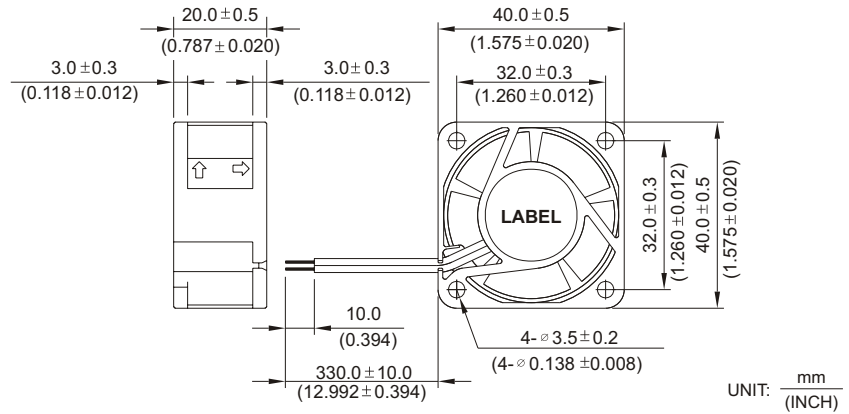
UNIT: $\frac{\text{mm}}{\text{INCH}}$

| MODEL | | Rated Voltage | Operating Voltage Range | Rated Current | Rated Input Power | Speed | Maximum Air Flow | | Maximum Air Pressure | | Noise |
|------------|-------------|---------------|-------------------------|---------------|-------------------|--------|---------------------|------|----------------------|---------------------|-------|
| PART NO. | FUNCTION | VDC | VDC | Amp | Watt | R.P.M. | m ³ /min | CFM | mmH ₂ O | IN H ₂ O | dB-A |
| EFB0405LA | -R00 / -F00 | 5 | 4.5 to 5.5 | 0.07 | 0.35 | 4000 | 0.106 | 3.74 | 1.45 | 0.057 | 20.5 |
| EFB0412LA | -R00 / -F00 | 12 | 9.0 to 13.8 | 0.05 | 0.60 | | | | | | |
| EFB0405MA | -R00 / -F00 | 5 | 4.5 to 5.5 | 0.10 | 0.50 | 5000 | 0.167 | 5.90 | 2.24 | 0.088 | 24.5 |
| EFB0412MA | -R00 / -F00 | 12 | 7.0 to 13.8 | 0.06 | 0.72 | | | | | | |
| EFB0405HA | -R00 / -F00 | 5 | 4.5 to 5.5 | 0.13 | 0.65 | 6000 | 0.196 | 6.92 | 3.28 | 0.129 | 28.5 |
| EFB0412HA | -R00 / -F00 | 12 | 7.0 to 13.8 | 0.08 | 0.96 | | | | | | |
| EFB0405HHA | -R00 / -F00 | 5 | 4.5 to 5.5 | 0.19 | 0.95 | 7000 | 0.229 | 8.09 | 4.42 | 0.174 | 33.0 |
| EFB0412HHA | -R00 / -F00 | 12 | 7.0 to 13.8 | 0.10 | 1.20 | | | | | | |
| EFB0412VHA | -R00 / -F00 | 12 | 7.0 to 13.8 | 0.15 | 1.80 | | | | | | |

- * Function type is optional.
- * The max. air flow and the speed are measured in free air ; max. air pressure is measured at zero air flow.
- * Noise is measured in anechoic chamber in free air, one meter from intake side.
- * All readings are typical values at rated voltage.
- * Specifications are subject to change without notice.

EFB 40 x 40 x 20 MM SERIES

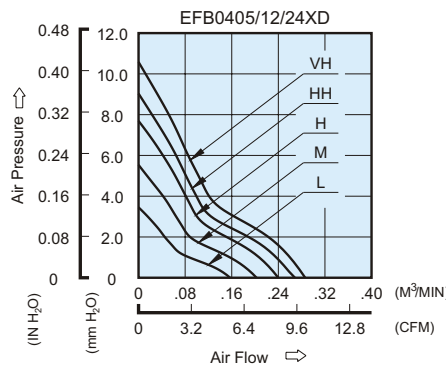
DIMENSIONS DRAWING



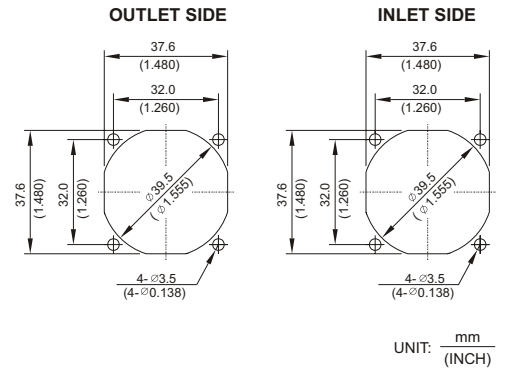
UNIT: mm (INCH)

- * Bearing Type
Ball Bearings
- * Material
Impeller & Frame : Plastic (UL 94V-0)
- * Lead Wires :
UL 1007 AWG #24 OR Equivalent
Red Wire Positive (+)
Black Wire Negative (-)
- * Weight : 33g (1.16 oz)
- * Rib Type Only

P & Q CURVE (AT RATED VOLTAGE)



MOUNTING PANEL CUTOUT



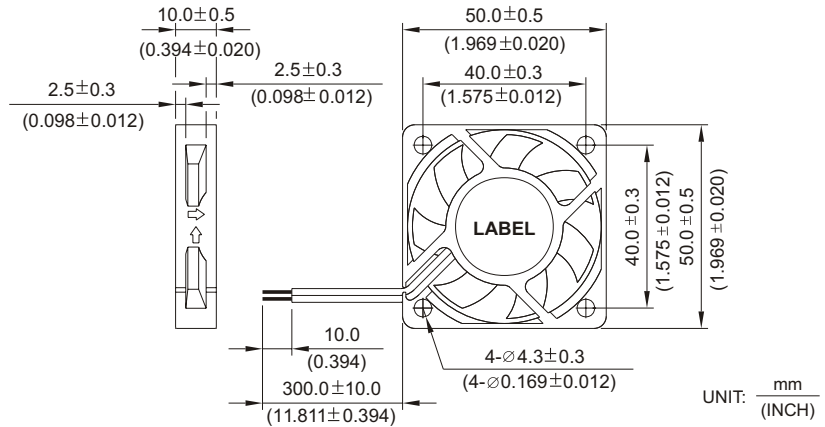
UNIT: mm (INCH)

| MODEL | | Rated Voltage | Operating Voltage Range | Rated Current | Rated Input Power | Speed | Maximum Air Flow | | Maximum Air Pressure | | Noise |
|------------|-------------|---------------|-------------------------|---------------|-------------------|--------|---------------------|-------|----------------------|---------------------|-------|
| PART NO. | FUNCTION | VDC | VDC | Amp | Watt | R.P.M. | m ³ /min | CFM | mmH ₂ O | IN H ₂ O | dB-A |
| EFB0405LD | -R00 / -F00 | 5 | 4.5 to 5.5 | 0.10 | 0.50 | 5000 | 0.157 | 5.54 | 3.45 | 0.136 | 22.0 |
| EFB0412LD | -R00 / -F00 | 12 | 7.0 to 13.8 | 0.05 | 0.60 | | | | | | |
| EFB0424LD | -R00 / -F00 | 24 | 14.0 to 27.6 | 0.04 | 0.96 | | | | | | |
| EFB0405MD | -R00 / -F00 | 5 | 4.5 to 5.5 | 0.15 | 0.75 | 6300 | 0.203 | 7.17 | 5.54 | 0.218 | 24.0 |
| EFB0412MD | -R00 / -F00 | 12 | 7.0 to 13.8 | 0.06 | 0.72 | | | | | | |
| EFB0424MD | -R00 / -F00 | 24 | 14.0 to 27.6 | 0.05 | 1.20 | | | | | | |
| EFB0405HD | -R00 / -F00 | 5 | 4.5 to 5.5 | 0.25 | 1.25 | 7600 | 0.242 | 8.54 | 7.69 | 0.303 | 28.5 |
| EFB0412HD | -R00 / -F00 | 12 | 7.0 to 13.8 | 0.08 | 0.96 | | | | | | |
| EFB0424HD | -R00 / -F00 | 24 | 14.0 to 27.6 | 0.06 | 1.44 | | | | | | |
| EFB0405HHD | -R00 / -F00 | 5 | 4.5 to 5.5 | 0.30 | 1.50 | 8200 | 0.267 | 9.43 | 9.00 | 0.354 | 30.5 |
| EFB0412HHD | -R00 / -F00 | 12 | 7.0 to 13.8 | 0.10 | 1.20 | | | | | | |
| EFB0424HHD | -R00 / -F00 | 24 | 14.0 to 27.6 | 0.07 | 1.68 | | | | | | |
| EFB0405VHD | -R00 / -F00 | 5 | 4.5 to 5.5 | 0.32 | 1.60 | 9000 | 0.286 | 10.10 | 10.57 | 0.416 | 32.5 |
| EFB0412VHD | -R00 / -F00 | 12 | 7.0 to 13.8 | 0.12 | 1.44 | | | | | | |
| EFB0424VHD | -R00 / -F00 | 24 | 14.0 to 27.6 | 0.09 | 2.16 | | | | | | |

* Function type is optional.
 * The max. air flow and the speed are measured in free air ; max. air pressure is measured at zero air flow.
 * Noise is measured in anechoic chamber in free air, one meter from intake side.
 * All readings are typical values at rated voltage.
 * Specifications are subject to change without notice.

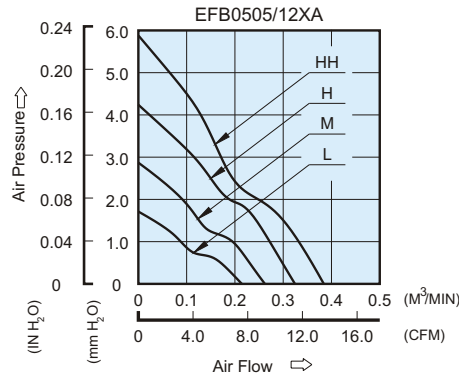
EFB 50 x 50 x 10 MM SERIES

DIMENSIONS DRAWING

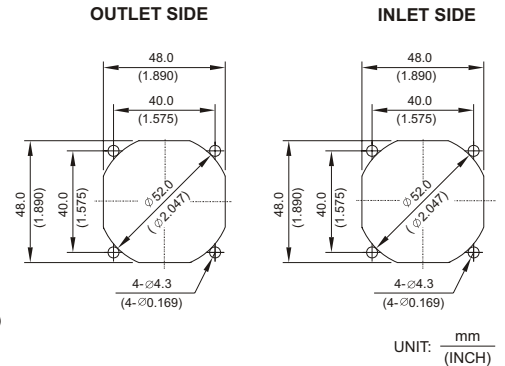


- * Bearing Type
Ball Bearings
- * Material :
Impeller & Frame : Plastic (UL 94V-0)
- * Lead Wires :
UL 2468 AWG #28 OR Equivalent
Red Wire Positive (+)
Black Wire Negative (-)
- * Weight : 25g (0.88 oz)
- * Rib Type Only

P & Q CURVE (AT RATED VOLTAGE)



MOUNTING PANEL CUTOUT

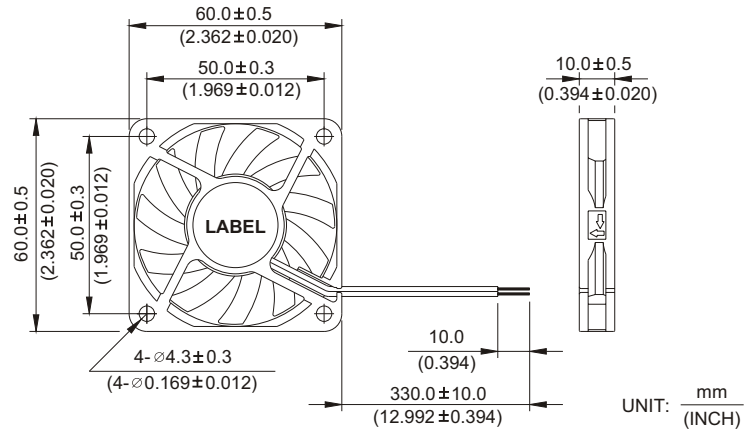


| MODEL | | Rated Voltage | Operating Voltage Range | Rated Current | Rated Input Power | Speed | Maximum Air Flow | | Maximum Air Pressure | | Noise |
|------------|-------------|---------------|-------------------------|---------------|-------------------|--------|---------------------|-------|----------------------|---------------------|-------|
| PART NO. | FUNCTION | VDC | VDC | Amp | Watt | R.P.M. | m ³ /min | CFM | mmH ₂ O | IN H ₂ O | dB-A |
| EFB0505LA | -R00 / -F00 | 5 | 4.5 to 5.5 | 0.07 | 0.35 | 3500 | 0.212 | 7.50 | 1.72 | 0.068 | 18.0 |
| EFB0512LA | -R00 / -F00 | 12 | 7.0 to 13.8 | 0.05 | 0.60 | | | | | | |
| EFB0505MA | -R00 / -F00 | 5 | 4.5 to 5.5 | 0.13 | 0.65 | 4500 | 0.261 | 9.21 | 2.87 | 0.113 | 25.0 |
| EFB0512MA | -R00 / -F00 | 12 | 7.0 to 13.8 | 0.08 | 0.96 | | | | | | |
| EFB0505HA | -R00 / -F00 | 5 | 4.5 to 5.5 | 0.20 | 1.00 | 5500 | 0.323 | 11.40 | 4.24 | 0.167 | 30.0 |
| EFB0512HA | -R00 / -F00 | 12 | 7.0 to 13.8 | 0.10 | 1.20 | | | | | | |
| EFB0512HHA | -R00 / -F00 | 12 | 7.0 to 13.8 | 0.15 | 1.80 | 6500 | 0.384 | 13.57 | 5.89 | 0.232 | 35.0 |

* Function type is optional.
 * The max. air flow and the speed are measured in free air ; max. air pressure is measured at zero air flow.
 * Noise is measured in anechoic chamber in free air, one meter from intake side.
 * All readings are typical values at rated voltage.
 * Specifications are subject to change without notice.
 * Both of the ball bearing and the 1 ball + 1 sleeve type are available.

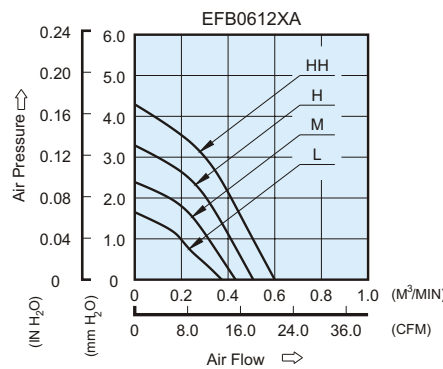
EFB 60 x 60 x 10 MM SERIES

DIMENSIONS DRAWING

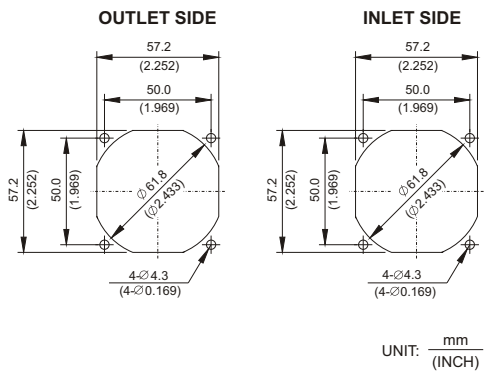


- * Bearing Type
Ball Bearings
- * Material
Impeller & Frame : Plastic (UL 94V-0)
- * Lead Wires :
UL 2468 AWG #28 OR Equivalent
Red Wire Positive (+)
Black Wire Negative (-)
- * Weight : 28g (0.99 oz)
- * Rib Type Only

P & Q CURVE (AT RATED VOLTAGE)



MOUNTING PANEL CUTOUT

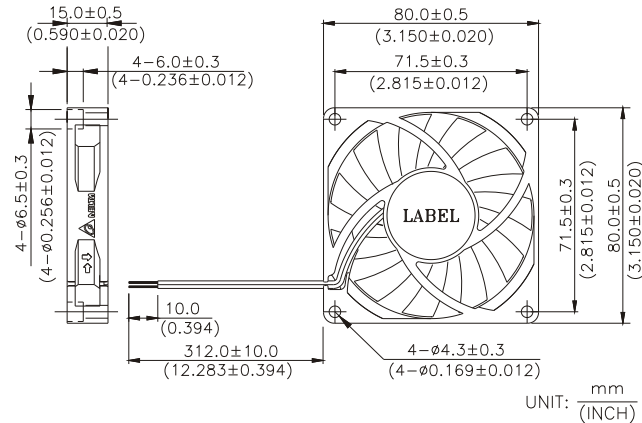


| MODEL | | Rated Voltage | Operating Voltage Range | Rated Current | Rated Input Power | Speed | Maximum Air Flow | | Maximum Air Pressure | | Noise |
|------------|-------------|---------------|-------------------------|---------------|-------------------|--------|---------------------|-------|----------------------|---------------------|-------|
| PART NO. | FUNCTION | VDC | VDC | Amp | Watt | R.P.M. | m ³ /min | CFM | mmH ₂ O | IN H ₂ O | dB-A |
| EFB0612LA | -R00 / -F00 | 12 | 7.0 to 13.8 | 0.07 | 0.84 | 3000 | 0.380 | 13.42 | 1.65 | 0.065 | 24.5 |
| EFB0612MA | -R00 / -F00 | 12 | 7.0 to 13.8 | 0.08 | 0.96 | 3600 | 0.440 | 15.54 | 2.40 | 0.094 | 29.0 |
| EFB0612HA | -R00 / -F00 | 12 | 7.0 to 13.8 | 0.12 | 1.44 | 4200 | 0.510 | 18.01 | 3.35 | 0.132 | 33.0 |
| EFB0612HHA | -R00 / -F00 | 12 | 7.0 to 13.8 | 0.18 | 2.16 | 4800 | 0.600 | 21.19 | 4.30 | 0.169 | 36.5 |

* Function type is optional.
 * The max. air flow and the speed are measured in free air ; max. air pressure is measured at zero air flow.
 * Noise is measured in anechoic chamber in free air, one meter from intake side.
 * All readings are typical values at rated voltage.
 * Specifications are subject to change without notice.
 * Both of the ball bearing and the 1 ball + 1 Sleeve type are available.

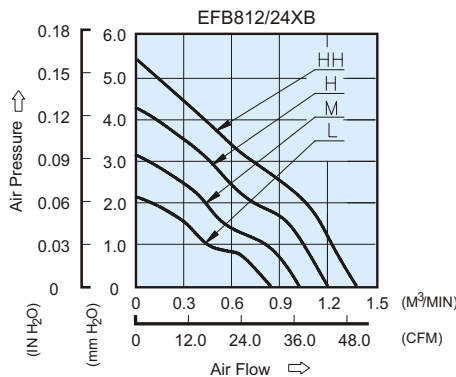
EFB 80 x 80 x 15 MM SERIES

DIMENSIONS DRAWING

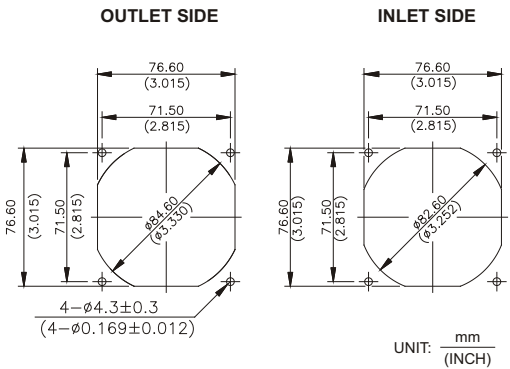


- * Bearing Type
Ball Bearings
- * Material
Impeller & Frame : Plastic(UL 94V-0)
- * Lead Wires :
UL 1007 AWG #24 OR Equivalent
Red Wire Positive(+)
Black Wire Negative(-)
- * Weight : 67g (2.36 OZ)
- * Rib Type Only

P & Q CURVE (AT RATED VOLTAGE)



MOUNTING PANEL CUTOUT

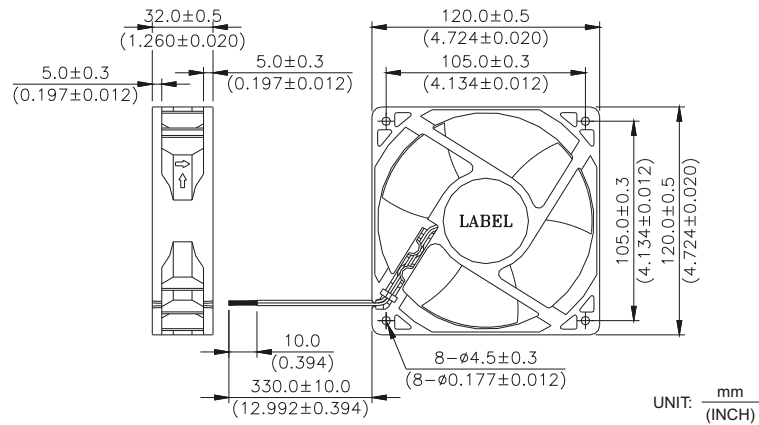


| MODEL | | Rated Voltage | Operating Voltage Range | Rated Current | Rated Input Power | Speed | Maximum Air Flow | | Maximum Air Pressure | | Noise |
|------------|-------------|---------------|-------------------------|---------------|-------------------|--------|------------------|-------|----------------------|---------------------|-------|
| PART NO. | FUNCTION | VDC | VDC | Amp | Watt | R.P.M. | m³/min | CFM | mmH ₂ O | IN H ₂ O | dB-A |
| EFB0812LB | -R00 / -F00 | 12 | 5.0 to 13.8 | 0.10 | 1.20 | 2300 | 0.839 | 29.62 | 1.71 | 0.067 | 30.0 |
| EFB0824LB | -R00 / -F00 | 24 | 14.0 to 27.6 | 0.08 | 1.92 | | | | | | |
| EFB0812MB | -R00 / -F00 | 12 | 5.0 to 13.8 | 0.13 | 1.56 | 2800 | 1.020 | 36.02 | 2.51 | 0.099 | 33.0 |
| EFB0824MB | -R00 / -F00 | 24 | 14.0 to 27.6 | 0.11 | 2.64 | | | | | | |
| EFB0812HB | -R00 / -F00 | 12 | 5.0 to 13.8 | 0.21 | 2.52 | 3300 | 1.200 | 42.37 | 3.42 | 0.134 | 37.0 |
| EFB0824HB | -R00 / -F00 | 24 | 14.0 to 27.6 | 0.14 | 3.36 | | | | | | |
| EFB0812HHB | -R00 / -F00 | 12 | 5.0 to 13.2 | 0.33 | 3.96 | 3800 | 1.382 | 48.80 | 4.35 | 0.171 | 41.0 |
| EFB0824HHB | -R00 / -F00 | 24 | 14.0 to 27.6 | 0.20 | 4.80 | | | | | | |

* Function type is optional.
 * The max. air flow and the speed are measured in free air ; max. air pressure is measured at zero air flow.
 * Noise is measured in anechoic chamber in free air, one meter from intake side.
 * All readings are typical values at rated voltage.
 * Specifications are subject to change without notice.
 * Both of the ball bearing and the 1 ball + 1 Sleeve type are available.

EFB 120 x 120 x 32 MM SERIES

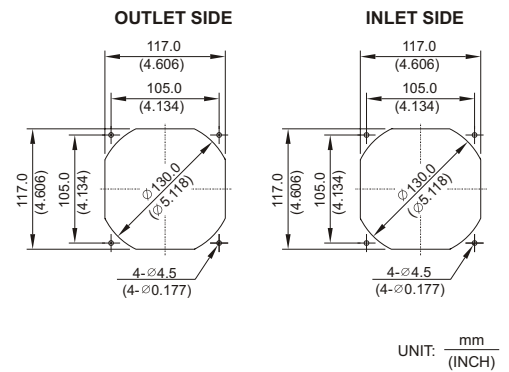
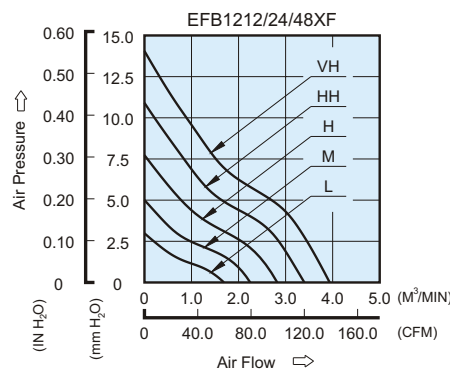
DIMENSIONS DRAWING



- * Bearing Type
Ball Bearings
- * Material
Impeller & Frame : Plastic (UL 94V-0)
- * Lead Wires :
UL 1007 AWG #24 OR Equivalent
Red Wire Positive (+)
Black Wire Negative (-)
- * Weight : 250g (8.82 oz)

P & Q CURVE (AT RATED VOLTAGE)

MOUNTING PANEL CUTOUT

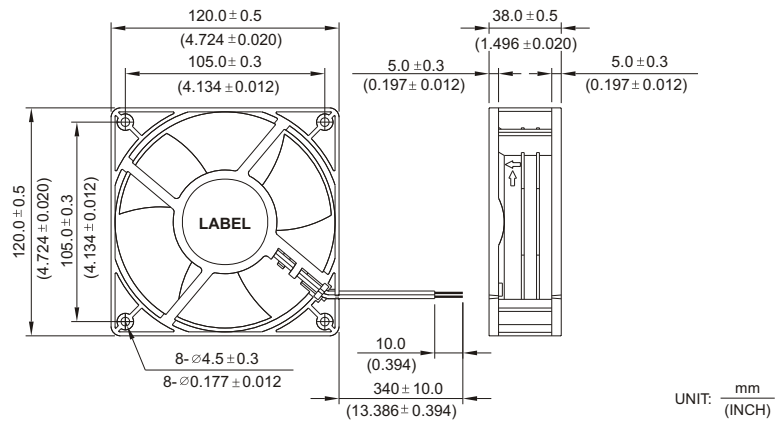
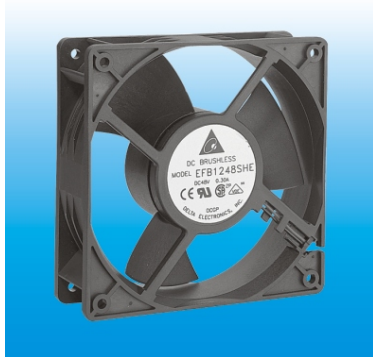


| MODEL | | Rated Voltage | Operating Voltage Range | Rated Current | Rated Input Power | Speed | Maximum Air Flow | | Maximum Air Pressure | | Noise |
|------------|-------------|---------------|-------------------------|---------------|-------------------|--------|---------------------|--------|----------------------|---------------------|-------|
| PART NO. | FUNCTION | VDC | VDC | Amp | Watt | R.P.M. | m ³ /min | CFM | mmH ₂ O | IN H ₂ O | dB-A |
| EFB1212LF | -R00 / -F00 | 12 | 4.0 to 13.8 | 0.13 | 1.56 | 1900 | 1.700 | 60.03 | 3.00 | 0.118 | 33.5 |
| EFB1224LF | -R00 / -F00 | 24 | 7.0 to 27.6 | 0.09 | 2.16 | | | | | | |
| EFB1248LF | -R00 / -F00 | 48 | 28.0 to 56.0 | 0.04 | 1.92 | | | | | | |
| EFB1212MF | -R00 / -F00 | 12 | 4.0 to 13.8 | 0.22 | 2.64 | 2500 | 2.270 | 80.16 | 5.00 | 0.197 | 40.5 |
| EFB1224MF | -R00 / -F00 | 24 | 7.0 to 27.6 | 0.13 | 3.12 | | | | | | |
| EFB1248MF | -R00 / -F00 | 48 | 28.0 to 56.0 | 0.07 | 3.36 | | | | | | |
| EFB1212HF | -R00 / -F00 | 12 | 4.0 to 13.8 | 0.32 | 3.84 | 3150 | 2.830 | 99.94 | 7.73 | 0.304 | 45.5 |
| EFB1224HF | -R00 / -F00 | 24 | 7.0 to 27.6 | 0.19 | 4.56 | | | | | | |
| EFB1248HF | -R00 / -F00 | 48 | 28.0 to 56.0 | 0.10 | 4.80 | | | | | | |
| EFB1212HHF | -R00 / -F00 | 12 | 4.0 to 13.8 | 0.51 | 6.12 | 3800 | 3.400 | 120.07 | 10.90 | 0.429 | 50.5 |
| EFB1224HHF | -R00 / -F00 | 24 | 7.0 to 27.6 | 0.28 | 6.72 | | | | | | |
| EFB1248HHF | -R00 / -F00 | 48 | 28.0 to 56.0 | 0.14 | 6.72 | | | | | | |
| EFB1212VHF | -R00 / -F00 | 12 | 4.0 to 13.2 | 0.74 | 8.88 | 4400 | 3.960 | 139.85 | 14.30 | 0.563 | 55.5 |
| EFB1224VHF | -R00 / -F00 | 24 | 7.0 to 26.4 | 0.40 | 9.60 | | | | | | |
| EFB1248VHF | -R00 / -F00 | 48 | 28.0 to 56.0 | 0.22 | 10.56 | | | | | | |

* Function type is optional.
 * The max. air flow and the speed are measured in free air ; max. air pressure is measured at zero air flow.
 * Noise is measured in anechoic chamber in free air, one meter from intake side.
 * All readings are typical values at rated voltage.
 * Specifications are subject to change without notice.

EFB 120 x 120 x 38 MM SERIES

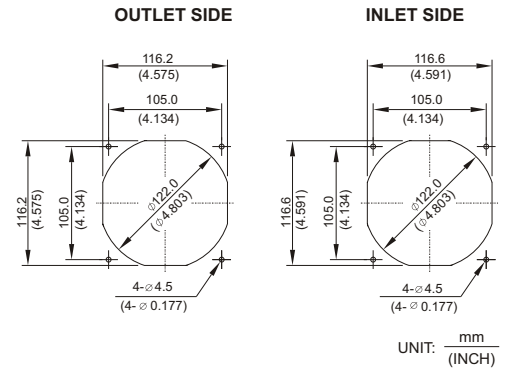
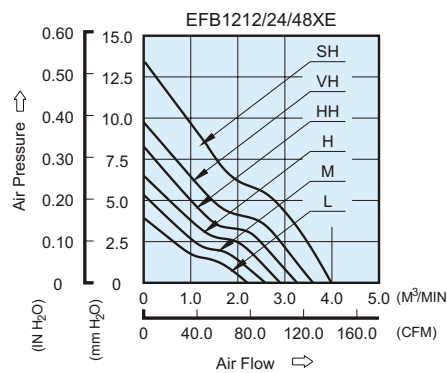
DIMENSIONS DRAWING



- * Bearing Type: Ball Bearings
- * Material: Impeller & Frame : Plastic (UL 94V-0)
- * Lead Wires : UL 1007 AWG #24 OR Equivalent Red Wire Positive (+) Black Wire Negative (-)
- * Weight : 290g (10.23 oz)

P & Q CURVE (AT RATED VOLTAGE)

MOUNTING PANEL CUTOUT

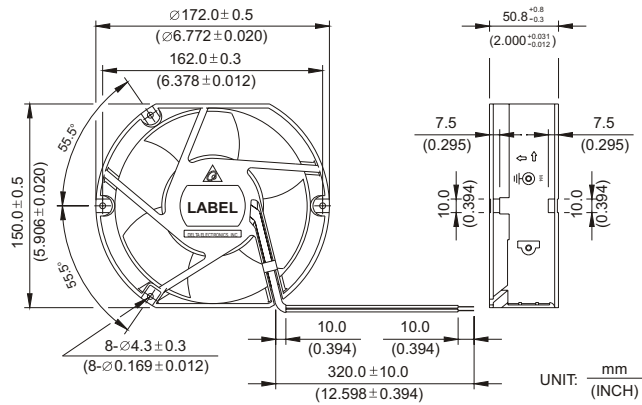


| MODEL | | Rated Voltage | Operating Voltage Range | Rated Current | Rated Input Power | Speed | Maximum Air Flow | | Maximum Air Pressure | | Noise |
|------------|-------------|---------------|-------------------------|---------------|-------------------|--------|----------------------|--------|----------------------|---------------------|-------|
| PART NO. | FUNCTION | VDC | VDC | Amp | Watt | R.P.M. | m ³ / min | CFM | mmH ₂ O | IN H ₂ O | dB-A |
| EFB1212LE | -R00 / -F00 | 12 | 4.0 to 13.2 | 0.16 | 1.92 | 2000 | 2.150 | 75.93 | 4.00 | 0.157 | 34.0 |
| EFB1224LE | -R00 / -F00 | 24 | 7.0 to 27.6 | 0.10 | 2.40 | | | | | | |
| EFB1248LE | -R00 / -F00 | 48 | 28.0 to 56.0 | 0.05 | 2.40 | | | | | | |
| EFB1212ME | -R00 / -F00 | 12 | 4.0 to 13.2 | 0.23 | 2.76 | 2300 | 2.500 | 88.29 | 5.21 | 0.205 | 38.0 |
| EFB1224ME | -R00 / -F00 | 24 | 7.0 to 27.6 | 0.14 | 3.36 | | | | | | |
| EFB1248ME | -R00 / -F00 | 48 | 28.0 to 56.0 | 0.06 | 2.88 | | | | | | |
| EFB1212HE | -R00 / -F00 | 12 | 4.0 to 13.2 | 0.27 | 3.24 | 2600 | 2.900 | 102.41 | 6.60 | 0.260 | 41.0 |
| EFB1224HE | -R00 / -F00 | 24 | 7.0 to 27.6 | 0.18 | 4.32 | | | | | | |
| EFB1248HE | -R00 / -F00 | 48 | 28.0 to 56.0 | 0.09 | 4.32 | | | | | | |
| EFB1212HHE | -R00 / -F00 | 12 | 4.0 to 13.2 | 0.39 | 4.68 | 2900 | 3.200 | 113.01 | 8.00 | 0.315 | 44.0 |
| EFB1224HHE | -R00 / -F00 | 24 | 7.0 to 27.6 | 0.20 | 4.80 | | | | | | |
| EFB1248HHE | -R00 / -F00 | 48 | 28.0 to 56.0 | 0.12 | 5.76 | | | | | | |
| EFB1212VHE | -R00 / -F00 | 12 | 4.0 to 13.2 | 0.48 | 5.76 | 3200 | 3.510 | 123.95 | 9.70 | 0.382 | 47.5 |
| EFB1224VHE | -R00 / -F00 | 24 | 7.0 to 27.6 | 0.27 | 6.48 | | | | | | |
| EFB1248VHE | -R00 / -F00 | 48 | 28.0 to 56.0 | 0.14 | 6.72 | | | | | | |
| EFB1212SHE | -R00 / -F00 | 12 | 4.0 to 13.2 | 0.80 | 9.60 | 3700 | 4.020 | 141.96 | 13.21 | 0.520 | 52.5 |
| EFB1224SHE | -R00 / -F00 | 24 | 7.0 to 27.6 | 0.44 | 10.56 | | | | | | |
| EFB1248SHE | -R00 / -F00 | 48 | 28.0 to 56.0 | 0.20 | 9.60 | | | | | | |

* Function type is optional.
 * The max. air flow and the speed are measured in free air ; max. air pressure is measured at zero air flow.
 * Noise is measured in anechoic chamber in free air, one meter from intake side.
 * All readings are typical values at rated voltage.
 * Specifications are subject to change without notice.

EFB 172 x 150 x 50.8 MM SERIES

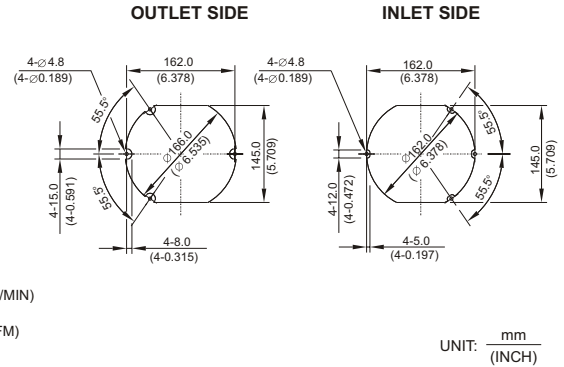
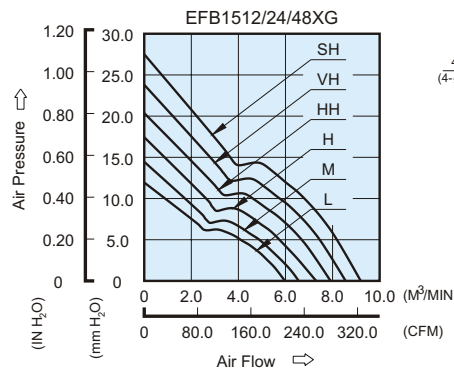
DIMENSIONS DRAWING



- * Bearing Type: Ball Bearings
- * Material: Impeller : Plastic (UL 94V-0), Frame : Die-Cast Aluminum
- * Lead Wires : UL 1007 AWG #24 OR Equivalent, Red Wire Positive (+), Black Wire Negative (-)
- * Weight : 840g (29.62 oz)

P & Q CURVE (AT RATED VOLTAGE)

MOUNTING PANEL CUTOUT

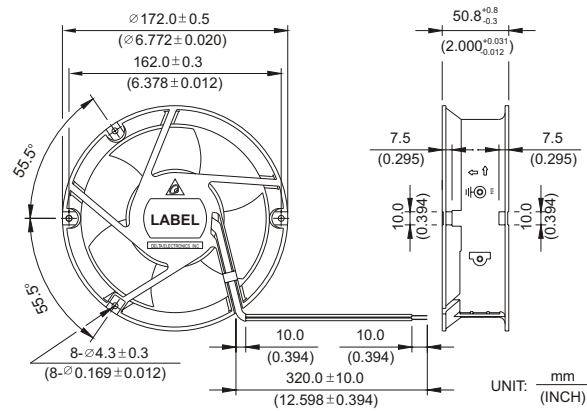


| MODEL | | Rated Voltage | Operating Voltage Range | Rated Current | Rated Input Power | Speed | Maximum Air Flow | | Maximum Air Pressure | | Noise |
|------------|-------------|---------------|-------------------------|---------------|-------------------|--------|---------------------|--------|----------------------|---------------------|-------|
| PART NO. | FUNCTION | VDC | VDC | Amp | Watt | R.P.M. | m ³ /min | CFM | mmH ₂ O | IN H ₂ O | dB-A |
| EFB1512LG | -R00 / -F00 | 12 | 8.0 to 14.0 | 0.79 | 9.48 | 2800 | 5.950 | 210.12 | 11.90 | 0.469 | 50.0 |
| EFB1524LG | -R00 / -F00 | 24 | 12.0 to 28.0 | 0.39 | 9.36 | | | | | | |
| EFB1548LG | -R00 / -F00 | 48 | 24.0 to 60.0 | 0.19 | 9.12 | | | | | | |
| EFB1512MG | -R00 / -F00 | 12 | 8.0 to 14.0 | 0.99 | 11.88 | 3050 | 6.520 | 230.25 | 14.50 | 0.571 | 52.0 |
| EFB1524MG | -R00 / -F00 | 24 | 12.0 to 28.0 | 0.47 | 11.28 | | | | | | |
| EFB1548MG | -R00 / -F00 | 48 | 24.0 to 60.0 | 0.25 | 12.00 | | | | | | |
| EFB1512HG | -R00 / -F00 | 12 | 8.0 to 14.0 | 1.35 | 16.20 | 3350 | 7.130 | 251.79 | 17.49 | 0.689 | 55.0 |
| EFB1524HG | -R00 / -F00 | 24 | 12.0 to 28.0 | 0.56 | 13.44 | | | | | | |
| EFB1548HG | -R00 / -F00 | 48 | 24.0 to 60.0 | 0.31 | 14.88 | | | | | | |
| EFB1512HHG | -R00 / -F00 | 12 | 8.0 to 14.0 | 1.79 | 21.48 | 3700 | 7.920 | 279.69 | 20.30 | 0.800 | 57.5 |
| EFB1524HHG | -R00 / -F00 | 24 | 12.0 to 28.0 | 0.77 | 18.48 | | | | | | |
| EFB1548HHG | -R00 / -F00 | 48 | 24.0 to 60.0 | 0.38 | 18.24 | | | | | | |
| EFB1524VHG | -R00 / -F00 | 24 | 12.0 to 28.0 | 0.97 | 23.28 | 4000 | 8.560 | 302.29 | 23.80 | 0.937 | 60.0 |
| EFB1548VHG | -R00 / -F00 | 48 | 24.0 to 60.0 | 0.49 | 23.52 | | | | | | |
| EFB1524SHG | -R00 / -F00 | 24 | 12.0 to 28.0 | 1.17 | 28.08 | 4300 | 9.203 | 325.00 | 27.5 | 1.083 | 63.0 |

* Function type is optional.
 * The max. air flow and the speed are measured in free air ; max. air pressure is measured at zero air flow.
 * Noise is measured in anechoic chamber in free air, one meter from intake side.
 * All readings are typical values at rated voltage.
 * Specifications are subject to change without notice.

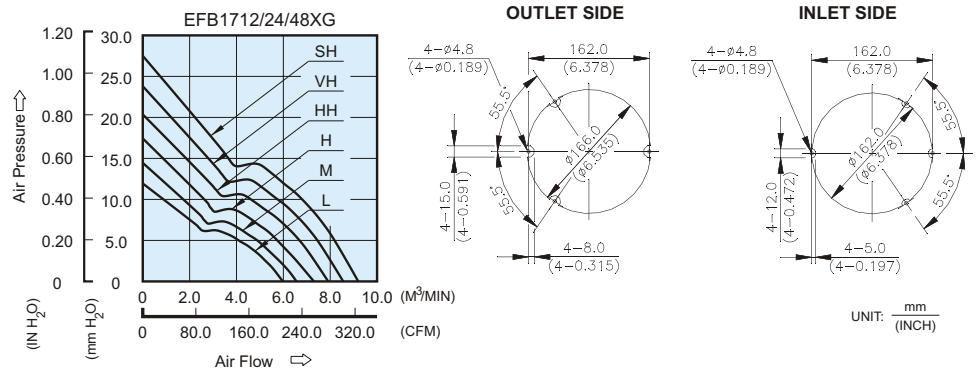
EFB $\varnothing 172 \times 50.8$ MM SERIES

DIMENSIONS DRAWING



- * Bearing Type: Ball Bearings
- * Material: Impeller : Plastic (UL 94V-0), Frame : Die-Cast Aluminum
- * Lead Wires : UL 1007 AWG #24 OR Equivalent, Red Wire Positive (+), Black Wire Negative (-)
- * Weight : 840g (29.62 oz)

P & Q CURVE (AT RATED VOLTAGE) ■ MOUNTING PANEL CUTOUT



| MODEL | | Rated Voltage | Operating Voltage Range | Rated Current | Rated Input Power | Speed | Maximum Air Flow | | Maximum Air Pressure | | Noise |
|------------|-------------|---------------|-------------------------|---------------|-------------------|--------|---------------------|--------|----------------------|---------------------|-------|
| PART NO. | FUNCTION | VDC | VDC | Amp | Watt | R.P.M. | m ³ /min | CFM | mmH ₂ O | IN H ₂ O | dB-A |
| EFB1712LG | -R00 / -F00 | 12 | 8.0 to 14.0 | 0.79 | 9.48 | 2800 | 5.950 | 210.12 | 11.90 | 0.469 | 48.0 |
| EFB1724LG | -R00 / -F00 | 24 | 12.0 to 28.0 | 0.39 | 9.36 | | | | | | |
| EFB1748LG | -R00 / -F00 | 48 | 24.0 to 60.0 | 0.19 | 9.12 | | | | | | |
| EFB1712MG | -R00 / -F00 | 12 | 8.0 to 14.0 | 0.99 | 11.88 | 3050 | 6.520 | 230.25 | 14.50 | 0.571 | 50.0 |
| EFB1724MG | -R00 / -F00 | 24 | 12.0 to 28.0 | 0.47 | 11.28 | | | | | | |
| EFB1748MG | -R00 / -F00 | 48 | 24.0 to 60.0 | 0.25 | 12.00 | | | | | | |
| EFB1712HG | -R00 / -F00 | 12 | 8.0 to 14.0 | 1.35 | 16.20 | 3350 | 7.130 | 251.79 | 17.49 | 0.689 | 53.0 |
| EFB1724HG | -R00 / -F00 | 24 | 12.0 to 28.0 | 0.56 | 13.44 | | | | | | |
| EFB1748HG | -R00 / -F00 | 48 | 24.0 to 60.0 | 0.31 | 14.88 | | | | | | |
| EFB1712HHG | -R00 / -F00 | 12 | 8.0 to 14.0 | 1.79 | 21.48 | 3700 | 7.920 | 279.69 | 20.30 | 0.800 | 55.0 |
| EFB1724HHG | -R00 / -F00 | 24 | 12.0 to 28.0 | 0.77 | 18.48 | | | | | | |
| EFB1748HHG | -R00 / -F00 | 48 | 24.0 to 60.0 | 0.38 | 18.24 | | | | | | |
| EFB1724VHG | -R00 / -F00 | 24 | 12.0 to 28.0 | 0.97 | 23.28 | 4000 | 8.560 | 302.29 | 23.80 | 0.937 | 57.0 |
| EFB1748VHG | -R00 / -F00 | 48 | 24.0 to 60.0 | 0.49 | 23.52 | | | | | | |
| EFB1724SHG | -R00 / -F00 | 24 | 12.0 to 28.0 | 1.17 | 28.08 | 4300 | 9.203 | 325.00 | 27.5 | 1.083 | 59.0 |

* Function type is optional.
 * The max. air flow and the speed are measured in free air ; max. air pressure is measured at zero air flow.
 * Noise is measured in anechoic chamber in free air, one meter from intake side.
 * All readings are typical values at rated voltage.
 * Specifications are subject to change without notice.