

600 Series

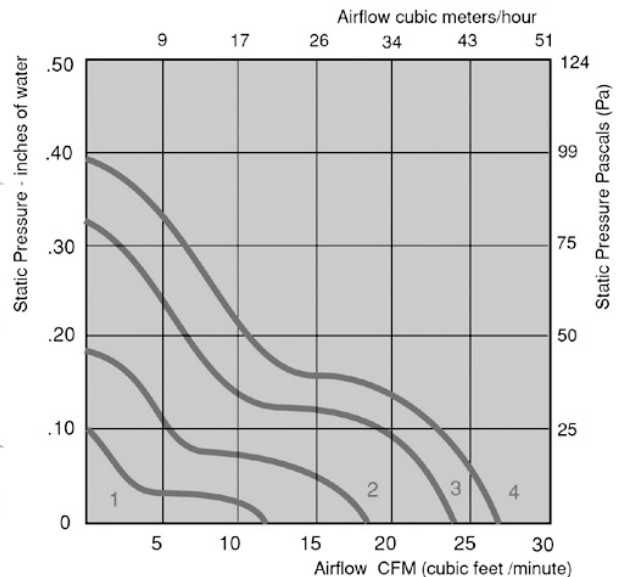
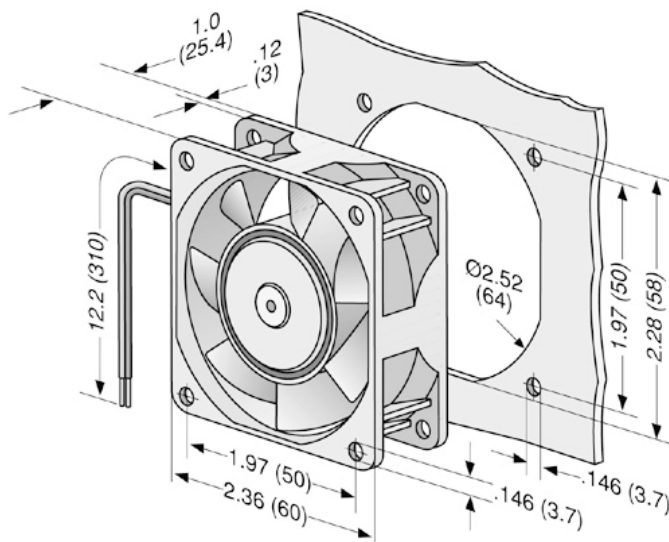
Tubeaxial

60x60x25mm



- DC fans with electronically commutated external rotor motor. Fully integrated commutation electronics.
- With electronic protection against reverse polarity, blocking and overloading by PTC-resistor; partially impedance protected.
- Mounting from either face using four 3.7 mm holes.
- Fan of fiberglass reinforced plastic. PBTP housing, PA impeller.
- Air exhaust over struts. Rotational direction CW looking at rotor.
- Electrical connection via 2 leads AWG 22, TR 64. Stripped and tinned ends.
- UL, CSA, VDE approvals on some models, please contact application engineering.

Part Number	CFM @ 0	Curve	Volts	Voltage Range	Power (W)	dBA	Max Ambient Temp C	Wgt. (lbs)	Type Of Bearing	Features
605L	12	1	5	4.5 to 6	0.8	26	65	0.19	Ball	Leads
612GL	12	1	12	6 to 15	1.0	24	65	0.19	Sintec	Leads
612L	12	1	12	6 to 15	0.7	26	65	0.19	Ball	Leads
612GM	18	2	12	6 to 15	1.3	32	65	0.19	Sintec	Leads
612M	18	2	12	6 to 15	1.3	33	65	0.19	Ball	Leads
612	24	3	12	6 to 15	2.5	40	65	0.19	Ball	Leads
612G	24	3	12	6 to 15	2.8	40	65	0.19	Sintec	Leads
614GL	12	1	24	12 to 30	1.2	24	65	0.19	Sintec	Leads
614L	12	1	24	12 to 30	0.8	26	65	0.19	Ball	Leads
614M	18	3	24	12 to 30	1.4	33	65	0.19	Ball	Leads
614	24	3	24	12 to 30	2.5	40	65	0.19	Ball	Leads
614G	24	3	24	12 to 30	2.9	40	65	0.19	Sintec	Leads
614S	24	3	24	12 to 30	2.5	40	65	0.19	Ball	Leads
614H	27	4	24	12 to 27	3.4	44	65	0.19	Ball	Leads



e-mail: sales@ebm.com • TEL: 860-674-1515 • FAX: 860-674-8536
 ebm Industries, Inc., 100 Hyde Road, Farmington, CT 06034 USA

ebm Industries, Inc., 2003 © ebm Industries, Inc. reserves the right to change any specifications or data without notice