



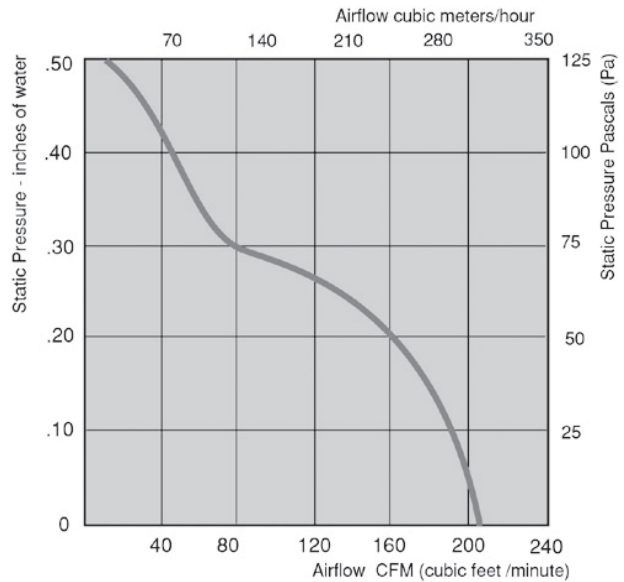
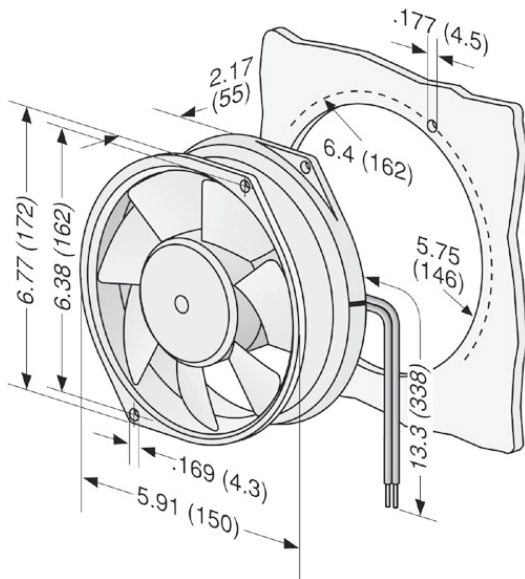
# W2G130 Series

Tubeaxial

Ø 150x55mm

- DC fans with electronically commutated external rotor motor. Fully integrated commutation electronics.
- With electronic protection against reverse polarity and locked-rotor.
- Mounting from either face using two 4.5 mm holes.
- Die-cast aluminum housing. Impeller of sheet-steel, directly welded on to rotor and stove-enameled in black.
- Air exhaust over struts. Rotational direction CCW looking at rotor.
- Connecting leads: red = +; blue = -
- UL, CSA, VDE approvals on some models, please contact application engineering.

Part Number	CFM @ D	VDC	Volt. Range	Power (W)	dB(A)	Max Amb. Temp C	Bearing Type	Features	Wgt. (lbs)
W2G130-AA31-01	203	12	6 to 16	14.0	51	60	Ball	Leads	2.19
W2G130-AA31-20	203	12	6 to 16	14.0	51	60	Ball	Leads	2.19
W2G130-AA33-01	203	24	18 to 30	14.0	51	60	Ball	Leads	2.19
W2G130-AA33-20	203	24	18 to 30	14.0	51	60	Ball	Leads	2.19
W2G130-AA09-01	203	48	36 to 56	14.0	51	60	Ball	Leads	2.19
W2G130-AA09-20	203	48	36 to 56	14.0	51	60	Ball	Leads	2.19



**ebmpapst**

e-mail: [sales@us.ebmpapst.com](mailto:sales@us.ebmpapst.com) · TEL: 860-674-1515 · FAX: 860-674-8536

ebm-papst Inc., 100 Hyde Road, Farmington, CT 06034 USA

ebm-papst Inc., 2004 © ebm-papst Inc. reserves the right to change any specifications or data without notice