



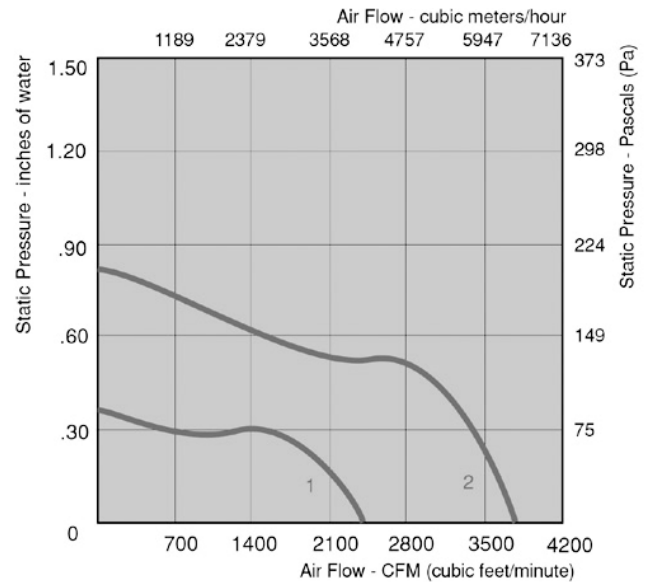
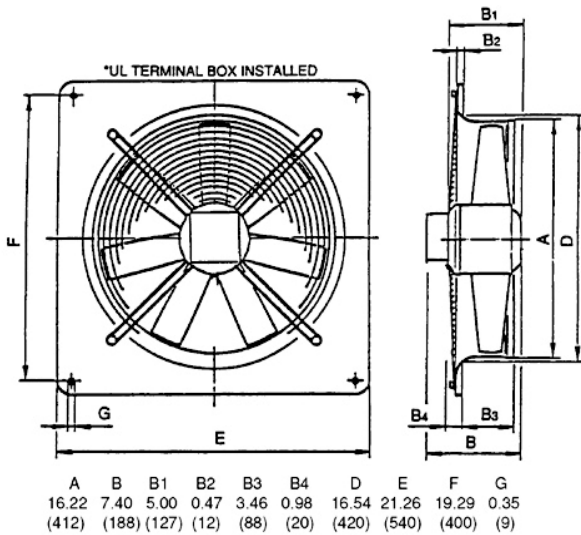
FC040 Series

Axial

Ø 412mm

- AC fans with external rotor motor. Blades permanently attached to the motor for optimum motor cooling and reliable long life operation.
- Cast aluminum blades, formed steel housing.
- Square mounting plate using four 9 mm holes. Ready to install.
- Electrical connection via cable or terminal box. Capacitor included.
- UL, CSA, VDE approvals on some models, please contact application engineering.

Part Number	CFM Curve @ 0	Curve	Volts	Hertz	Power (W)	dBA	Max Ambient Temp C	Wgt. (lbs)	Type Of Bearing	Features	Capacitor (µF)	Grill Position
FC040-6/202545	2460	1	115	50/60	180	66	50	20.0	Ball	Leads	12	Intake
FC040-4/202954	3830	2	115	60	360	75	40	20.0	Ball	Leads	25	Intake
FC040-6/105121	2460	1	230	50/60	180	66	50	20.0	Ball	Leads	4	Intake
FC040-4/202956	3830	2	230	60	370	75	40	20.0	Ball	Leads	6	Intake



e-mail: sales@ebm.com • TEL: 860-674-1515 • FAX: 860-674-8536
 ebm Industries, Inc., 100 Hyde Road, Farmington, CT 06034 USA

ebm Industries, Inc., 2003 © ebm Industries, Inc. reserves the right to change any specifications or data without notice