



Air moving solutions made simple



AC Fans
DC Fans



AC Blowers
DC Blowers



AC Impellers
DC Impellers



AC Motors



Accessories

Search

- Part/Model #
- Stock Check
- Cross-Reference
- Keyword

More Products

- Heat Sinks
- Fan Accessories
- Engineering Tools
- Airflow Calculator
- Thermal Calculator
- Unit Conversions
- Application Notes
- Custom Solutions
- Company Info
- Contact Info
- Technical Capability
- Certifications
- Terms & Conditions
- Employment Ops

Gateway Online

Phone: 858.348.6200 FAX: 858.566.4577

[Distributors](#)

[Find a Rep](#)

[Contact Us](#)

Patriot AC - PT2B3 - 028254

(Family) (Model) (Part Number)

Electrical Specifications

| | |
|----------------------|------------|
| Rated Voltage: | 115 VAC |
| AC Frequency: | 60 Hz |
| Power Supply: | 31.0 Watts |
| Line Current: | 0.26 Amps |
| Locked Rotor Current | 0.49 Amps |
| Nominal Speed: | 3400 RPM |

Mechanical Specifications

| | |
|-------------------------------------|---------------------------|
| Dimensions: | 6.77in x 2.01in |
| Weight | 29.4 oz |
| Max Airflow @ 0 in H ₂ O | 230.0 CFM |
| Max Pressure @ 0 CFM | 0.772 in H ₂ O |
| Noise | 54.0 dBA |

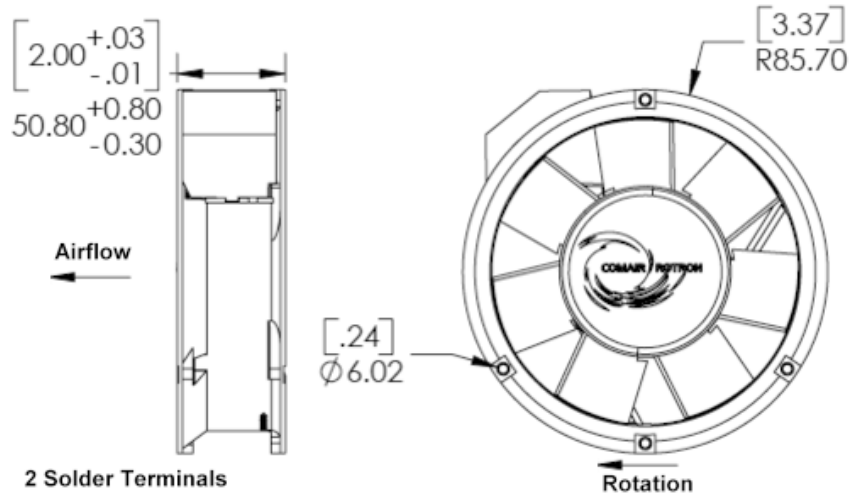
Mechanical Drawing



Detailed Drawing



Printer-Friendly Datasheet

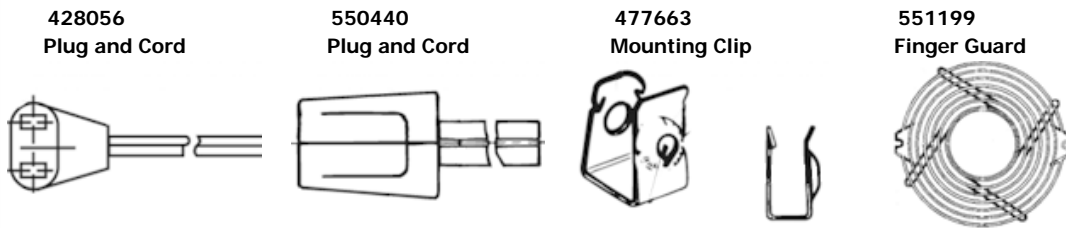


Options

| Part Number | Model Number | Bearing Type | Fan Rotation | Termination | In-Stock <small>(Click 'Yes' for current stock)</small> |
|-------------|--------------|--------------|--------------|-----------------------------|--|
| 028864 | PT2B2 | Ball | Normal | 0.187 Terminals, No Venturi | No |
| 028254 | PT2B3 | Ball | Normal | 0.110 Terminals | Yes |
| 032250 | PT2B6 | Ball | Normal | 12 in Leads | No |

<<< Select the fan with desired options, then press the [Update Datasheet](#) button.

Accessories (Click on part number for detailed drawing.)



Comair Rotron, Inc.

Phone: 858.348.6200
FAX: 858.566.4577
sales@comairrotron.com

ThermaFlo, Inc.

Phone: 972.312.8609
FAX: 972.312.8617
info@thermaflo.com

Comair Rotron Europe, Ltd.

Phone: +44.1527.520525
FAX: +44.1527.520565
saleseurope@comairrotron.com

Comair Rotron Fan Company Ltd.

Phone: +86.21.52260581
FAX: +86.21.52260597
salesasia@comairrotron.com