

DC Fan Motors

# San Ace □ 80mm



“San Ace 80” G Type (High wind capacity type)



**General specifications**

- Life expectancy .....40,000hours  
(Survival rate 90% at 60°C, rated voltage and continuously run in a free air state)
- Motor protection system ....Current cut system (with reverse connection protection)
- Dielectric strength .....50/60Hz, 500VAC, 1 minute (Between Lead conductor and frame)
- Operating thermally range .....-10°C to +70°C (Non-condensing)
- Fan lead wires .....UL1007 AWG#24    ⊕Red    ⊖Black

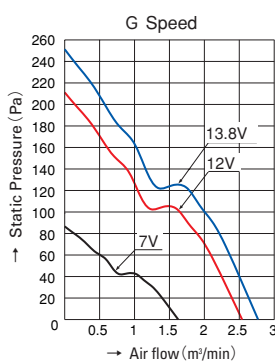
## 38mm thick

**Specifications**

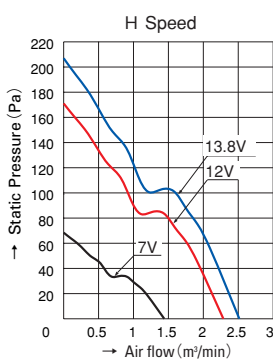
Model No	Rated voltage (V)	Operating voltage range (V)	Rated current (A)	Rated input (W)	Rated rotating speed (min <sup>-1</sup> )	Air flow (m <sup>3</sup> /min)	(CFM)	Static pressure (Pa)	Noise (dB[A])	Mass (g)
<b>9G0812G102(1021)</b>	12	7~13.8	1.1	13.2	6,300	2.55	90	211	51	170
<b>9G0812H102(1021)</b>			0.9	10.8	5,700	2.28	80	171	49	
<b>9G0824G102(1021)</b>	24	20.4~27.6	0.56	13.4	6,300	2.55	90	211	51	
<b>9G0824H102(1021)</b>			0.42	10.1	5,700	2.28	80	171	49	
<b>9G0848G102(1021)</b>	48	40.8~55.2	0.27	13.0	6,300	2.55	90	211	51	
<b>9G0848H102(1021)</b>			0.20	9.6	5,700	2.28	80	171	49	

The numbers in ( ) represent ribless models.

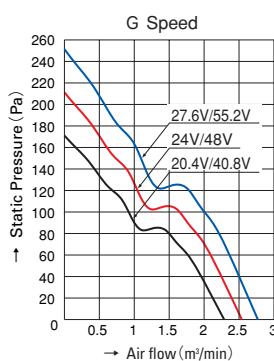
**Typical air flow and static pressure characteristics**



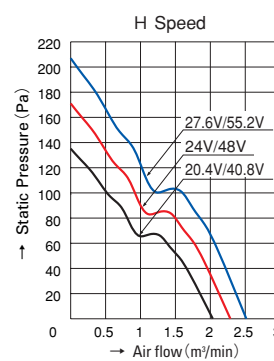
9G0812G102



9G0812H102



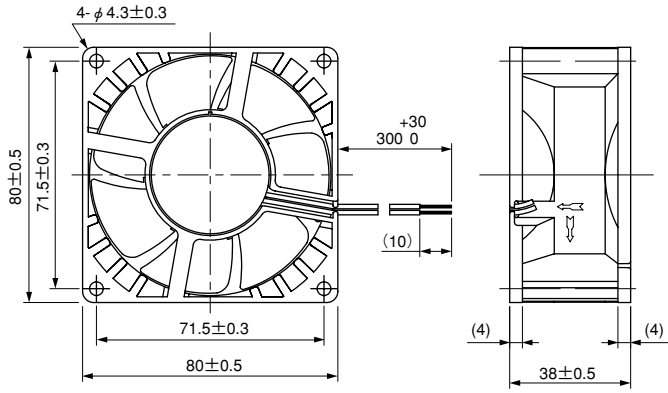
9G0824G102  
9G0848G102



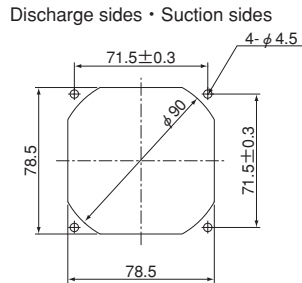
9G0824H102  
9G0848H102

80mm

## Dimensions (unit : mm)



## Reference dimensional diagram for installation holes (unit : mm)



80mm

## Notice

- The products shown in the catalog are subject to Japanese Export Control Law. Diversion contrary to the law of exporting country is prohibited.
- To protect against electrolytic cooling corrosion that may occur in locations of strong electromagnetic noise, we provide fans that are unaffected by electrolytic corrosion. Alternative measures to protect against electrolytic corrosion may include metallic finger guards or other metallic attachments. Please contact us for details.

# SANYO DENKI