

40mm sq.

San Ace 40L

28mm thick



General Specifications With a pulse sensor

- Material Frame: Aluminum, Impeller: Plastics (Flammability: UL94V-0)
- Life Expectancy Varies for each model (L10: Survival rate: 90% at 60°C, rated voltage, and continuously run in a free air state)
- Lead Wire ⊕ red ⊖ black (Sensor) yellow
- Storage Temperature -30°C to +70°C (Non-condensing)

40×40×28mm (Mass : 55g)

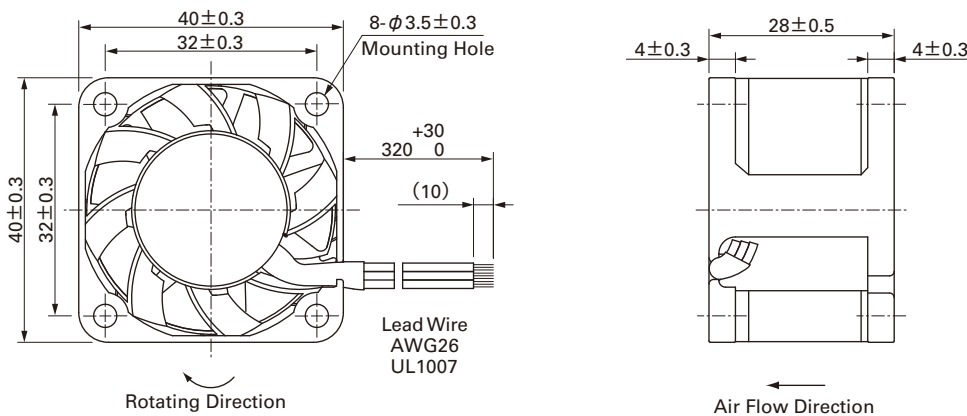


Specifications

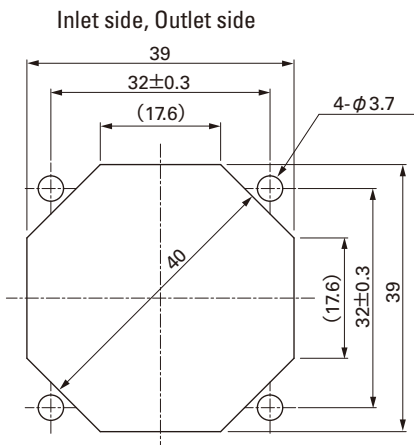
Model No.	Rated Voltage [V]	Operating Voltage Range [V]	Rated Current [A]	Rated Input [W]	Rated Speed [min ⁻¹]	Air Flow [m ³ /min] [CFM]		Static Pressure [Pa] [inchH ₂ O]		SPL [dB(A)]	Operating Temperature [°C]	Life Expectancy [h]
9L0412J301	12	10.2 to 13.8	0.31	3.72	11,700	0.52	18.4	206	0.827	48	-10 to +70	100,000
9L0412H301			0.15	1.80	8,400	0.37	13.1	106	0.426	40		
9L0412M301			0.045	0.54	4,000	0.16	5.65	24	0.096	19		

Without Sensor **Pulse Sensor** Available in all models. **Lock Sensor** Please inquire as the availability of these functions depend on the model.

Dimensions (Unit : mm)



Reference dimension of mounting holes and vent opening (Unit : mm)



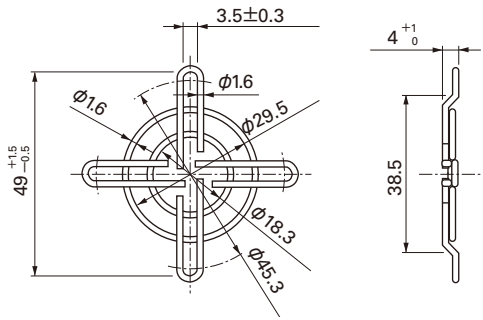
Options (Unit : mm)

Finger guards

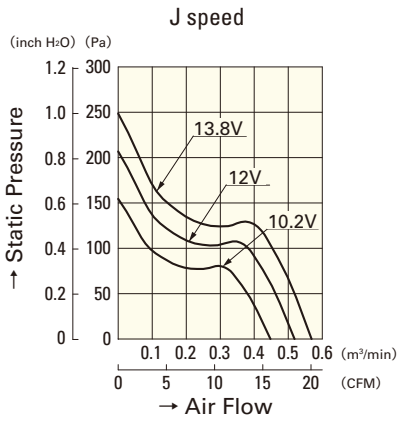
Model : 109-059 Surface treatment : Nickel-chrome plating (silver) Color

Color

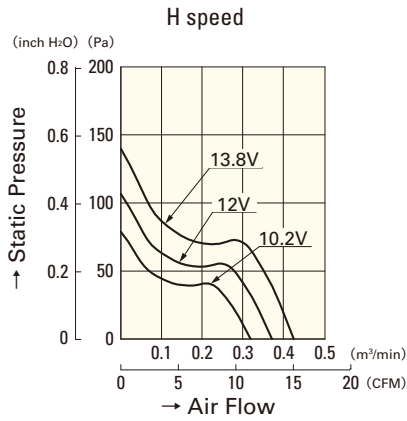
Inlet side, Outlet side



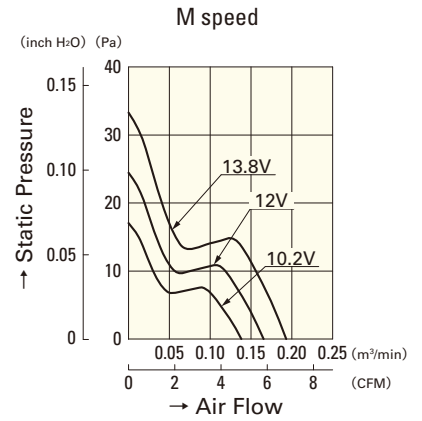
Air Flow and Static Pressure Characteristics



9L0412J301



9L0412H301



9L0412M301