



Air moving solutions made simple



AC Fans
DC Fans



AC Blowers
DC Blowers



AC Impellers
DC Impellers



AC Motors



Accessories

Search

Part/Model #
Stock Check
Cross-Reference
Keyword

More Products

Heat Sinks
Fan Accessories
Engineering Tools
Airflow Calculator
Thermal Calculator
Unit Conversions
Application Notes
Custom Solutions
Company Info
Contact Info
Technical Capability
Certifications
Terms & Conditions
Employment Ops

Gateway Online

Phone: 858.348.6200 FAX: 858.566.4577

Distributors

Find a Rep

Contact Us

Flight II 90 - FN48B3 - 031392 - Yes
(Family) (Model) (Part #) (In Stock)

Electrical Specifications

Operating Voltage:	48 Volts
Voltage Range:	24 - 56 Volts
Power Supply:	2.9 Watts
Line Current:	0.07 Amps
Locked Rotor Current	0.17 Amps
Nominal Speed:	2850 RPM

Mechanical Specifications

Dimensions:	3.6 x 3.6 x 1.0 in
Weight	7.1 oz
Max Airflow @ 0 in H₂O	45.0 CFM
Max Pressure @ 0 CFM	0.182 in H₂O
Noise	38.1 dBA

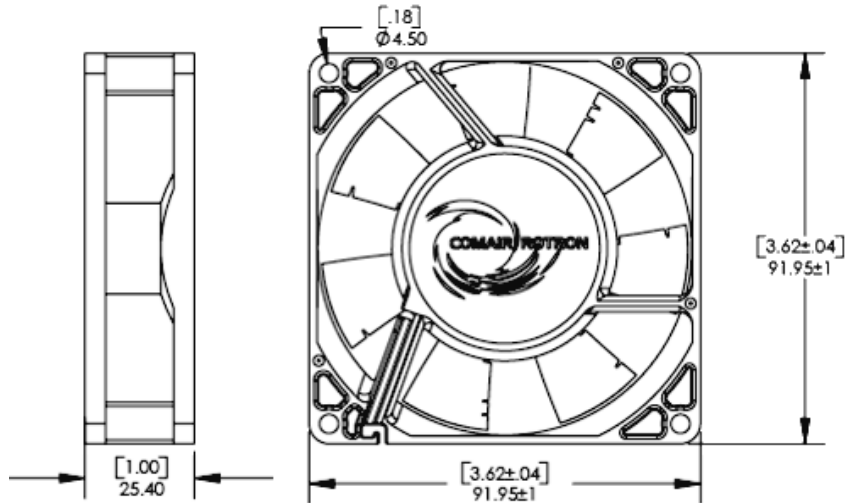


Detailed Drawing



Printer-Friendly Datasheet

Mechanical Drawing



Fan Performance Curve

Fan Configuration Options

Flight II 90 (Family)	-	FN48B3 (Model)	-	031392 (Part #)	-	Yes (In Stock)
Fan Speed Options		Fan Bearing Options		Fan Airflow Direction Options		Fan Termination Options
High Speed (3700 RPM)		Ball Bearings		Flow L (CW Rotation)		Leads
Full Speed (2850 RPM)		Sleeve Bearings		Flow R (CCW Rotation)		Terminals

Fan Monitoring Options

- No Fan Monitoring Options Required
- Add Tachometer (2 pulses per revolution.)
- Add Fan Performance Sensor (FPS)

Fan Speed Control Options

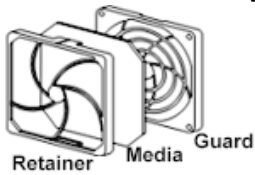
- Add ThermaPro-V Fan Speed Control

Environmental Protection Options

Add Enviroshield Environmental Protection

Accessories (Click on part number for detailed drawing.)

557218
Filter Guard Assembly



554172
Finger Guard



Comair Rotron, Inc.

Phone: 858.348.6200

FAX: 858.566.4577

sales@comairrotron.com

ThermaFlo, Inc.

Phone: 972.312.8609

FAX: 972.312.8617

info@thermaflo.com

Comair Rotron Europe, Ltd.

Phone: +44.1527.520525

FAX: +44.1527.520565

saleseurope@comairrotron.com

Comair Rotron Fan Company Ltd.

Phone: +86.21.52260581

FAX: +86.21.52260597

salesasia@comairrotron.com