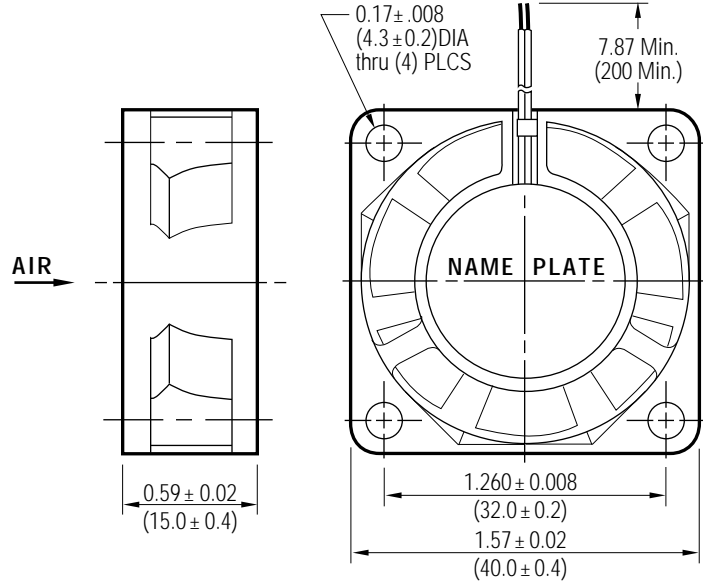


DC 1606KL SERIES FAN

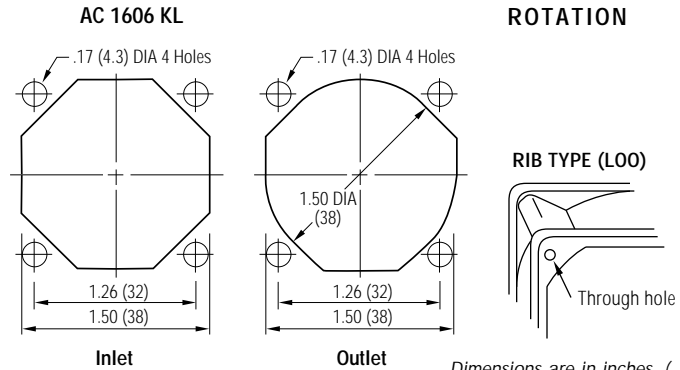


FEATURES:

- Size 1.57 in sq. X 0.59 in (40mm sq. X 15mm)
- Airflow 6 - 8 CFM
- Weight 0.71 oz (20g)
- Noise 28 - 34 dBA
- Lead Wire AWG 26, Red/Black, UL1061

Impeller and Venturi UL94V-0 Reinforced plastic

† Non-stock item, may be subject to lead time



Dimensions are in inches. () are in millimeters

MODEL	VOLTAGE (V)	RANGE (V)	POWER (W)	CURRENT (mA)	SPEED (RPM)	NOISE (dBA)	NOISE NPEL (BELS)				PRESSURE (in H ₂ O)	AIRFLOW (CFM)	WEIGHT (gm)
							100%	80%	60%	20%			
1606KL-04W-B30-L00	12	10.2-13.8	0.80	67	6000	28	4.52	4.69	4.85	5.02	0.15	6	20
B40-L00 †	12	10.2-13.8	0.90	75	7000	31	4.88	5.10	5.24	5.41	0.19	7	20
B50-L00	12	10.2-13.8	1.02	85	8000	34	4.96	5.20	5.47	5.61	0.25	8	20
1606KL-05W-B30-L00	24	22-25.2	1.08	45	6000	28	4.52	4.69	4.85	5.02	0.15	6	20
B40-L00 †	24	22-25.2	1.296	54	7000	31	4.88	5.10	5.24	5.41	0.19	7	20
B50-L00	24	22-25.2	1.488	62	8000	34	4.96	5.20	5.47	5.61	0.25	8	20

