

Search

[Part/Model #](#)
[Stock Check](#)
[Cross-Reference](#)
[Keyword](#)

More Products

- [Heat Sinks](#)
- [Fan Accessories](#)
- [Engineering Tools](#)
- [Airflow Calculator](#)
- [Thermal Calculator](#)
- [Unit Conversions](#)
- [Application Notes](#)
- [Custom Solutions](#)
- [Company Info](#)
- [Contact Info](#)
- [Technical Capability](#)
- [Certifications](#)
- [Terms & Conditions](#)
- [Employment Ops](#)

[Gateway Online](#)

Phone: 858.348.6200

[Distributors](#)

[Find a Rep](#)

[Contact Us](#)

Diplomat - DDE983524Z1E - 040975 - No
 (Family) (Model) (Part #) (In Stock)



Electrical Specifications

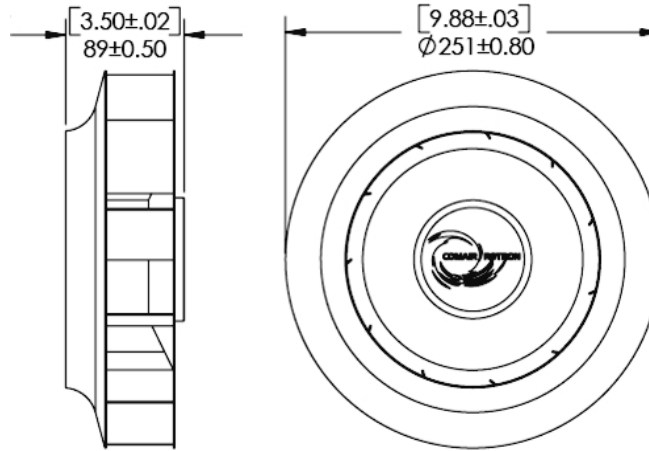
Operating Voltage:	24 Volts
Voltage Range:	16 - 32 Volts
Power Supply:	216.0 Watts
Line Current:	9.00 Amps
Locked Rotor Current	10.00 Amps
Nominal Speed:	3240 RPM

Mechanical Specifications

Dimensions:	9.8 x 9.8 x 3.5 in
Weight	56.4 oz
Max Airflow @ 0 in H ₂ O	1005.0 CFM
Max Pressure @ 0 CFM	3.720 in H ₂ O
Noise	n/a



Mechanical Drawing



Impeller Performance Curve

Impeller Configuration Options

Diplomat DDE983524Z1E / 040975 No 305 mm [12 inch] Leads
 (Family) (Model) (Part #) (In Stock) (Features)

Impeller Speeds	Impeller Bearings	Impeller Airflow Directions	Impeller Terminations
Extra - High Speed (3240 RPM)	Ball Bearings	Centrifugal (CW Rotation)	Leads
Full Speed (2300 RPM)	Sleeve Bearings	Centrifugal (CCW Rotation)	Terminals

Impeller Monitoring Options

[No Impeller Tachometer/Alarm Options Required](#)

[Add Tachometer](#)

TTL (+5V) Output (1 Pulse/Rev)	Open Collector Output (1 Pulse/Rev)
TTL (+5V) Output (2 Pulses/Rev)	Open Collector Output (2 Pulses/Rev)
TTL (+5V) Output (3 Pulses/Rev)	Open Collector Output (3 Pulses/Rev)
+12V Output (2 Pulses/Rev)	Optically Isolated Output (2 Pulses/Rev)

Existing Models with Tachometer Option:

- [DD983524B1A / 039876](#)
 [DD983524B1A2 / 040262](#)
 [DD983524B1T2E2 / 040462](#)
 [DDE983524Z1E / 040975](#)
[DDE983524Z1E2 / 040981](#)

[Add Impeller Alarm Option](#)

Impeller Speed Control Options

[Add Impeller Speed Control Option](#)

Environmental Protection Options

[Add Enviroshield Environmental Protection](#)