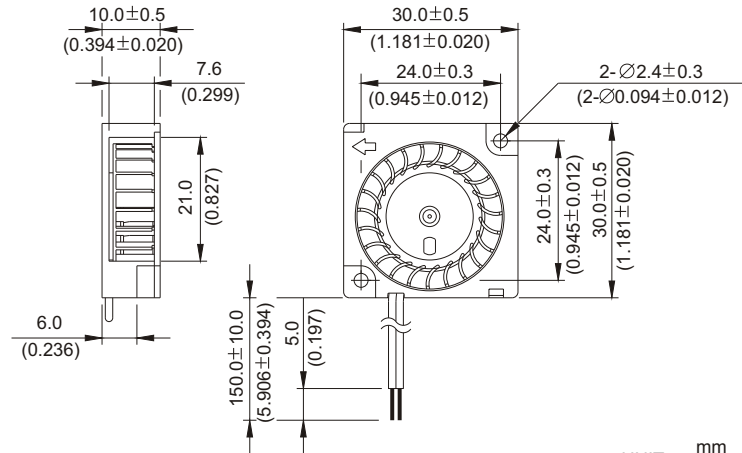
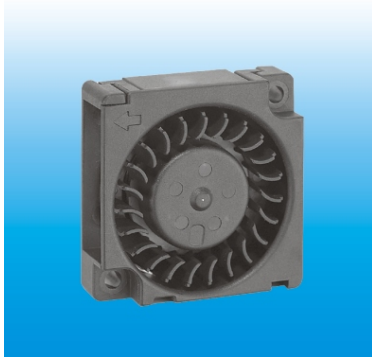


BFB 30 x 30 x 10 MM SERIES

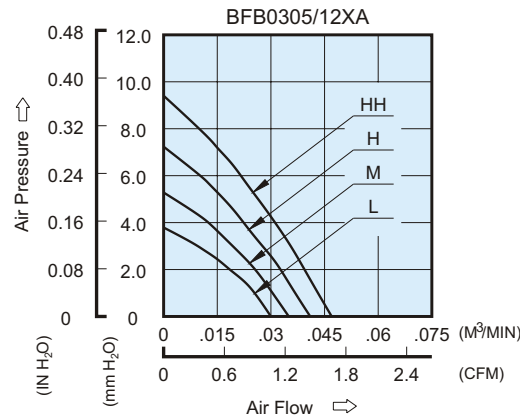
DIMENSIONS DRAWING



UNIT: $\frac{\text{mm}}{\text{(INCH)}}$

- * Bearing Type
Ball Bearings
- * Material
Impeller & Frame : Plastic (UL 94V-0)
- * Lead Wires :
UL 1571 AWG #28 OR Equivalent
Red Wire Positive (+)
Black Wire Negative (-)
- * Weight : 10g (0.35 oz)

P & Q CURVE (AT RATED VOLTAGE)

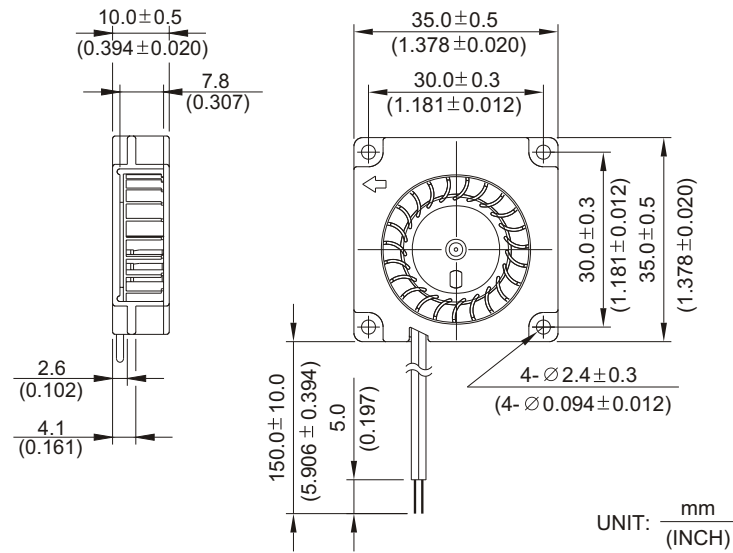
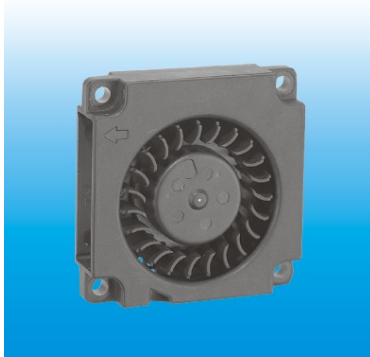


| MODEL | | Rated Voltage | Operating Voltage Range | Rated Current | Rated Input Power | Speed | Maximum Air Flow | | Maximum Air Pressure | | Noise |
|------------|------------|---------------|-------------------------|---------------|-------------------|--------|---------------------|------|----------------------|---------------------|-------|
| PART NO. | FUNCTION | VDC | VDC | Amp | Watt | R.P.M. | m ³ /min | CFM | mmH ₂ O | IN H ₂ O | dB-A |
| BFB0305LA | / -F00 | 5 | 4.0 to 6.0 | 0.06 | 0.30 | 5500 | 0.030 | 1.06 | 3.66 | 0.144 | 24.0 |
| BFB0312LA | -R00/ -F00 | 12 | 7.0 to 13.2 | 0.04 | 0.48 | | | | | | |
| BFB0305MA | / -F00 | 5 | 4.0 to 6.0 | 0.08 | 0.40 | 6500 | 0.035 | 1.24 | 5.23 | 0.206 | 26.0 |
| BFB0312MA | -R00/ -F00 | 12 | 7.0 to 13.2 | 0.05 | 0.60 | | | | | | |
| BFB0305HA | / -F00 | 5 | 4.0 to 6.0 | 0.11 | 0.55 | 7500 | 0.041 | 1.45 | 7.24 | 0.285 | 29.0 |
| BFB0312HA | -R00/ -F00 | 12 | 7.0 to 13.2 | 0.07 | 0.84 | | | | | | |
| BFB0305HHA | / -F00 | 5 | 4.0 to 6.0 | 0.17 | 0.85 | 8500 | 0.047 | 1.66 | 9.40 | 0.370 | 31.0 |
| BFB0312HHA | -R00/ -F00 | 12 | 7.0 to 13.2 | 0.08 | 0.96 | | | | | | |

* Function type is optional.
 * The max. air flow and the speed are measured in free air ; max. air pressure is measured at zero air flow.
 * Noise is measured in anechoic chamber in free air, one meter from intake side.
 * All readings are typical values at rated voltage.
 * Specifications are subject to change without notice.

BFB 35 x 35 x 10 MM SERIES

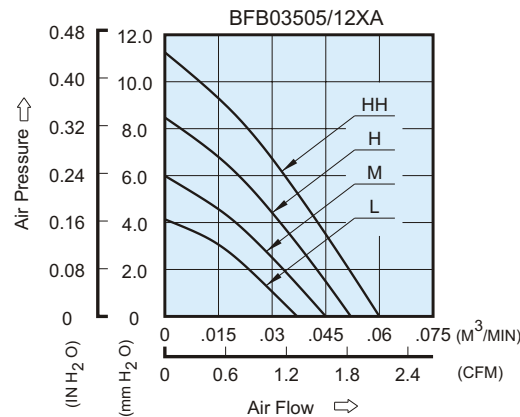
DIMENSIONS DRAWING



UNIT: $\frac{\text{mm}}{(\text{INCH})}$

- * Bearing Type
Ball Bearings
- * Material
Impeller & Frame : Plastic (UL 94V-0)
- * Lead Wires :
UL 1571 AWG #28 OR Equivalent
Red Wire Positive (+)
Black Wire Negative (-)
- * Weight : 11g (0.39 oz)

P & Q CURVE (AT RATED VOLTAGE)

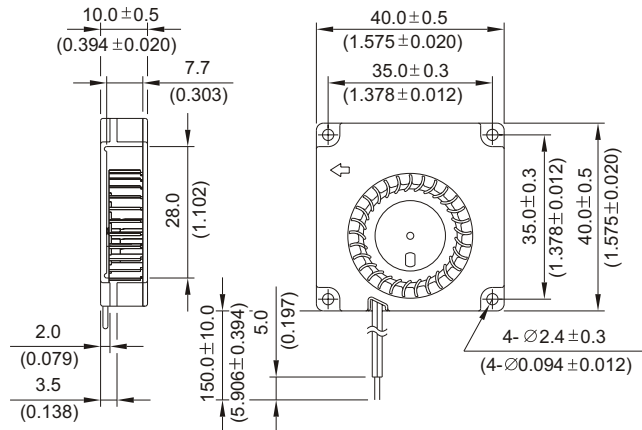
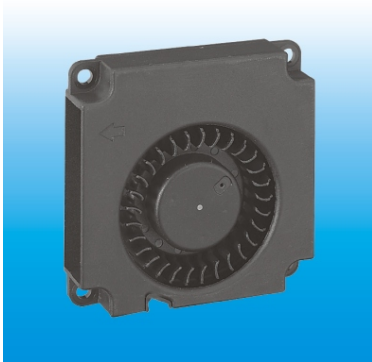


| MODEL | | Rated Voltage | Operating Voltage Range | Rated Current | Rated Input Power | Speed | Maximum Air Flow | | Maximum Air Pressure | | Noise |
|-------------|------------|---------------|-------------------------|---------------|-------------------|--------|---------------------|------|----------------------|---------------------|-------|
| PART NO. | FUNCTION | VDC | VDC | Amp | Watt | R.P.M. | m ³ /min | CFM | mmH ₂ O | IN H ₂ O | dB-A |
| BFB03505LA | / -F00 | 5 | 4.0 to 6.0 | 0.05 | 0.25 | 5500 | 0.038 | 1.34 | 4.14 | 0.163 | 24.0 |
| BFB03512LA | -R00/ -F00 | 12 | 7.0 to 13.2 | 0.04 | 0.48 | | | | | | |
| BFB03505MA | / -F00 | 5 | 4.0 to 6.0 | 0.08 | 0.40 | 6500 | 0.045 | 1.59 | 6.00 | 0.236 | 26.0 |
| BFB03512MA | -R00/ -F00 | 12 | 7.0 to 13.2 | 0.05 | 0.60 | | | | | | |
| BFB03505HA | / -F00 | 5 | 4.0 to 6.0 | 0.11 | 0.55 | 7500 | 0.052 | 1.84 | 8.50 | 0.335 | 29.0 |
| BFB03512HA | -R00/ -F00 | 12 | 7.0 to 13.2 | 0.07 | 0.84 | | | | | | |
| BFB03505HHA | / -F00 | 5 | 4.0 to 6.0 | 0.19 | 0.95 | 8500 | 0.060 | 2.12 | 11.25 | 0.443 | 31.0 |
| BFB03512HHA | -R00/ -F00 | 12 | 7.0 to 13.2 | 0.08 | 0.96 | | | | | | |

* Function type is optional.
 * The max. air flow and the speed are measured in free air ; max. air pressure is measured at zero air flow.
 * Noise is measured in anechoic chamber in free air, one meter from intake side.
 * All readings are typical values at rated voltage.
 * Specifications are subject to change without notice.

BFB 40 x 40 x 10 MM SERIES

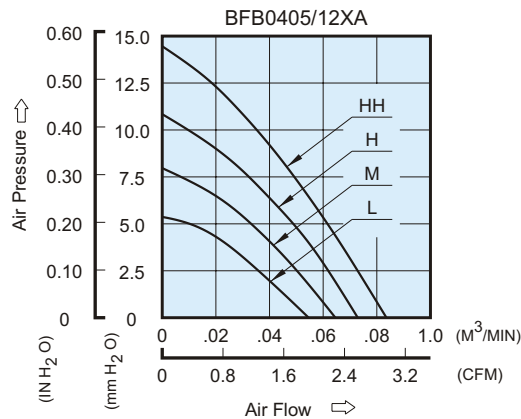
DIMENSIONS DRAWING



UNIT: $\frac{\text{mm}}{\text{(INCH)}}$

- * Bearing Type
Ball Bearings
- * Material
Impeller & Frame : Plastic (UL 94V-0)
- * Lead Wires :
UL 1571 AWG #28 OR Equivalent
Red Wire Positive (+)
Black Wire Negative (-)
- * Weight : 12g (0.42 oz)

P & Q CURVE (AT RATED VOLTAGE)

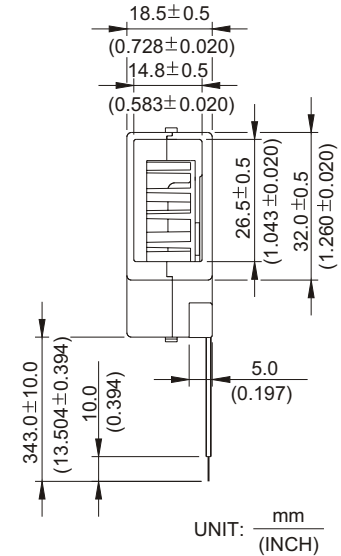
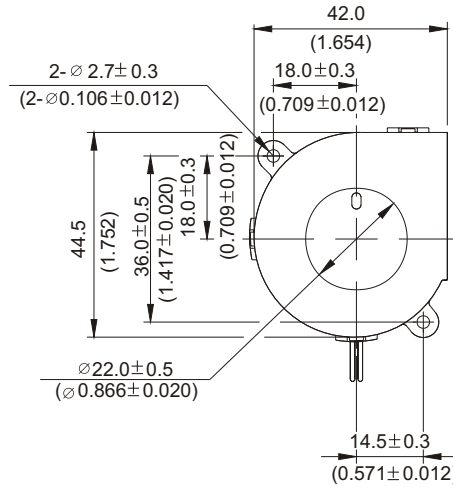


| MODEL | | Rated Voltage | Operating Voltage Range | Rated Current | Rated Input Power | Speed | Maximum Air Flow | | Maximum Air Pressure | | Noise |
|------------|-------------|---------------|-------------------------|---------------|-------------------|--------|---------------------|------|----------------------|---------------------|-------|
| PART NO. | FUNCTION | VDC | VDC | Amp | Watt | R.P.M. | m ³ /min | CFM | mmH ₂ O | IN H ₂ O | dB-A |
| BFB0405LA | / -F00 | 5 | 4.0 to 6.0 | 0.07 | 0.35 | 5500 | 0.055 | 1.94 | 5.37 | 0.211 | 28.0 |
| BFB0412LA | -R00 / -F00 | 12 | 7.0 to 13.2 | 0.05 | 0.60 | | | | | | |
| BFB0405MA | / -F00 | 5 | 4.0 to 6.0 | 0.11 | 0.55 | 6500 | 0.065 | 2.30 | 7.93 | 0.312 | 29.5 |
| BFB0412MA | -R00 / -F00 | 12 | 7.0 to 13.2 | 0.06 | 0.72 | | | | | | |
| BFB0405HA | / -F00 | 5 | 4.0 to 6.0 | 0.17 | 0.85 | 7500 | 0.074 | 2.61 | 10.85 | 0.427 | 32.5 |
| BFB0412HA | -R00 / -F00 | 12 | 7.0 to 13.2 | 0.08 | 0.96 | | | | | | |
| BFB0405HHA | / -F00 | 5 | 4.0 to 6.0 | 0.22 | 1.10 | 8500 | 0.085 | 3.00 | 14.33 | 0.564 | 34.5 |
| BFB0412HHA | -R00 / -F00 | 12 | 7.0 to 13.2 | 0.10 | 1.20 | | | | | | |

* Function type is optional.
 * The max. air flow and the speed are measured in free air ; max. air pressure is measured at zero air flow.
 * Noise is measured in anechoic chamber in free air, one meter from intake side.
 * All readings are typical values at rated voltage.
 * Specifications are subject to change without notice.

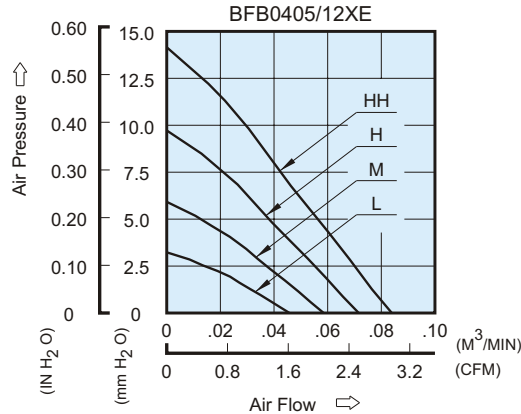
BFB 42 x 45 x 19 MM SERIES

DIMENSIONS DRAWING



- * Bearing Type
Ball Bearings
- * Material
Impeller & Frame : Plastic (UL 94V-0)
- * Lead Wires :
UL 1061 AWG #26 OR Equivalent
Red Wire Positive (+)
Black Wire Negative (-)
- * Weight : 22g (0.78 oz)

P & Q CURVE (AT RATED VOLTAGE)

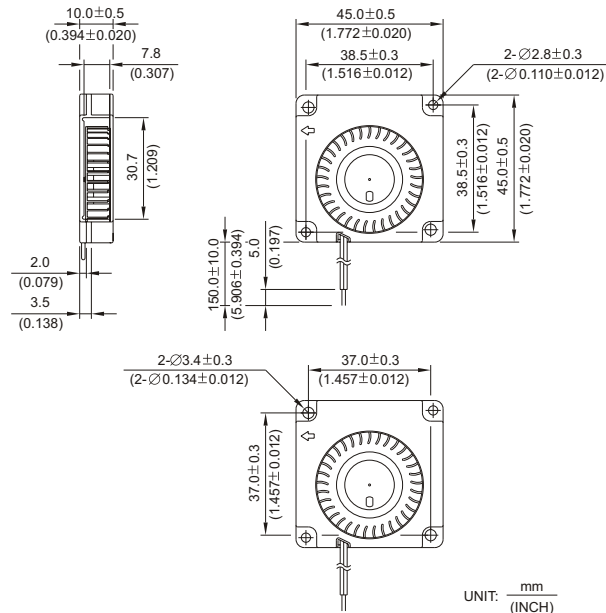


| MODEL | | Rated Voltage | Operating Voltage Range | Rated Current | Rated Input Power | Speed | Maximum Air Flow | | Maximum Air Pressure | | Noise |
|------------|-------------|---------------|-------------------------|---------------|-------------------|--------|---------------------|------|----------------------|---------------------|-------|
| PART NO. | FUNCTION | VDC | VDC | Amp | Watt | R.P.M. | m ³ /min | CFM | mmH ₂ O | IN H ₂ O | dB-A |
| BFB0405LE | -R00 / -F00 | 5 | 4.0 to 5.5 | 0.06 | 0.30 | 3500 | 0.046 | 1.62 | 3.23 | 0.127 | 26.0 |
| BFB0412LE | -R00 / -F00 | 12 | 10.0 to 13.8 | 0.04 | 0.48 | | | | | | |
| BFB0405ME | -R00 / -F00 | 5 | 4.0 to 5.5 | 0.13 | 0.65 | 4500 | 0.059 | 2.08 | 5.92 | 0.233 | 30.0 |
| BFB0412ME | -R00 / -F00 | 12 | 10.0 to 13.8 | 0.05 | 0.60 | | | | | | |
| BFB0405HE | -R00 / -F00 | 5 | 4.0 to 5.5 | 0.22 | 1.10 | 5500 | 0.072 | 2.54 | 9.72 | 0.383 | 35.5 |
| BFB0412HE | -R00 / -F00 | 12 | 10.0 to 13.8 | 0.07 | 0.84 | | | | | | |
| BFB0412HHE | -R00 / -F00 | 12 | 10.0 to 13.8 | 0.11 | 1.32 | 6500 | 0.084 | 2.97 | 14.15 | 0.557 | 39.5 |

* Function type is optional.
 * The max. air flow and the speed are measured in free air ; max. air pressure is measured at zero air flow.
 * Noise is measured in anechoic chamber in free air, one meter from intake side.
 * All readings are typical values at rated voltage.
 * Specifications are subject to change without notice.

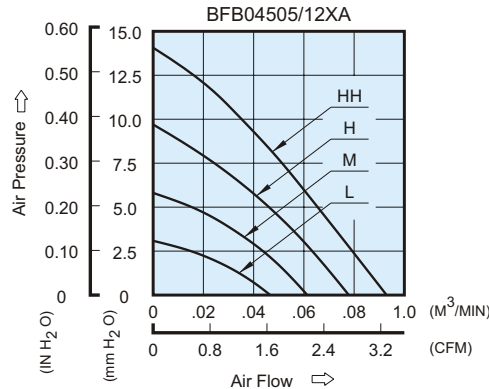
BFB 45 x 45 x 10 MM SERIES

DIMENSIONS DRAWING



- * Bearing Type
Ball Bearings
- * Material
Impeller & Frame : Plastic (UL 94V-0)
- * Lead Wires :
UL 1571 AWG #28 OR Equivalent
Red Wire Positive (+)
Black Wire Negative (-)
- * Weight : 13g (0.46 oz)

P & Q CURVE (AT RATED VOLTAGE)



| MODEL | | Rated Voltage | Operating Voltage Range | Rated Current | Rated Input Power | Speed | Maximum Air Flow | | Maximum Air Pressure | | Noise |
|-------------|------------|---------------|-------------------------|---------------|-------------------|--------|---------------------|------|----------------------|---------------------|-------|
| PART NO. | FUNCTION | VDC | VDC | Amp | Watt | R.P.M. | m ³ /min | CFM | mmH ₂ O | IN H ₂ O | dB-A |
| BFB04505LA | / -F00 | 5 | 4.0 to 6.0 | 0.07 | 0.35 | 3500 | 0.047 | 1.66 | 3.11 | 0.122 | 21.5 |
| BFB04512LA | -R00/ -F00 | 12 | 7.0 to 13.2 | 0.05 | 0.60 | | | | | | |
| BFB04505MA | / -F00 | 5 | 4.0 to 6.0 | 0.11 | 0.55 | 4500 | 0.061 | 2.15 | 5.78 | 0.228 | 27.0 |
| BFB04512MA | -R00/ -F00 | 12 | 7.0 to 13.2 | 0.06 | 0.72 | | | | | | |
| BFB04505HA | / -F00 | 5 | 4.0 to 6.0 | 0.17 | 0.85 | 5500 | 0.078 | 2.75 | 9.72 | 0.383 | 30.5 |
| BFB04512HA | -R00/ -F00 | 12 | 7.0 to 13.2 | 0.09 | 1.08 | | | | | | |
| BFB04505HHA | / -F00 | 5 | 4.0 to 6.0 | 0.24 | 1.20 | 6500 | 0.093 | 3.28 | 14.09 | 0.555 | 35.5 |
| BFB04512HHA | -R00/ -F00 | 12 | 7.0 to 13.2 | 0.14 | 1.68 | | | | | | |

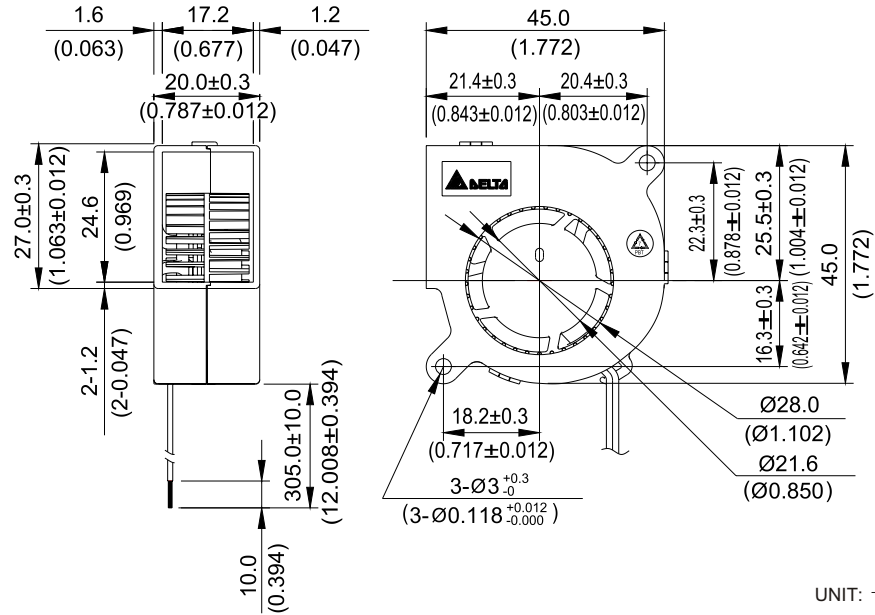
* Function type is optional.
 * The max. air flow and the speed are measured in free air ; max. air pressure is measured at zero air flow.
 * Noise is measured in anechoic chamber in free air, one meter from intake side.
 * All readings are typical values at rated voltage.
 * Specifications are subject to change without notice.

BFB 45 x 45 x 20 MM SERIES

New



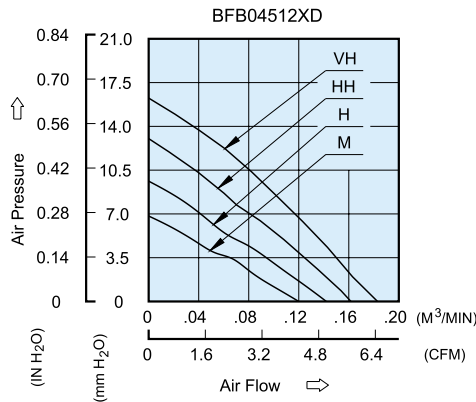
DIMENSIONS DRAWING



UNIT: $\frac{\text{mm}}{\text{INCH}}$

- * Bearing Type
Ball Bearings
- * Material
Impeller & Frame : Plastic (UL94V-0)
- * Lead Wires :
UL 1571 AWG#28 OR Equivalent
Red Wire Positive (+)
Black Wire Negative (-)
- * Weight : 17g (0.60 oz)

P & Q CURVE (AT RATED VOLTAGE)

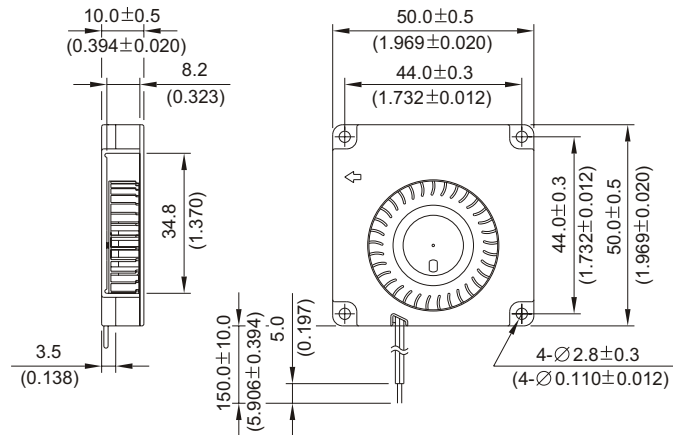


| MODEL | | Rated Voltage | Operating Voltage Range | Rated Current | Rated Input Power | Speed | Maximum Air Flow | | Maximum Air Pressure | | Noise |
|-------------|-------------|---------------|-------------------------|---------------|-------------------|--------|---------------------|------|----------------------|---------------------|-------|
| PART NO. | FUNCTION | VDC | VDC | Amp | Watt | R.P.M. | m ³ /min | CFM | mmH ₂ O | IN H ₂ O | dB-A |
| BFB04512MD | -R00 / -F00 | 12 | 5.0 to 13.8 | 0.07 | 0.84 | 3300 | 0.120 | 4.24 | 6.83 | 0.269 | 21.0 |
| BFB04512HD | -R00 / -F00 | 12 | 5.0 to 13.8 | 0.10 | 1.20 | 3800 | 0.139 | 4.91 | 9.29 | 0.366 | 24.5 |
| BFB04512HHD | -R00 / -F00 | 12 | 5.0 to 13.8 | 0.13 | 1.56 | 4200 | 0.161 | 5.68 | 12.95 | 0.510 | 28.0 |
| BFB04512VHD | -R00 / -F00 | 12 | 5.0 to 13.8 | 0.15 | 1.80 | 4500 | 0.170 | 6.01 | 14.15 | 0.557 | 30.5 |

* Function type is optional.
 * The max. air flow and the speed are measured in free air ; max. air pressure is measured at zero air flow.
 * Noise is measured in anechoic chamber in free air, one meter from intake side.
 * All readings are typical values at rated voltage.
 * Specifications are subject to change without notice.

BFB 50 x 50 x 10 MM SERIES

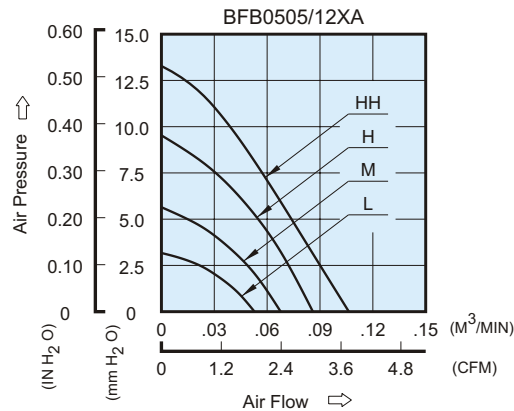
DIMENSIONS DRAWING



UNIT: $\frac{\text{mm}}{\text{INCH}}$

- * Bearing Type
Ball Bearings
- * Material
Impeller & Frame : Plastic (UL 94V-0)
- * Lead Wires :
UL 1571 AWG #28 OR Equivalent
Red Wire Positive (+)
Black Wire Negative (-)
- * Weight : 16.5g (0.58 oz)

P & Q CURVE (AT RATED VOLTAGE)

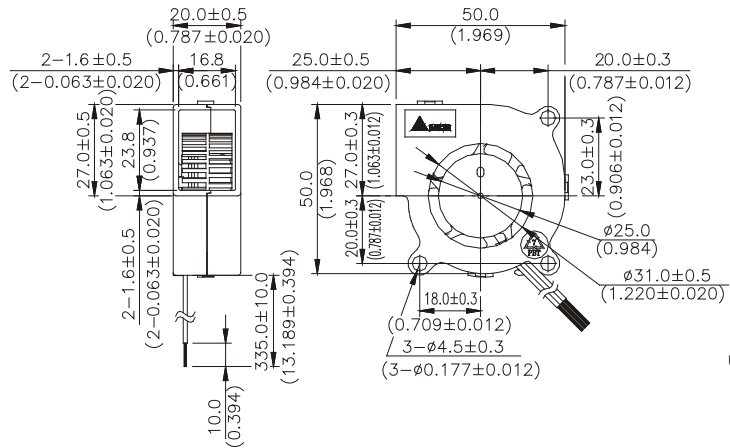


| MODEL | | Rated Voltage | Operating Voltage Range | Rated Current | Rated Input Power | Speed | Maximum Air Flow | | Maximum Air Pressure | | Noise |
|------------|------------|---------------|-------------------------|---------------|-------------------|--------|---------------------|------|----------------------|---------------------|-------|
| PART NO. | FUNCTION | VDC | VDC | Amp | Watt | R.P.M. | m ³ /min | CFM | mmH ₂ O | IN H ₂ O | dB-A |
| BFB0505LA | / -F00 | 5 | 4.0 to 6.0 | 0.07 | 0.35 | 3500 | 0.053 | 1.87 | 3.18 | 0.125 | 22.5 |
| BFB0512LA | -R00/ -F00 | 12 | 7.0 to 13.2 | 0.05 | 0.60 | | | | | | |
| BFB0505MA | / -F00 | 5 | 4.0 to 6.0 | 0.11 | 0.55 | 4500 | 0.068 | 2.40 | 5.64 | 0.222 | 28.0 |
| BFB0512MA | -R00/ -F00 | 12 | 7.0 to 13.2 | 0.07 | 0.84 | | | | | | |
| BFB0505HA | / -F00 | 5 | 4.0 to 6.0 | 0.18 | 0.90 | 5500 | 0.086 | 3.04 | 9.47 | 0.373 | 32.5 |
| BFB0512HA | -R00/ -F00 | 12 | 7.0 to 13.2 | 0.09 | 1.08 | | | | | | |
| BFB0512HHA | -R00/ -F00 | 12 | 7.0 to 13.2 | 0.14 | 1.68 | | | | | | |

* Function type is optional.
 * The max. air flow and the speed are measured in free air ; max. air pressure is measured at zero air flow.
 * Noise is measured in anechoic chamber in free air, one meter from intake side.
 * All readings are typical values at rated voltage.
 * Specifications are subject to change without notice.

BFB 50 x 50 x 20 MM SERIES

DIMENSIONS DRAWING

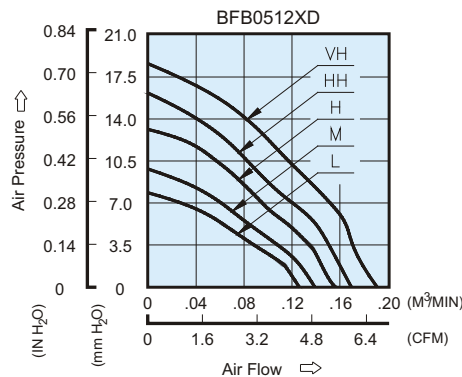


UNIT: $\frac{\text{mm}}{\text{INCH}}$



- * Bearing Type
Ball Bearings
- * Material
Impeller & Frame : Plastic(UL 94V-0)
- * Lead Wires :
UL 1061 AWG #26 OR Equivalent
Red Wire Positive(+)
Black Wire Negative(-)
- * Weight : 35g (1.23 OZ)

P & Q CURVE (AT RATED VOLTAGE)

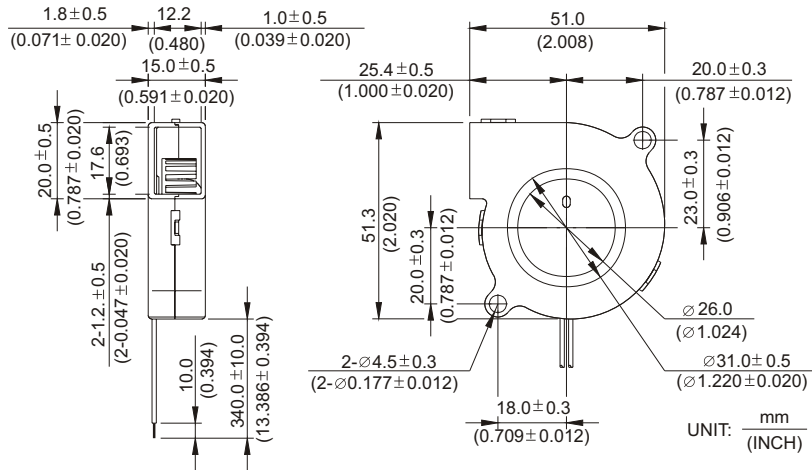
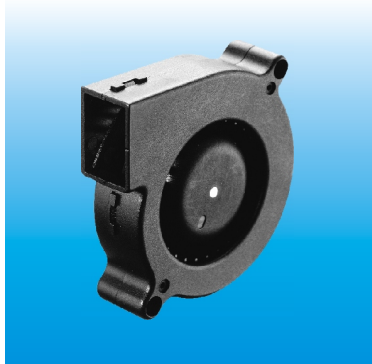


| MODEL | | Rated Voltage | Operating Voltage Range | Rated Current | Rated Input Power | Speed | Maximum Air Flow | | Maximum Air Pressure | | Noise |
|------------|-------------|---------------|-------------------------|---------------|-------------------|--------|----------------------|------|----------------------|---------------------|-------|
| PART NO. | FUNCTION | VDC | VDC | Amp | Watt | R.P.M. | m ³ / min | CFM | mmH ₂ O | IN H ₂ O | dB-A |
| BFB0512LD | -R00 / -F00 | 12 | 5.0 to 13.8 | 0.12 | 1.44 | 3700 | 0.126 | 4.45 | 7.85 | 0.309 | 28.0 |
| BFB0512MD | -R00 / -F00 | 12 | 5.0 to 13.8 | 0.13 | 1.56 | 4100 | 0.139 | 4.91 | 9.82 | 0.387 | 31.0 |
| BFB0512HD | -R00 / -F00 | 12 | 5.0 to 13.8 | 0.14 | 1.68 | 4500 | 0.156 | 5.51 | 13.12 | 0.517 | 33.8 |
| BFB0512HHD | -R00 / -F00 | 12 | 5.0 to 13.8 | 0.16 | 1.92 | 4900 | 0.165 | 5.83 | 16.15 | 0.636 | 36.5 |
| BFB0512VHD | -R00 / -F00 | 12 | 5.0 to 13.8 | 0.23 | 2.76 | 5300 | 0.191 | 6.75 | 18.60 | 0.732 | 38.5 |

* Function type is optional.
 * The max. air flow and the speed are measured in free air ; max. air pressure is measured at zero air flow.
 * Noise is measured in anechoic chamber in free air, one meter from intake side.
 * All readings are typical values at rated voltage.
 * Specifications are subject to change without notice.

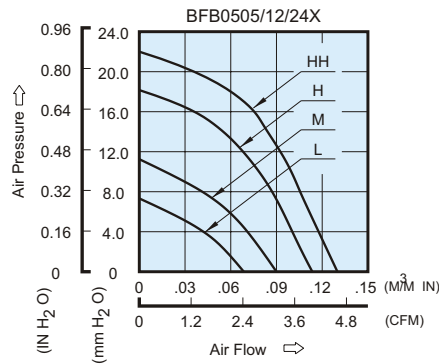
BFB 51 x 51 x 15 MM SERIES

DIMENSIONS DRAWING



- * Bearing Type
Ball Bearings
- * Material
Impeller & Frame : Plastic (UL 94V-0)
- * Lead Wires :
UL 1061 AWG #26 OR Equivalent
Red Wire Positive (+)
Black Wire Negative (-)
- * Weight : 28g (0.99 oz)

P & Q CURVE (AT RATED VOLTAGE)

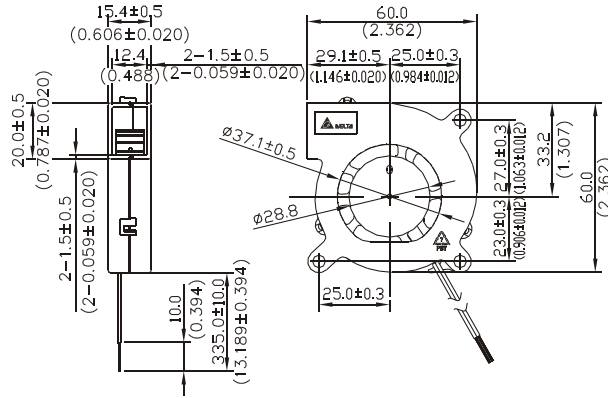


| MODEL | | Rated Voltage | Operating Voltage Range | Rated Current | Rated Input Power | Speed | Maximum Air Flow | | Maximum Air Pressure | | Noise |
|-----------|------------|---------------|-------------------------|---------------|-------------------|--------|---------------------|------|----------------------|---------------------|-------|
| PART NO. | FUNCTION | VDC | VDC | Amp | Watt | R.P.M. | m ³ /min | CFM | mmH ₂ O | IN H ₂ O | dB-A |
| BFB0505L | -R00/ -F00 | 5 | 4.0 to 5.5 | 0.14 | 0.70 | 3500 | 0.070 | 2.47 | 7.00 | 0.276 | 26.5 |
| BFB0512L | -R00/ -F00 | 12 | 10.0 to 13.8 | 0.07 | 0.84 | | | | | | |
| BFB0524L | -R00/ -F00 | 24 | 14.0 to 27.6 | 0.05 | 1.20 | | | | | | |
| BFB0505M | -R00/ -F00 | 5 | 4.0 to 5.5 | 0.33 | 1.65 | 4500 | 0.090 | 3.18 | 11.00 | 0.433 | 32.5 |
| BFB0512M | -R00/ -F00 | 12 | 10.0 to 13.8 | 0.10 | 1.20 | | | | | | |
| BFB0524M | -R00/ -F00 | 24 | 14.0 to 27.6 | 0.07 | 1.68 | | | | | | |
| BFB0512H | -R00/ -F00 | 12 | 10.0 to 13.8 | 0.16 | 1.92 | 5500 | 0.110 | 3.88 | 18.00 | 0.709 | 38.0 |
| BFB0524H | -R00/ -F00 | 24 | 14.0 to 27.6 | 0.09 | 2.16 | | | | | | |
| BFB0512HH | -R00/ -F00 | 12 | 10.0 to 13.8 | 0.21 | 2.52 | | | | | | |
| BFB0524HH | -R00/ -F00 | 24 | 14.0 to 27.6 | 0.11 | 2.64 | 6500 | 0.130 | 4.59 | 22.00 | 0.866 | 45.0 |

* Function type is optional.
 * The max. air flow and the speed are measured in free air ; max. air pressure is measured at zero air flow.
 * Noise is measured in anechoic chamber in free air, one meter from intake side.
 * All readings are typical values at rated voltage.
 * Specifications are subject to change without notice.

BFB 60 x 60 x 15 MM SERIES

DIMENSIONS DRAWING

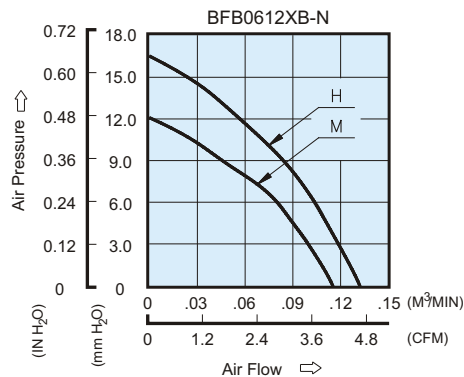


UNIT: $\frac{\text{mm}}{\text{(INCH)}}$



- * Bearing Type
Ball Bearings
- * Material
Impeller & Frame : Plastic(UL 94V-0)
- * Lead Wires :
UL 1430 AWG #26 OR Equivalent
Red Wire Positive(+)
Black Wire Negative(-)
- * Weight : 45g (1.59 OZ)

P & Q CURVE (AT RATED VOLTAGE)



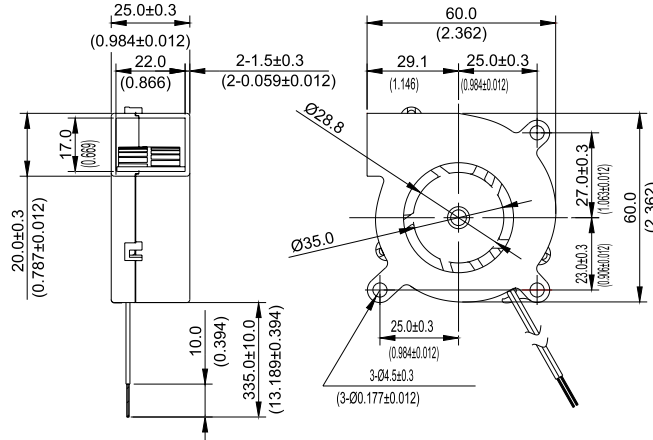
| MODEL | | | Rated Voltage | Operating Voltage Range | Rated Current | Rated Input Power | Speed | Maximum Air Flow | | Maximum Air Pressure | | Noise |
|------------------|------|-------------|---------------|-------------------------|---------------|-------------------|--------|---------------------|------|----------------------|---------------------|-------|
| PART NO. | REV. | FUNCTION | VDC | VDC | Amp | Watt | R.P.M. | m ³ /min | CFM | mmH ₂ O | IN H ₂ O | dB-A |
| BFB0612MB | -N | -R00 / -F00 | 12 | 5.0 to 13.8 | 0.15 | 1.80 | 4200 | 0.114 | 4.04 | 12.08 | 0.476 | 32.0 |
| BFB0612HB | -N | -R00 / -F00 | 12 | 5.0 to 13.8 | 0.18 | 2.16 | 4800 | 0.132 | 4.67 | 16.53 | 0.651 | 37.0 |

* Function type is optional.
 * The max. air flow and the speed are measured in free air ; max. air pressure is measured at zero air flow.
 * Noise is measured in anechoic chamber in free air, one meter from intake side.
 * All readings are typical values at rated voltage.
 * Specifications are subject to change without notice.

New

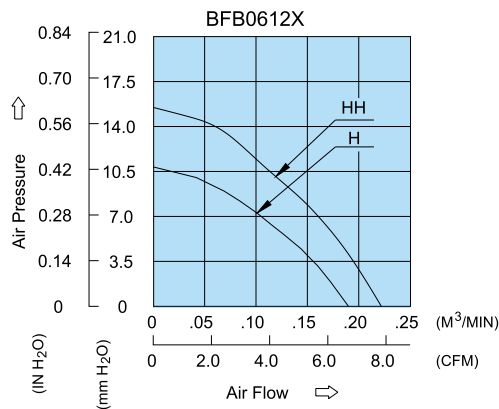
BFB 60 x 60 x 25 MM SERIES

DIMENSIONS DRAWING



UNIT: $\frac{\text{mm}}{\text{(INCH)}}$

P & Q CURVE (AT RATED VOLTAGE)



- * Bearing Type: Ball Bearings
- * Material: Impeller & Frame: Plastic (UL94V-0)
- * Lead Wires: UL 1430AWG#26 OR Equivalent
Red Wire Positive (+)
Black Wire Negative (-)
- * Weight: 51.0g (1.80 oz)

| MODEL | | Rated Voltage | Operating Voltage Range | Rated Current | Rated Input Power | Speed | Maximum Air Flow | | Maximum Air Pressure | | Noise |
|-----------|-------------|---------------|-------------------------|---------------|-------------------|--------|---------------------|------|----------------------|---------------------|-------|
| PART NO. | FUNCTION | VDC | VDC | Amp | Watt | R.P.M. | m ³ /min | CFM | mmH ₂ O | IN H ₂ O | dB-A |
| BFB0612H | -R00 / -F00 | 12 | 5.0 to 13.8 | 0.18 | 2.16 | 3200 | 0.190 | 6.71 | 10.86 | 0.428 | 34.0 |
| BFB0612HH | -R00 / -F00 | 12 | 5.0 to 13.8 | 0.24 | 2.88 | 3700 | 0.223 | 7.88 | 15.49 | 0.610 | 39.0 |

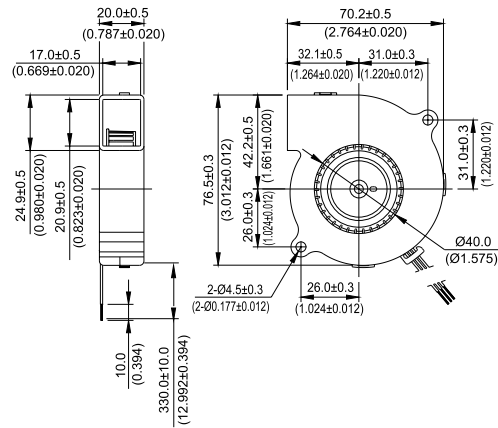
* Function type is optional.
 * The max. air flow and the speed are measured in free air ; max. air pressure is measured at zero air flow.
 * Noise is measured in anechoic chamber in free air, one meter from intake side.
 * All readings are typical values at rated voltage.
 * Specifications are subject to change without notice.

New



BFB 70 x 70 x 20 MM SERIES

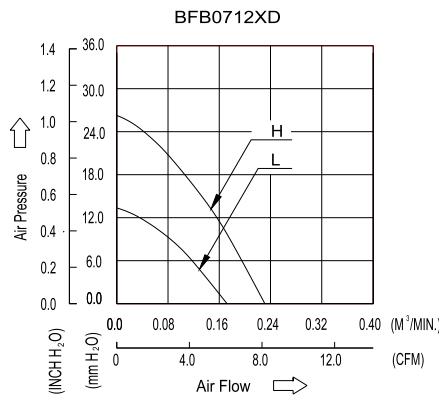
DIMENSIONS DRAWING



UNIT: $\frac{\text{mm}}{\text{(INCH)}}$

- * Bearing Type
Ball Bearings
- * Material
Impeller & Frame : Plastic (UL94V-0)
- * Lead Wires :
UL 1007 AWG #24 OR Equivalent
Red Wire Positive (+)
Black Wire Negative (-)
- * Weight : 58g (2.05 oz)

P & Q CURVE (AT RATED VOLTAGE)

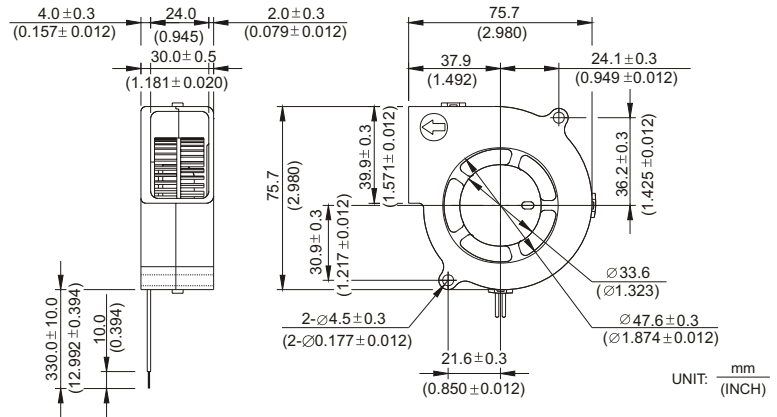


| MODEL | | Rated Voltage | Operating Voltage Range | Rated Current | Rated Input Power | Speed | Maximum Air Flow | | Maximum Air Pressure | | Noise |
|-----------|-------------|---------------|-------------------------|---------------|-------------------|--------|---------------------|------|----------------------|---------------------|-------|
| PART NO. | FUNCTION | VDC | VDC | Amp | Watt | R.P.M. | m ³ /min | CFM | mmH ₂ O | IN H ₂ O | dB-A |
| BFB0712LD | -R00 / -F00 | 12 | 7.0 to 13.8 | 0.13 | 1.56 | 2800 | 0.172 | 6.07 | 13.36 | 0.562 | 32.5 |
| BFB0712HD | -R00 / -F00 | 12 | 7.0 to 13.8 | 0.31 | 3.72 | 4000 | 0.231 | 8.52 | 26.27 | 1.034 | 42.0 |

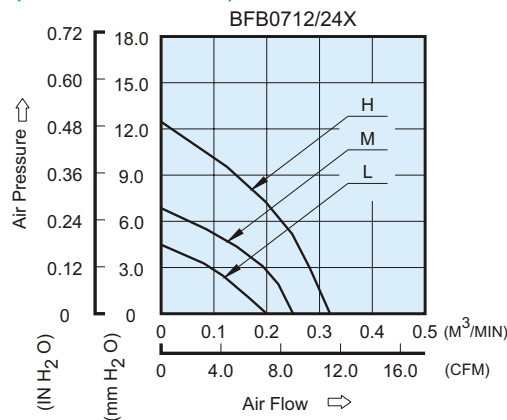
* Function type is optional.
* The max. air flow and the speed are measured in free air ; max. air pressure is measured at zero air flow.
* Noise is measured in anechoic chamber in free air, one meter from intake side.
* All readings are typical values at rated voltage.

BFB 75 x 75 x 30 MM SERIES

DIMENSIONS DRAWING



P & Q CURVE (AT RATED VOLTAGE)



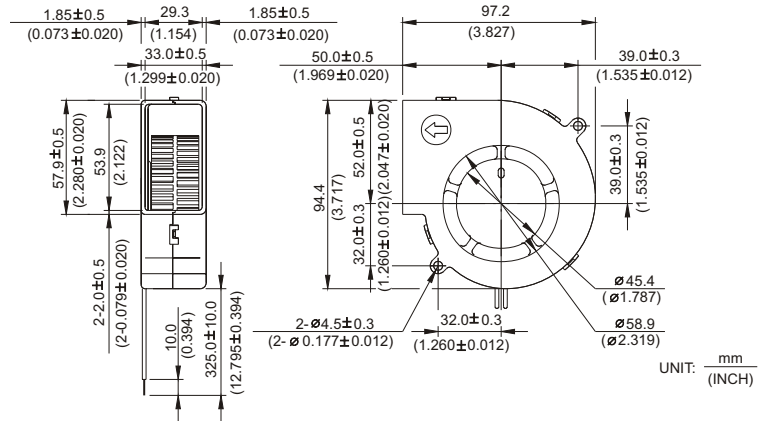
- * Bearing Type
Ball Bearings
- * Material
Impeller & Frame : Plastic (UL 94V-0)
- * Lead Wires :
UL 1007 AWG #24 OR Equivalent
Red Wire Positive (+)
Black Wire Negative (-)
- * Weight : 95g (3.35 oz)

| MODEL | | Rated Voltage | Operating Voltage Range | Rated Current | Rated Input Power | Speed | Maximum Air Flow | | Maximum Air Pressure | | Noise |
|----------|-------------|---------------|-------------------------|---------------|-------------------|--------|---------------------|-------|----------------------|---------------------|-------|
| PART NO. | FUNCTION | VDC | VDC | Amp | Watt | R.P.M. | m ³ /min | CFM | mmH ₂ O | IN H ₂ O | dB-A |
| BFB0712L | -R00 / -F00 | 12 | 7.0 to 13.8 | 0.06 | 0.72 | 1900 | 0.198 | 7.00 | 4.00 | 0.157 | 26.0 |
| BFB0724L | -R00 / -F00 | 24 | 14.0 to 27.6 | 0.05 | 1.20 | | | | | | |
| BFB0712M | -R00 / -F00 | 12 | 7.0 to 13.8 | 0.13 | 1.56 | 2350 | 0.255 | 9.00 | 6.80 | 0.268 | 32.0 |
| BFB0724M | -R00 / -F00 | 24 | 14.0 to 27.6 | 0.07 | 1.68 | | | | | | |
| BFB0712H | -R00 / -F00 | 12 | 7.0 to 13.8 | 0.22 | 2.64 | 2900 | 0.320 | 11.30 | 12.20 | 0.480 | 38.0 |
| BFB0724H | -R00 / -F00 | 24 | 14.0 to 27.6 | 0.12 | 2.88 | | | | | | |

* Function type is optional.
 * The max. air flow and the speed are measured in free air ; max. air pressure is measured at zero air flow.
 * Noise is measured in anechoic chamber in free air, one meter from intake side.
 * All readings are typical values at rated voltage.
 * Specifications are subject to change without notice.

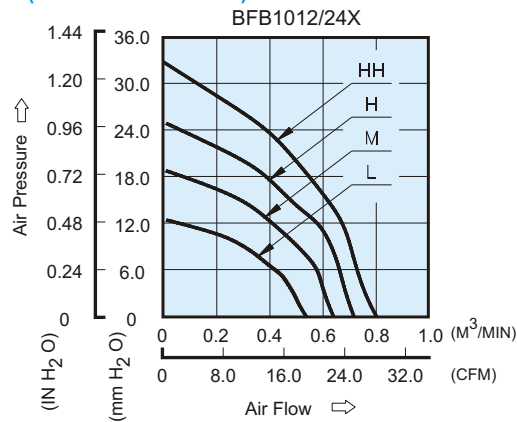
BFB 97 x 94 x 33 MM SERIES

DIMENSIONS DRAWING



- * Bearing Type
Ball Bearings
- * Material
Impeller & Frame : Plastic (UL 94V-0)
- * Lead Wires :
UL 1007 AWG #24 OR Equivalent
Red Wire Positive (+)
Black Wire Negative (-)
- * Weight : 160g (5.64 oz)

P & Q CURVE (AT RATED VOLTAGE)



| MODEL | | Rated Voltage | Operating Voltage Range | Rated Current | Rated Input Power | Speed | Maximum Air Flow | | Maximum Air Pressure | | Noise |
|-----------|-------------|---------------|-------------------------|---------------|-------------------|--------|---------------------|-------|----------------------|---------------------|-------|
| PART NO. | FUNCTION | VDC | VDC | Amp | Watt | R.P.M. | m ³ /min | CFM | mmH ₂ O | IN H ₂ O | dB-A |
| BFB1012L | -R00 / -F00 | 12 | 4.0 to 13.8 | 0.32 | 3.84 | 2700 | 0.540 | 19.07 | 12.70 | 0.500 | 45.0 |
| BFB1024L | -R00 / -F00 | 24 | 7.0 to 27.6 | 0.16 | 3.84 | | | | | | |
| BFB1012M | -R00 / -F00 | 12 | 4.0 to 13.8 | 0.57 | 6.84 | 3200 | 0.640 | 22.60 | 19.00 | 0.748 | 49.0 |
| BFB1024M | -R00 / -F00 | 24 | 7.0 to 27.6 | 0.26 | 6.24 | | | | | | |
| BFB1012H | -R00 / -F00 | 12 | 4.0 to 13.8 | 0.80 | 9.60 | 3600 | 0.720 | 25.43 | 25.40 | 1.000 | 52.0 |
| BFB1024H | -R00 / -F00 | 24 | 7.0 to 27.6 | 0.40 | 9.60 | | | | | | |
| BFB1012HH | -R00 / -F00 | 12 | 4.0 to 13.2 | 1.10 | 13.20 | 4000 | 0.800 | 28.25 | 33.00 | 1.299 | 55.0 |
| BFB1024HH | -R00 / -F00 | 24 | 7.0 to 27.6 | 0.55 | 13.20 | | | | | | |

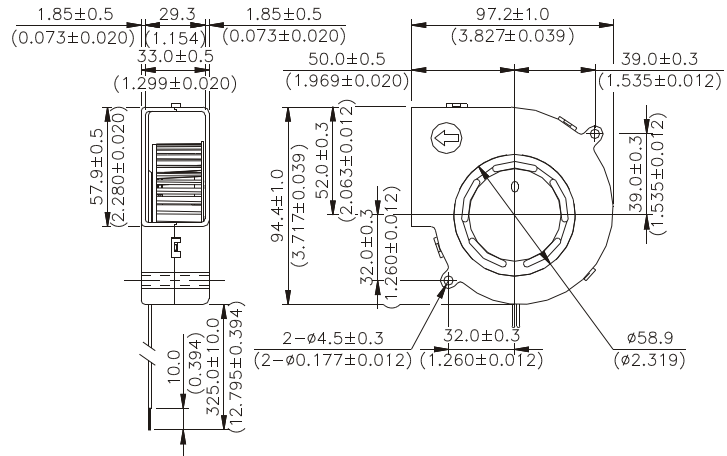
* Function type is optional.
 * The max. air flow and the speed are measured in free air ; max. air pressure is measured at zero air flow.
 * Noise is measured in anechoic chamber in free air, one meter from intake side.
 * All readings are typical values at rated voltage.
 * Specifications are subject to change without notice.

New



BFB 97 x 94 x 33 MM SERIES

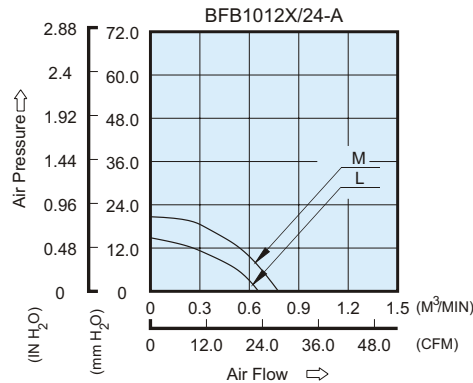
DIMENSIONS DRAWING



UNIT: $\frac{\text{mm}}{\text{(INCH)}}$

- * Bearing Type
Ball Bearings
- * Material
Impeller & Frame : Plastic (UL 94V-0)
- * Lead Wires :
UL 1007 AWG #24 OR Equivalent
Red Wire Positive (+)
Black Wire Negative (-)
- * Weight : 166g (5.85 oz)

P & Q CURVE (AT RATED VOLTAGE)



| MODEL | | | Rated Voltage | Operating Voltage Range | Rated Current | Rated Input Power | Speed | Maximum Air Flow | | Maximum Air Pressure | | Noise |
|----------|------|----------|---------------|-------------------------|---------------|-------------------|--------|---------------------|-------|----------------------|---------------------|-------|
| PART NO. | REV. | FUNCTION | VDC | VDC | Amp | Watt | R.P.M. | m ³ /min | CFM | mmH ₂ O | IN H ₂ O | dB-A |
| BFB1012L | -A | R00/F00 | 12 | 4.0 to 13.2 | 0.37 | 4.44 | 2700 | 0.656 | 23.17 | 14.85 | 0.585 | 49.5 |
| BFB1012M | -A | R00/F00 | 12 | 4.0 to 13.2 | 0.55 | 6.60 | 3200 | 0.777 | 27.44 | 22.68 | 0.893 | 52.5 |

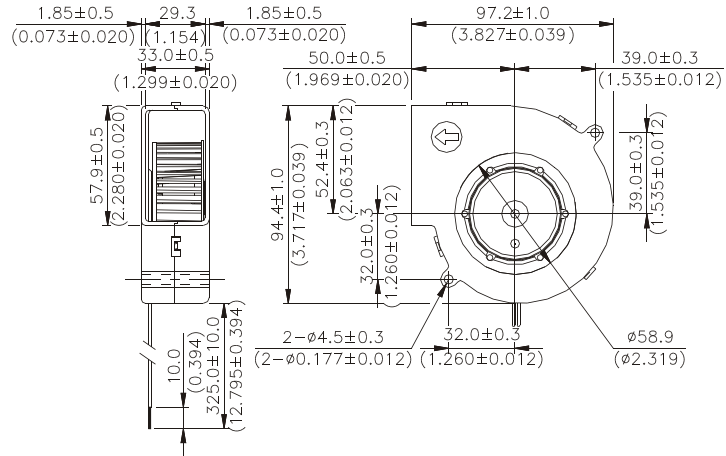
* Function type is optional.
 * The max. air flow and the speed are measured in free air ; max. air pressure is measured at zero air flow.
 * Noise is measured in anechoic chamber in free air, one meter from intake side.
 * All readings are typical values at rated voltage.
 * Specifications are subject to change without notice.

BFB 97 x 94 x 33 MM SERIES

New



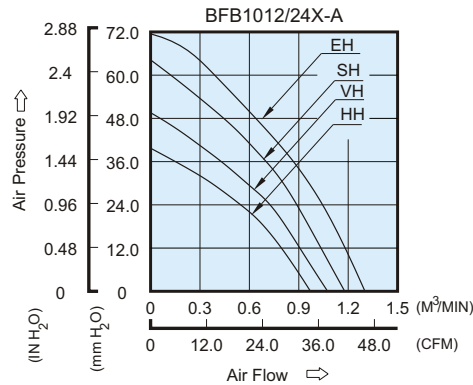
DIMENSIONS DRAWING



UNIT: $\frac{\text{mm}}{\text{(INCH)}}$

- * Bearing Type
Ball Bearings
- * Material
Impeller & Frame : Plastic (UL 94V-0)
- * Lead Wires :
UL 1007 AWG #24 OR Equivalent
Red Wire Positive (+)
Black Wire Negative (-)
- * Weight : 180g (6.35 oz)

P & Q CURVE (AT RATED VOLTAGE)

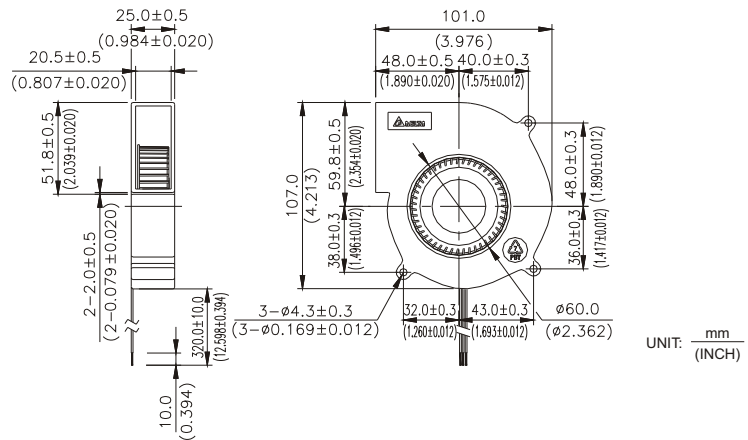


| MODEL | | | Rated Voltage | Operating Voltage Range | Rated Current | Rated Input Power | Speed | Maximum Air Flow | | Maximum Air Pressure | | Noise |
|-----------|------|----------|---------------|-------------------------|---------------|-------------------|--------|---------------------|-------|----------------------|---------------------|-------|
| PART NO. | REV. | FUNCTION | VDC | VDC | Amp | Watt | R.P.M. | m ³ /min | CFM | mmH ₂ O | IN H ₂ O | dB-A |
| BFB1012HH | -A | R00/F00 | 12 | 7.0 to 13.2 | 1.25 | 15.00 | 4000 | 0.971 | 34.28 | 39.70 | 1.564 | 57.0 |
| BFB1012VH | -A | R00/F00 | 12 | 7.0 to 13.2 | 1.50 | 18.00 | 4500 | 1.075 | 37.97 | 49.58 | 1.952 | 60.0 |
| BFB1012SH | -A | R00/F00 | 12 | 7.0 to 12.6 | 2.00 | 24.00 | 5000 | 1.179 | 41.65 | 64.23 | 2.529 | 63.0 |
| BFB1012EH | -A | R00/F00 | 12 | 7.0 to 12.6 | 2.45 | 29.40 | 5300 | 1.302 | 46.00 | 71.48 | 2.814 | 64.0 |

- * Function type is optional.
- * The max. air flow and the speed are measured in free air ; max. air pressure is measured at zero air flow.
- * Noise is measured in anechoic chamber in free air, one meter from intake side.
- * All readings are typical values at rated voltage.
- * Specifications are subject to change without notice.

BFB 101 x 107 x 25 MM SERIES

DIMENSIONS DRAWING

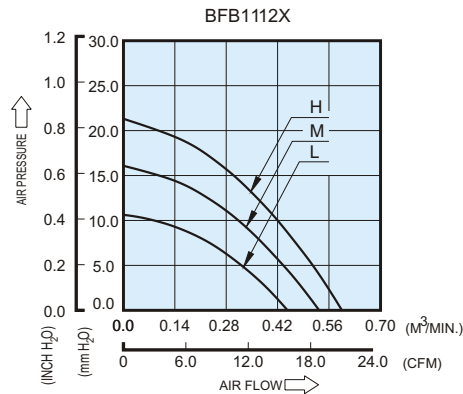


UNIT: mm
(INCH)



- * Bearing Type
Ball Bearings
- * Material
Impeller & Frame : Plastic(UL 94V-0)
- * Lead Wires :
UL 1007 AWG #24 OR Equivalent
Red Wire Positive(+)
Black Wire Negative(-)
- * Weight : 140.0g (4.94 OZ)

P & Q CURVE (AT RATED VOLTAGE)

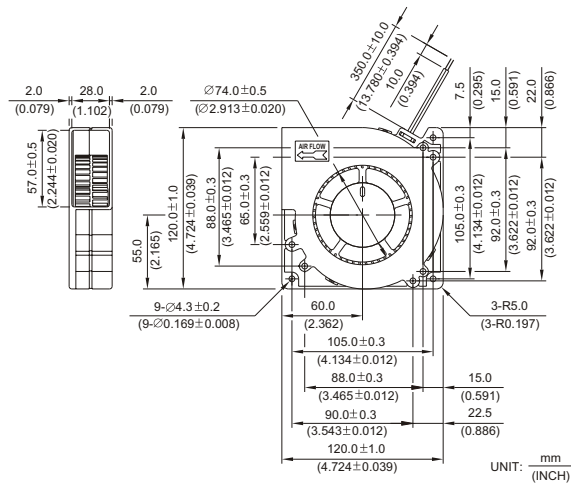
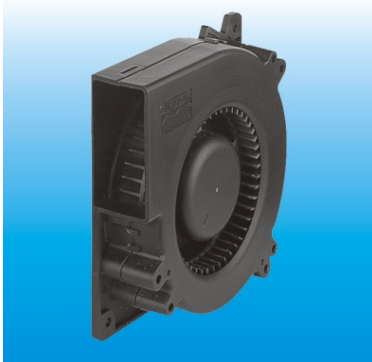


| MODEL | | Rated Voltage | Operating Voltage Range | Rated Current | Rated Input Power | Speed | Maximum Air Flow | | Maximum Air Pressure | | Noise |
|----------|-------------|---------------|-------------------------|---------------|-------------------|--------|---------------------|-------|----------------------|---------------------|-------|
| PART NO. | FUNCTION | VDC | VDC | Amp | Watt | R.P.M. | m ³ /min | CFM | mmH ₂ O | IN H ₂ O | dB-A |
| BFB1112L | -R00 / -F00 | 12 | 4.0 to 13.8 | 0.19 | 2.28 | 2400 | 0.447 | 15.79 | 10.65 | 0.413 | 41.0 |
| BFB1112M | -R00 / -F00 | 12 | 4.0 to 13.8 | 0.30 | 3.60 | 2800 | 0.533 | 18.82 | 16.09 | 0.633 | 45.0 |
| BFB1112H | -R00 / -F00 | 12 | 4.0 to 13.2 | 0.51 | 6.12 | 3150 | 0.595 | 21.02 | 21.31 | 0.839 | 49.0 |

* Function type is optional.
 * The max. air flow and the speed are measured in free air ; max. air pressure is measured at zero air flow.
 * Noise is measured in anechoic chamber in free air, one meter from intake side.
 * All readings are typical values at rated voltage.
 * Specifications are subject to change without notice.

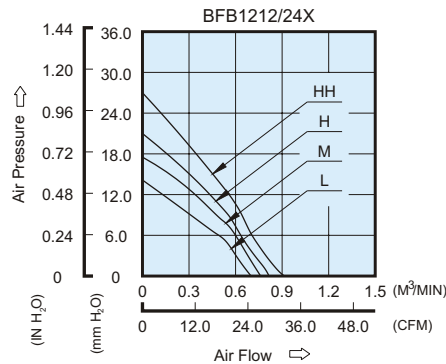
BFB 120 x 120 x 32 MM SERIES

DIMENSIONS DRAWING



- * Bearing Type
Ball Bearings
- * Material
Impeller & Frame : Plastic (UL 94V-0)
- * Lead Wires :
UL 1007 AWG #24 OR Equivalent
Red Wire Positive (+)
Black Wire Negative (-)
- * Weight : 230g (8.11 oz)

P & Q CURVE (AT RATED VOLTAGE)

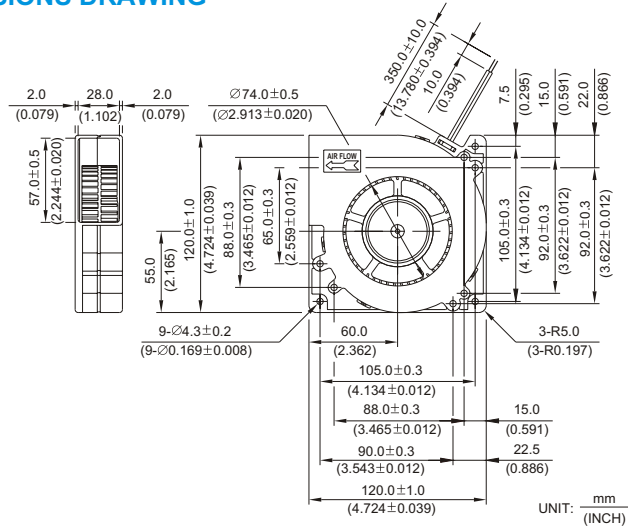
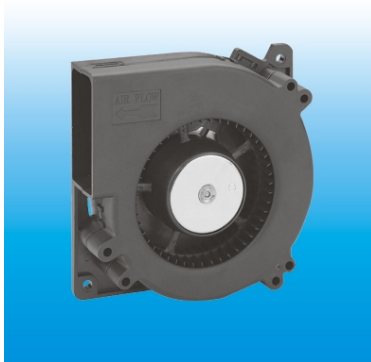


| MODEL | | Rated Voltage | Operating Voltage Range | Rated Current | Rated Input Power | Speed | Maximum Air Flow | | Maximum Air Pressure | | Noise |
|-----------|-------------|---------------|-------------------------|---------------|-------------------|--------|---------------------|-------|----------------------|---------------------|-------|
| PART NO. | FUNCTION | VDC | VDC | Amp | Watt | R.P.M. | m ³ /min | CFM | mmH ₂ O | IN H ₂ O | dB-A |
| BFB1212L | -R00 / -F00 | 12 | 4.0 to 13.8 | 0.40 | 4.80 | 2100 | 0.699 | 24.70 | 14.00 | 0.551 | 47.0 |
| BFB1224L | -R00 / -F00 | 24 | 7.0 to 27.6 | 0.24 | 5.76 | | | | | | |
| BFB1212M | -R00 / -F00 | 12 | 4.0 to 13.8 | 0.58 | 6.96 | 2300 | 0.760 | 26.85 | 17.50 | 0.689 | 48.5 |
| BFB1224M | -R00 / -F00 | 24 | 7.0 to 27.6 | 0.28 | 6.72 | | | | | | |
| BFB1212H | -R00 / -F00 | 12 | 4.0 to 13.8 | 0.82 | 9.84 | 2500 | 0.821 | 29.00 | 21.00 | 0.827 | 51.0 |
| BFB1224H | -R00 / -F00 | 24 | 7.0 to 27.6 | 0.35 | 8.40 | | | | | | |
| BFB1212HH | -R00 / -F00 | 12 | 4.0 to 13.8 | 1.10 | 13.20 | 2800 | 0.920 | 32.49 | 27.00 | 1.063 | 54.0 |

* Function type is optional.
 * The max. air flow and the speed are measured in free air ; max. air pressure is measured at zero air flow.
 * Noise is measured in anechoic chamber in free air, one meter from intake side.
 * All readings are typical values at rated voltage.
 * Specifications are subject to change without notice.

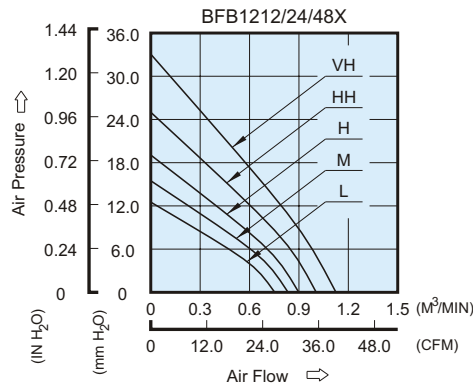
BFB 120 x 120 x 32 MM SERIES

DIMENSIONS DRAWING



- * Bearing Type
Ball Bearings
- * Material
Impeller & Frame : Plastic (UL 94V-0)
- * Lead Wires :
UL 1007 AWG #24 OR Equivalent
Red Wire Positive (+)
Black Wire Negative (-)
- * Weight : 230g (8.11 oz)

P & Q CURVE (AT RATED VOLTAGE)

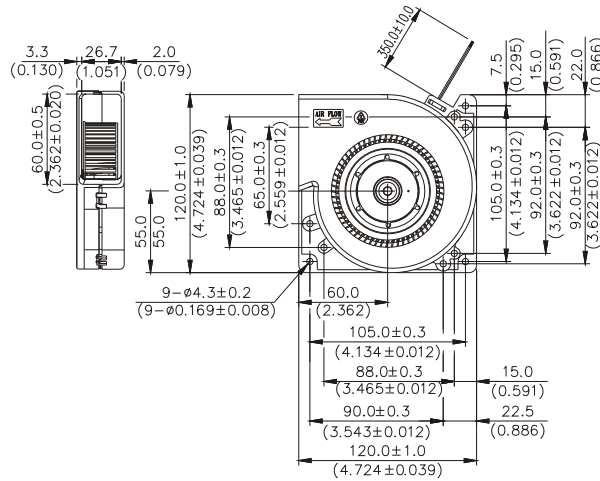


| MODEL | | Rated Voltage | Operating Voltage Range | Rated Current | Rated Input Power | Speed | Maximum Air Flow | | Maximum Air Pressure | | Noise |
|-----------|-------------|---------------|-------------------------|---------------|-------------------|--------|---------------------|-------|----------------------|---------------------|-------|
| PART NO. | FUNCTION | VDC | VDC | Amp | Watt | R.P.M. | m ³ /min | CFM | mmH ₂ O | IN H ₂ O | dB-A |
| BFB1248L | -R00 / -F00 | 48 | 28.0 to 56.0 | 0.09 | 4.32 | 2100 | 0.750 | 26.49 | 12.50 | 0.492 | 47.0 |
| BFB1248M | -R00 / -F00 | 48 | 28.0 to 56.0 | 0.12 | 5.76 | 2300 | 0.830 | 29.31 | 15.50 | 0.610 | 48.5 |
| BFB1248H | -R00 / -F00 | 48 | 28.0 to 56.0 | 0.15 | 7.20 | 2500 | 0.890 | 31.43 | 19.00 | 0.748 | 51.0 |
| BFB1224HH | -R00 / -F00 | 24 | 7.0 to 27.6 | 0.54 | 12.96 | 2800 | 1.000 | 35.31 | 25.00 | 0.984 | 54.0 |
| BFB1248HH | -R00 / -F00 | 48 | 28.0 to 56.0 | 0.22 | 10.56 | | | | | | |
| BFB1212VH | -R00 / -F00 | 12 | 4.0 to 13.8 | 1.25 | 15.00 | 3100 | 1.120 | 39.55 | 33.00 | 1.299 | 56.5 |
| BFB1224VH | -R00 / -F00 | 24 | 7.0 to 27.6 | 0.60 | 14.40 | | | | | | |

* Function type is optional.
 * The max. air flow and the speed are measured in free air ; max. air pressure is measured at zero air flow.
 * Noise is measured in anechoic chamber in free air, one meter from intake side.
 * All readings are typical values at rated voltage.
 * Specifications are subject to change without notice.

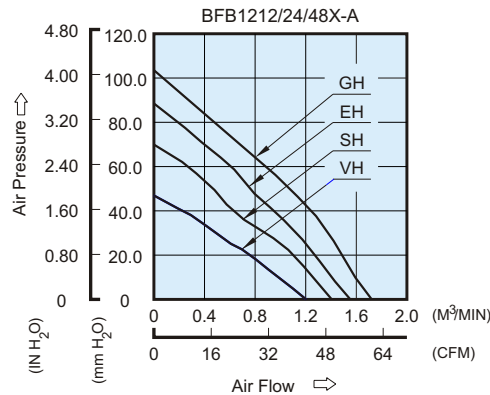
BFB 120 x 120 x 32 MM SERIES

DIMENSIONS DRAWING



UNIT: $\frac{\text{mm}}{\text{(INCH)}}$

P & Q CURVE (AT RATED VOLTAGE)



UNIT: $\frac{\text{mm}}{\text{(INCH)}}$

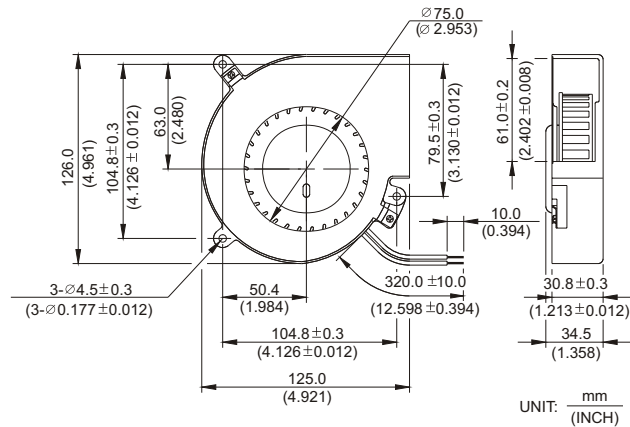
- * Bearing Type
Ball Bearings
- * Material
Impeller & Frame : Plastic (UL 94V-0)
- * Lead Wires :
UL 1430 AWG #22 OR Equivalent
Red Wire Positive (+)
Black Wire Negative (-)
- * Weight : 295.0g (10.40 oz)

| MODEL | | | Rated Voltage | Operating Voltage Range | Rated Current | Rated Input Power | Speed | Maximum Air Flow | | Maximum Air Pressure | | Noise |
|-----------|------|----------|---------------|-------------------------|---------------|-------------------|--------|---------------------|-------|----------------------|---------------------|-------|
| PART NO. | REV. | FUNCTION | VDC | VDC | Amp | Watt | R.P.M. | m ³ /min | CFM | mmH ₂ O | IN H ₂ O | dB-A |
| BFB1212VH | -A | R00/F00 | 12 | 5.5 to 13.8 | 1.47 | 17.64 | 3100 | 1.203 | 42.47 | 46.94 | 1.848 | 57.0 |
| BFB1224VH | -A | R00/F00 | 24 | 14.0 to 27.6 | 0.70 | 16.80 | | | | | | |
| BFB1248VH | -A | R00/F00 | 48 | 24.0 to 56.0 | 0.37 | 17.39 | | | | | | |
| BFB1212SH | -A | R00/F00 | 12 | 5.5 to 13.8 | 1.75 | 21.00 | 3600 | 1.406 | 49.67 | 69.95 | 2.754 | 59.5 |
| BFB1224SH | -A | R00/F00 | 24 | 14.0 to 27.6 | 0.90 | 21.60 | | | | | | |
| BFB1248SH | -A | R00/F00 | 48 | 24.0 to 56.0 | 0.49 | 23.52 | | | | | | |
| BFB1212EH | -A | R00/F00 | 12 | 5.5 to 13.8 | 2.37 | 28.44 | 4000 | 1.553 | 54.85 | 88.51 | 3.485 | 62.0 |
| BFB1224EH | -A | R00/F00 | 24 | 14.0 to 27.6 | 1.12 | 26.88 | | | | | | |
| BFB1248EH | -A | R00/F00 | 48 | 24.0 to 56.0 | 0.61 | 29.28 | | | | | | |
| BFB1212GH | -A | R00/F00 | 12 | 5.5 to 13.2 | 3.30 | 39.60 | 4400 | 1.710 | 60.39 | 104.00 | 4.094 | 65.0 |
| BFB1224GH | -A | R00/F00 | 24 | 14.0 to 27.6 | 1.60 | 38.40 | | | | | | |
| BFB1248GH | -A | R00/F00 | 48 | 24.0 to 53.0 | 0.80 | 38.40 | | | | | | |

* Function type is optional.
 * The max. air flow and the speed are measured in free air ; max. air pressure is measured at zero air flow.
 * Noise is measured in anechoic chamber in free air, one meter from intake side.
 * All readings are typical values at rated voltage.
 * Specifications are subject to change without notice.

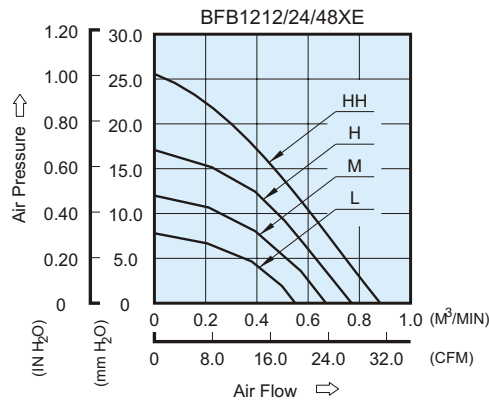
BFB 125 x 126 x 34 MM SERIES

DIMENSIONS DRAWING



- * Bearing Type
Ball Bearings
- * Material
Impeller: Plastic (UL 94V-0)
Frame: Plastic (UL 94V-0) & SECC
- * Lead Wires :
UL 1007 AWG #24 OR Equivalent
Red Wire Positive (+)
Black Wire Negative (-)
- * Weight : 325g (11.46 oz)

P & Q CURVE (AT RATED VOLTAGE)

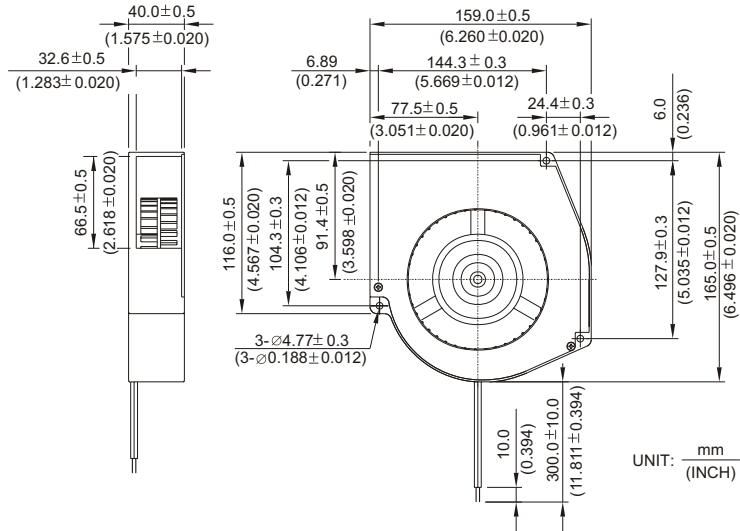


| MODEL | | Rated Voltage | Operating Voltage Range | Rated Current | Rated Input Power | Speed | Maximum Air Flow | | Maximum Air Pressure | | Noise |
|------------|-------------|---------------|-------------------------|---------------|-------------------|--------|---------------------|-------|----------------------|---------------------|-------|
| PART NO. | FUNCTION | VDC | VDC | Amp | Watt | R.P.M. | m ³ /min | CFM | mmH ₂ O | IN H ₂ O | dB-A |
| BFB1212LE | -R00 / -F00 | 12 | 7.0 to 13.8 | 0.24 | 2.88 | 1700 | 0.550 | 19.42 | 7.77 | 0.306 | 42.0 |
| BFB1224LE | -R00 / -F00 | 24 | 14.0 to 27.6 | 0.13 | 3.12 | | | | | | |
| BFB1248LE | -R00 / -F00 | 48 | 38.0 to 56.0 | 0.08 | 3.84 | | | | | | |
| BFB1212ME | -R00 / -F00 | 12 | 7.0 to 13.8 | 0.42 | 5.04 | 2000 | 0.670 | 23.66 | 12.00 | 0.472 | 46.0 |
| BFB1224ME | -R00 / -F00 | 24 | 14.0 to 27.6 | 0.23 | 5.52 | | | | | | |
| BFB1248ME | -R00 / -F00 | 48 | 38.0 to 56.0 | 0.12 | 5.76 | | | | | | |
| BFB1212HE | -R00 / -F00 | 12 | 7.0 to 13.8 | 0.68 | 8.16 | 2300 | 0.770 | 27.19 | 17.80 | 0.701 | 51.5 |
| BFB1224HE | -R00 / -F00 | 24 | 14.0 to 27.6 | 0.34 | 8.16 | | | | | | |
| BFB1248HE | -R00 / -F00 | 48 | 38.0 to 56.0 | 0.17 | 8.16 | | | | | | |
| BFB1212HHE | -R00 / -F00 | 12 | 7.0 to 13.2 | 1.06 | 12.70 | 2650 | 0.870 | 30.72 | 25.20 | 0.992 | 55.0 |
| BFB1224HHE | -R00 / -F00 | 24 | 14.0 to 26.0 | 0.60 | 14.40 | | | | | | |

* Function type is optional.
 * The max. air flow and the speed are measured in free air ; max. air pressure is measured at zero air flow.
 * Noise is measured in anechoic chamber in free air, one meter from intake side.
 * All readings are typical values at rated voltage.
 * Specifications are subject to change without notice.

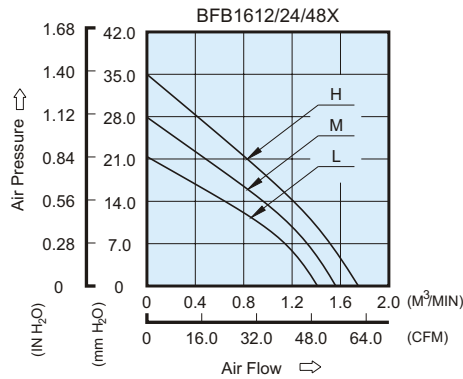
BFB 159 x 165 x 40 MM SERIES

DIMENSIONS DRAWING



- * Bearing Type
Ball Bearings
- * Material
Impeller & Frame : Plastic (UL 94V-0)
- * Lead Wires :
UL 1007 AWG #24 OR Equivalent
Red Wire Positive (+)
Black Wire Negative (-)
- * Weight : 588g (20.74 oz)

P & Q CURVE (AT RATED VOLTAGE)



| MODEL | | Rated Voltage | Operating Voltage Range | Rated Current | Rated Input Power | Speed | Maximum Air Flow | | Maximum Air Pressure | | Noise |
|----------|-------------|---------------|-------------------------|---------------|-------------------|--------|---------------------|-------|----------------------|---------------------|-------|
| PART NO. | FUNCTION | VDC | VDC | Amp | Watt | R.P.M. | m ³ /min | CFM | mmH ₂ O | IN H ₂ O | dB-A |
| BFB1612L | -R00 / -F00 | 12 | 7.0 to 13.2 | 0.80 | 9.60 | 1800 | 1.410 | 49.79 | 21.50 | 0.846 | 51.5 |
| BFB1624L | -R00 / -F00 | 24 | 14.0 to 26.4 | 0.40 | 9.60 | | | | | | |
| BFB1648L | -R00 / -F00 | 48 | 28.0 to 56.0 | 0.22 | 10.56 | | | | | | |
| BFB1612M | -R00 / -F00 | 12 | 7.0 to 13.2 | 1.10 | 13.20 | 2000 | 1.560 | 55.09 | 28.00 | 1.102 | 54.5 |
| BFB1624M | -R00 / -F00 | 24 | 14.0 to 26.4 | 0.56 | 13.44 | | | | | | |
| BFB1648M | -R00 / -F00 | 48 | 28.0 to 56.0 | 0.28 | 13.44 | | | | | | |
| BFB1612H | -R00 / -F00 | 12 | 7.0 to 13.2 | 1.43 | 17.16 | 2200 | 1.750 | 61.80 | 35.00 | 1.378 | 56.5 |
| BFB1624H | -R00 / -F00 | 24 | 14.0 to 26.4 | 0.74 | 17.16 | | | | | | |

* Function type is optional.
 * The max. air flow and the speed are measured in free air ; max. air pressure is measured at zero air flow.
 * Noise is measured in anechoic chamber in free air, one meter from intake side.
 * All readings are typical values at rated voltage.
 * Specifications are subject to change without notice.