

MICRO SWITCH
a Honeywell Division
FED. MFG. CODE 91929

SWITCH - TOGGLE

ITL1 SERIES CHART 1

CATALOG LISTING

THIS DRAWING COVERS A PROPRIETARY ITEM AND IS THE PROPERTY OF MICRO SWITCH, A DIVISION OF HONEYWELL. THIS DRAWING IS NOT TO BE COPIED OR USED WITHOUT THE APPROVAL OF MICRO SWITCH

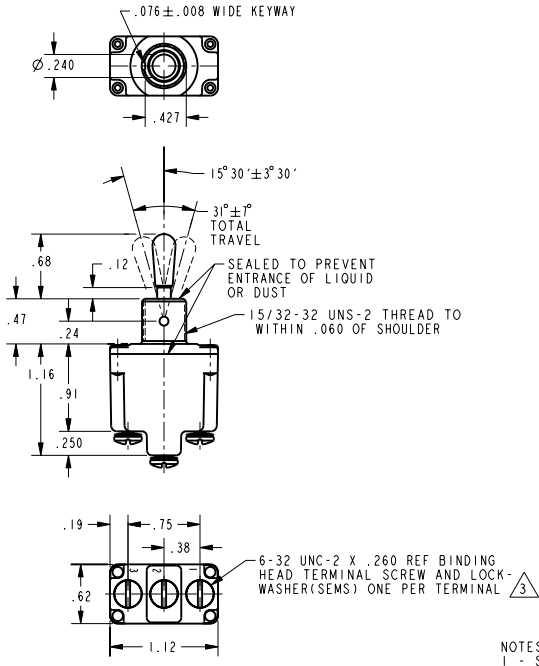
CATALOG LISTING
ITL1 SERIES CHART 1

ISSUE
M
23

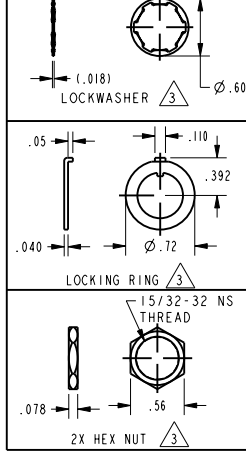
REVISIONS
A CO-94429
3 A
24 NOV 99

PTC/CAD 20
DRAWN
S A V 24 NOV 99
CHECK JAF 24 NOV 99
CHECK

REPLACES
PAGE 1 OF 1
RELEASE NO.



CATALOG LISTING	CIRCUIT MADE WITH TOGGLE LEVER IN			MILITARY STANDARD NUMBER	MILITARY RATING (AMPS)								
	KEYWAY SIDE (1-2)	CENTER (1-2)	OPPOSITE KEYWAY (2-3)		RESISTIVE LOAD		LAMP LOAD		INDUCTIVE LOAD				
					DC VOLTS	LAC VOLTS	VDC	VAC	VDC	VAC	VDC	VAC	
ITL1-1	ON	OFF	ON	MS24523-21	20	125	250	125	250	28	125	28	125
ITL1-2	OFF	NONE	ON	MS24523-22									
ITL1-3	ON	NONE	ON	MS24523-23									
ITL1-21	NONE	OFF	ON	MS24523-24									
ITL1-31	NONE	ON	ON	MS24523-33									
ITL1-4	MOM OFF	NONE	ON	MS24523-29									
ITL1-5	MOM ON	OFF	ON	MS24523-31									
ITL1-6	MOM ON	NONE	OFF	MS24523-30	15	.75	.5	15	6	4	2	10	7
ITL1-7	MOM ON	OFF	MOM ON	MS24523-27									
ITL1-8	MOM ON	NONE	ON	MS24523-26									
ITL1-51	NONE	ON	MOM ON	MS24523-32									
ITL1-61	MOM ON	OFF	NONE	MS24523-28									



- NOTES
- SWITCHES ARE CAPABLE OF WITHSTANDING A TEMPERATURE OF 160° F CONTINUOUSLY AT FULL RATED LOAD
 - CIRCUIT DESIGNATION, MICRO SWITCH CATALOG LISTING AND "MS" NUMBER MARKED ON SIDE OF SWITCH FURNISHED UNASSEMBLED
 - FOR TERMINAL COVER, SEE MICRO SWITCH CATALOG LISTING 5PA7
 - APPLIES ONLY TO "ON" AND "MOMENTARY ON" POSITIONS
 - THESE SWITCHES ARE QUALIFIED UNDER MIL-S-3950

THIRD ANGLE PROJECTION
SCALE FULL
DO NOT SCALE PRINT
UNLESS OTHERWISE SPECIFIED TOLERANCES ARE
ONE PLACE (.01) ±.030
TWO PLACE (.00) ±.015
THREE PLACE (.000) ±.005
ANGLES ±
WEIGHT .07 LBS APPROX

15A-125, <u>250</u> OR 277 VAC	CE	10A-125, <u>250</u> , 277 VAC	CE
1/2 HP-125VAC: 1 HP- <u>250</u> , 277 VAC		1/4 HP-125VAC: 1/2 HP- <u>250</u> , 277 VAC	
5A-125VAC "L" CODE L191	RU	3A-125VAC "L" CODE L192	RU

ANSI Y14.5M-1982 APPLIES