

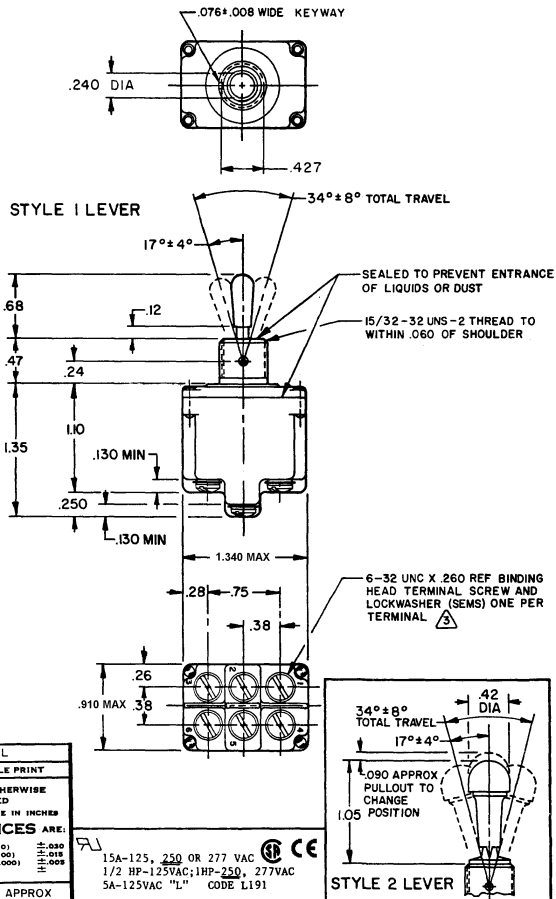
MICRO SWITCH
 FREEPORT, ILLINOIS, U.S.A.
 A DIVISION OF HONEYWELL
 FED. MFG. CODE 91929

SWITCH-TOGGLE

CATALOG LISTING
2TL1-12 SERIES
 CHART 1

MILITARY STANDARD NUMBER	CATALOG LISTING	AVAILABLE LOCKING COMBINATIONS FOR CONFIGURATION SEE LETTERED DETAILS	STYLE NUMBER	MILITARY RATING (AMPS)							
				RESISTIVE LOAD		LAMP LOAD		INDUCTIVE LOAD			
				DC VOLTS	AC VOLTS	VOLTS	VOLTS	VDC	VAC	VDC	VAC
27407-1	2TL1-12	NONE	1	20	.75	.5	15	6	7	4	15
27408-1	2TL1-12	A, B, D, E, F, G, H, J, K, L, M, N, P	2								

THIS DRAWING COVERS A PROPRIETARY ITEM AND IS THE PROPERTY OF MICRO SWITCH. A DIVISION OF HONEYWELL. THIS DRAWING IS NOT TO BE COPIED OR USED WITHOUT THE APPROVAL OF MICRO SWITCH.



LOCKING POSITION	"A"	"B"	"D"	"E"	"F"	LOCKWASHER
LOCKED IN THREE POSITIONS						
LOCKED IN CENTER AND EXTREME POSITION (KEYWAY SIDE)						
LOCKED OUT OF CENTER POSITION						
LOCKED IN CENTER POSITION						
LOCKED IN EXTREME POSITION (OPPOSITE KEYWAY)						
LOCKED OUT OF CENTER AND EXTREME POSITION (KEYWAY SIDE)						
LOCKED OUT OF CENTER POSITION (OPPOSITE KEYWAY)						
LOCKED IN CENTER AND EXTREME POSITION (OPPOSITE KEYWAY)						
LOCKED OUT OF CENTER POSITION (KEYWAY SIDE)						
LOCKED OUT OF EXTREME POSITION (KEYWAY SIDE)						
LOCKED OUT OF AND INTO EXTREME POSITION (OPPOSITE KEYWAY)						
LOCKED OUT OF AND INTO EXTREME POSITION (OPPOSITE KEYWAY)						
LOCKED OUT OF AND INTO EXTREME POSITION (KEYWAY SIDE)						
LOCKED OUT OF AND INTO EXTREME POSITION (KEYWAY SIDE)						
CIRCUIT MADE WITH TOGGLE LEVER IN						
KEYWAY SIDE		CENTER		OPPOSITE KEYWAY		
MAINTAINED POSITION		MAINTAINED POSITION		MAINTAINED POSITION		

- NOTES**
- 1 - SWITCHES ARE CAPABLE OF WITHSTANDING A TEMPERATURE OF 160°F CONTINUOUSLY AT FULL RATED LOAD
 - 2 - CIRCUIT DESIGNATION, MICRO SWITCH CATALOG LISTING AND MS NUMBER MARKED ON SIDE OF SWITCH
 - 3 - FURNISHED UNASSEMBLED
 - 4 - FOR TERMINAL COVER SEE MICRO SWITCH CAT. LIST. 5PA8
 - 5 - KEYWAY SHOWN ON LEFT SIDE
 - 6 - SUFFIX LETTER MUST BE ADDED FOR DESIRED TYPE OF TOGGLE LOCKING. SEE CHART FOR AVAILABLE LOCKING COMBINATIONS
 - 7 - THESE SWITCHES ARE QUALIFIED UNDER MIL-S-3950

CATALOG LISTING
2TL1-12 SERIES CHART 1
 ISSUE 4
 RELEASE NO. CO-78465
 REPLACES 2TL1-12 SERIES
 REVISIONS
 A 06/47
 B 03/54
 C 03/54
 D 03/54
 E 03/54
 F 03/54
 G 03/54
 H 03/54
 I 03/54
 J 03/54
 K 03/54
 L 03/54
 M 03/54
 N 03/54
 O 03/54
 P 03/54
 Q 03/54
 R 03/54
 S 03/54
 T 03/54
 U 03/54
 V 03/54
 W 03/54
 X 03/54
 Y 03/54
 Z 03/54
 DRAWN: KDR
 CHECK: KAS
 DATE: 06 FEB 04
 SCALE: FULL
 DO NOT SCALE PRINT
 UNLESS OTHERWISE NOTED
 DIMENSIONS ARE IN INCHES
 TOLERANCES ARE:
 ONE PLACE (.01)
 TWO PLACE (.001)
 THREE PLACE (.000)
 ANGLES
 WEIGHT .15 LB APPROX
 15A-125, 250 OR 277 VAC
 1/2 HP-125VAC; 1HP-250, 277VAC
 5A-125VAC "L" CODE L191
 FORMTEK

SCALE FULL
 DO NOT SCALE PRINT
 UNLESS OTHERWISE NOTED
 DIMENSIONS ARE IN INCHES
 TOLERANCES ARE:
 ONE PLACE (.01)
 TWO PLACE (.001)
 THREE PLACE (.000)
 ANGLES
 WEIGHT .15 LB APPROX

15A-125, 250 OR 277 VAC
 1/2 HP-125VAC; 1HP-250, 277VAC
 5A-125VAC "L" CODE L191

STYLE 2 LEVER